



BCS Motor mowers, BCS 2-wheel tractors

Two-wheel tractor 740 PS

29/04/2021

A70004 - Two-wheel tractor 740 PS.....	5
A02_0_116791 - ENGINE PROTECTIONS.....	9
A02_1_132271 - ENGINE PROTECTIONS.....	11
A.02.01.A0001_02 - A02_03 - ENGINE PROTECTIONS (740_746_750).....	13
A.02.01.A0001_03 - A02_03 - ENGINE PROTECTIONS (740_746_750).....	15
A.02.01.A0001_04 - ENGINE PROTECTIONS.....	17
B01_0_116809 - POWERSAFE CLUCH CONTROL.....	19
B01_1_124997 - POWERSAFE CLUCH CONTROL.....	22
B01_2_132294 - POWERSAFE CLUCH CONTROL.....	25
B.01.01.A0001_03 - POWERSAFE CLUCH CONTROL.....	27
B.01.01.A0001_04 - POWERSAFE CLUCH CONTROL.....	29
B.01.01.A0001_05 - POWERSAFE CLUCH CONTROL.....	31
C01_0_116836 - CYLINDER AND POWERSAFE CLUTCH.....	33
C01_1_125029 - CYLINDER AND POWERSAFE CLUTCH.....	35
C.01.01.A0001_02 - CYLINDER AND POWERSAFE CLUTCH.....	37
D01_0_116850 - POWERSAFE FILTER UNIT.....	39
D01_1_132326 - POWERSAFE FILTER UNIT.....	41
D.01.01.A0001_02 - POWERSAFE FILTER AND UNIT.....	43
D.01.01.A0001_03 - POWERSAFE FILTER AND UNIT.....	45
E01_0_116925 - POWERSAFE CLUTCH HUB.....	47
E01_1_132337 - POWERSAFE CLUTCH HUB.....	49
E.01.01.A0001_02 - POWERSAFE CLUTCH HUB.....	51
E.01.01.A0001_03 - POWERSAFE CLUTCH HUB.....	53
F01_0_116936 - ENGINE FLANGES.....	55
F01_1_132354 - ENGINE FLANGES.....	57
F.01.01.A0001_02 - ENGINE FLANGES.....	59
G02_0_117024 - GEARBOX.....	61
H03_0_117109 - GEARS.....	63
H03_1_132413 - GEARS.....	66



H.03.02.A0001_02 - GEARS.....	69
H.03.02.A0001_03 - GEARS.....	72
H.03.02.A0001_04 - GEARS.....	75
H.03.02.A0001_05 - GEARS.....	78
I03_0_117280 - WHEELS AXLE.....	81
J03_0_117488 - STEERING COLUMN.....	83
J03_1_132497 - STEERING COLUMN.....	85
J03_2_132500 - STEERING COLUMN (740_746_750).....	87
K03_0_117558 - HANDLEBAR.....	89
K03_1_132519 - HANDLEBAR.....	92
K.03.01.A0001_02 - HANDLEBAR.....	95
L03_0_117642 - HANDLEBAR CONTROLS.....	98
L03_1_132553 - HANDLEBAR CONTROLS.....	101
L.03.01.A0001_02 - HANDLEBAR CONTROLS.....	104
M03_1_132596 - CONTROLS.....	107
M.03.02.A0001_02 - CONTROLS.....	110
M03_0_117772 - CONTROLS.....	113
M.03.02.A0001_03 - CONTROLS.....	116
N02_1_132637 - BRAKES.....	119
N.02.01.A0001_02 - BRAKES.....	121
N02_0_117821 - BRAKES.....	123
P01_1_132651 - WHEELS.....	125
Q01_1_136416 - ELECTRIC STARTER.....	127
P01_0_117834 - WHEELS.....	129
R01_0_117889 - STICKERS.....	131
R02_1_132700 - STICKERS.....	133
Q01_0_117864 - ELECTRIC STARTER.....	135
R.02.01.A0001_02 - STICKERS.....	137
R.02.01.A0001_03 - STICKERS.....	139



S.01.01.A0001_00 - ENGINE COVER KIT..... 141
R02_0_117906 - STICKERS..... 143
Components index..... 145





BCS Motor mowers, BCS 2-wheel tractors - Two-wheel tractor 740 PS
A70004 - Two-wheel tractor 740 PS

Id	Description
A02_0_116791	ENGINE PROTECTIONS
A02_1_132271	ENGINE PROTECTIONS
A.02.01.A0001_02	A02_03 - ENGINE PROTECTIONS (740_746_750)
A.02.01.A0001_03	A02_03 - ENGINE PROTECTIONS (740_746_750)
A.02.01.A0001_04	ENGINE PROTECTIONS
B01_0_116809	POWERSAFE CLUCH CONTROL
B01_1_124997	POWERSAFE CLUCH CONTROL
B01_2_132294	POWERSAFE CLUCH CONTROL
B.01.01.A0001_03	POWERSAFE CLUCH CONTROL
B.01.01.A0001_04	POWERSAFE CLUCH CONTROL
B.01.01.A0001_05	POWERSAFE CLUCH CONTROL
C01_0_116836	CYLINDER AND POWERSAFE CLUTCH
C01_1_125029	CYLINDER AND POWERSAFE CLUTCH
C.01.01.A0001_02	CYLINDER AND POWERSAFE CLUTCH
D01_0_116850	POWERSAFE FILTER UNIT
D01_1_132326	POWERSAFE FILTER UNIT
D.01.01.A0001_02	POWERSAFE FILTER AND UNIT
D.01.01.A0001_03	POWERSAFE FILTER AND UNIT
E01_0_116925	POWERSAFE CLUTCH HUB
E01_1_132337	POWERSAFE CLUTCH HUB
E.01.01.A0001_02	POWERSAFE CLUTCH HUB
E.01.01.A0001_03	POWERSAFE CLUTCH HUB
F01_0_116936	ENGINE FLANGES
F01_1_132354	ENGINE FLANGES
F.01.01.A0001_02	ENGINE FLANGES
G02_0_117024	GEARBOX
H03_0_117109	GEARS
H03_1_132413	GEARS
H.03.02.A0001_02	GEARS

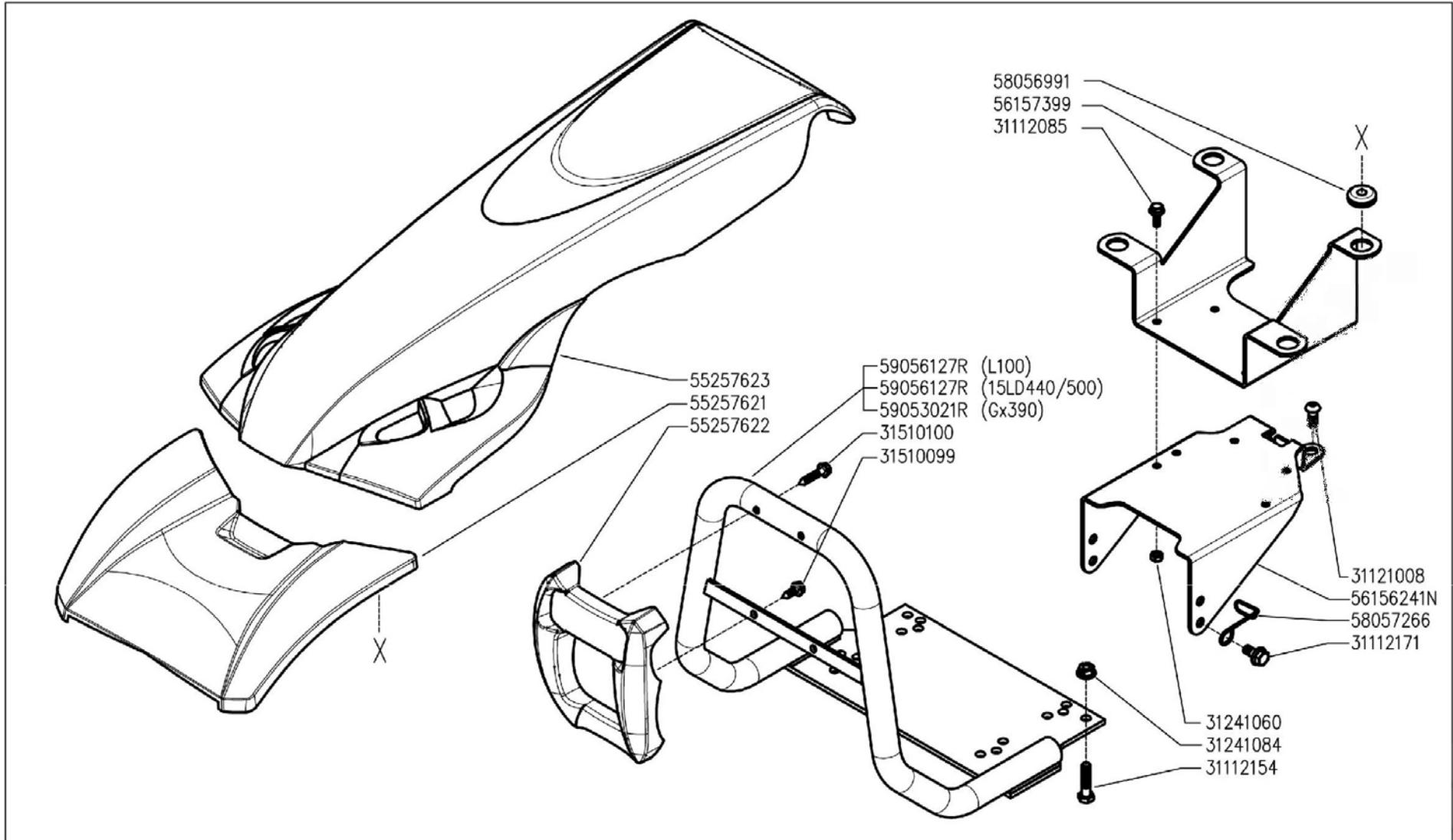


Id	Description
H.03.02.A0001_03	GEARS
H.03.02.A0001_04	GEARS
H.03.02.A0001_05	GEARS
I03_0_117280	WHEELS AXLE
J03_0_117488	STEERING COLUMN
J03_1_132497	STEERING COLUMN
J03_2_132500	STEERING COLUMN (740_746_750)
K03_0_117558	HANDLEBAR
K03_1_132519	HANDLEBAR
K.03.01.A0001_02	HANDLEBAR
L03_0_117642	HANDLEBAR CONTROLS
L03_1_132553	HANDLEBAR CONTROLS
L.03.01.A0001_02	HANDLEBAR CONTROLS
M03_1_132596	CONTROLS
M.03.02.A0001_02	CONTROLS
M03_0_117772	CONTROLS
M.03.02.A0001_03	CONTROLS
N02_1_132637	BRAKES
N.02.01.A0001_02	BRAKES
N02_0_117821	BRAKES
P01_1_132651	WHEELS
Q01_1_136416	ELECTRIC STARTER
P01_0_117834	WHEELS
R01_0_117889	STICKERS
R02_1_132700	STICKERS
Q01_0_117864	ELECTRIC STARTER
R.02.01.A0001_02	STICKERS
R.02.01.A0001_03	STICKERS
S.01.01.A0001_00	ENGINE COVER KIT



Id	Description
R02_0_117906	STICKERS



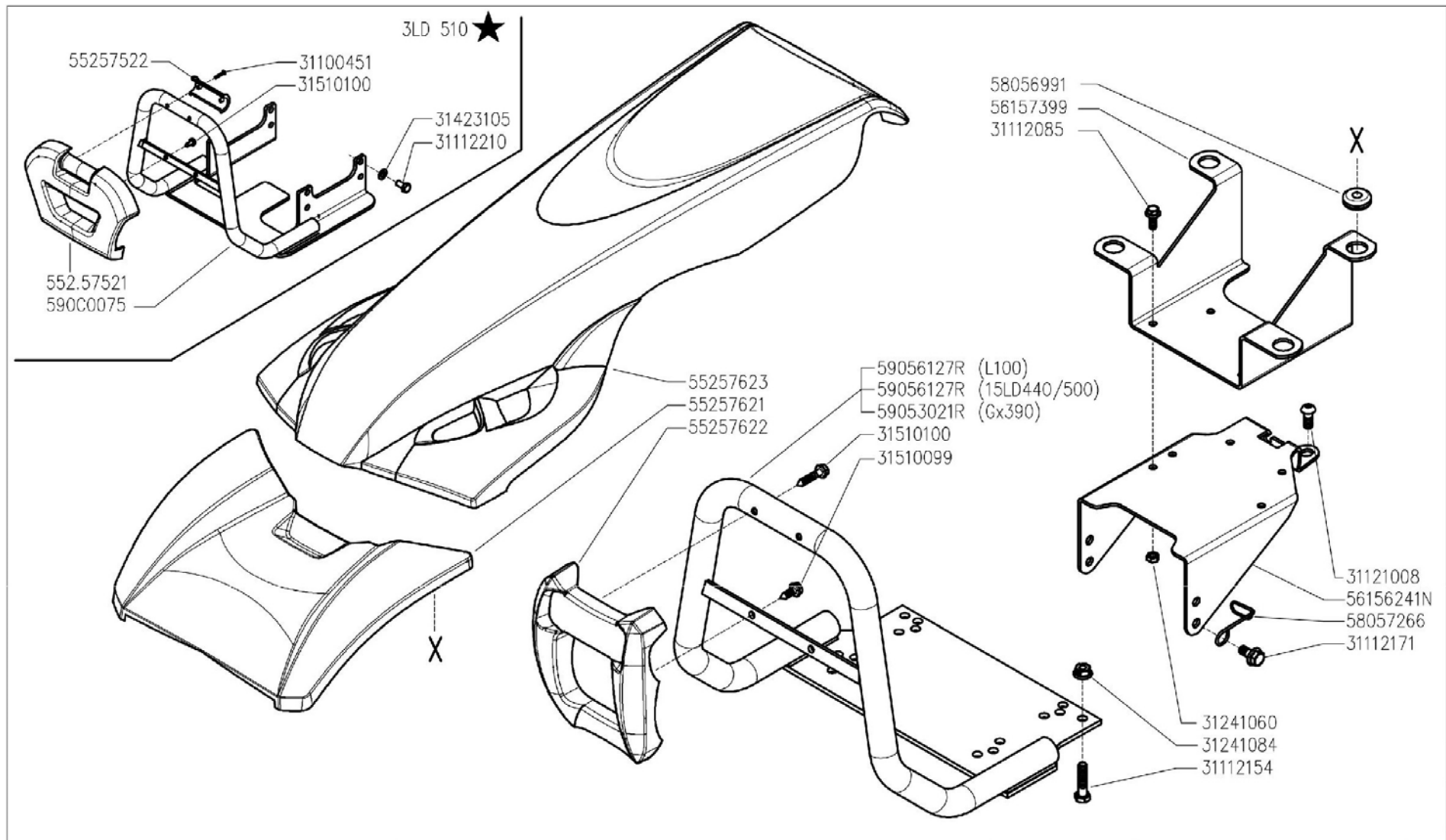


	700 serie PS PowerSafe®	PROTEZIONI MOTORE (740 / 746)			DALLA MACCHINA DE LA MAQUINA FROM THE MACHINE AB DER MASCHINE	N.	Rev. A02 0	05/2009	DWT/BCS - Scatola 1/5
		ENGINE PROTECTIONS PROTECCIONES MOTOR	PROTECTIONS MOTEUR MOTORSCHUTZ						



Pos.	Id	Q.ty	Description	Note
31112085	31112085	1	SCREW TE M6X16 DIN 6921 8G	
31112154	31112154	1	SCREW TE M8X40 UNI 5739 8G	
31112171	31112171	1	SCREW TE C/F M8X16 DIN 6921	
31121008	31121008	1	SCREW TBCEI M10X16 ISO 7380	
31241060	31241060	1	HEXAGON SELFLOCK NUT M6	
31241084	31241084	1	SELFLOCK NUT M8 6S	
31510099	31510099	1	RIBBED SCREW 6,3X38 UNI 6950	
31510100	31510100	1	RIBBED SCREW 6,3X19 UNI 6950	
55257621	55257621	1	GUARD	
55257622	55257622	1	GUARD	
55257623	55257623	1	GUARD	
56157399	56157399	1	HOLDER	
58056991	58056991	1	CABLE GLAND 90/200/30	
58057266	58057266	1	HOLDER	
56156241N	56156241N	1	TUNNEL	
59053021R	59053021R	1	COMPLETE BUMPERS	
59056127R	59056127R	1	COMPLETE BUMPERS	





700 serie PS
PowerSafe®

ENGINE PROTECTIONS
PROTECCIONES MOTOR

PROTEZIONI MOTORE
(740 / 746 / 750 ★)

PROTECTIONS MOTEUR
MOTORSCHUTZ

DALLA MACCHINA
DE LA MAQUINA
FROM THE MACHINE
AB DER MASCHINE

★ N.

AGGIORNAMENTO
APLAZAMIENTO
MISE A JOUR
REVISION
ANPASSUNG

A02

11/2010

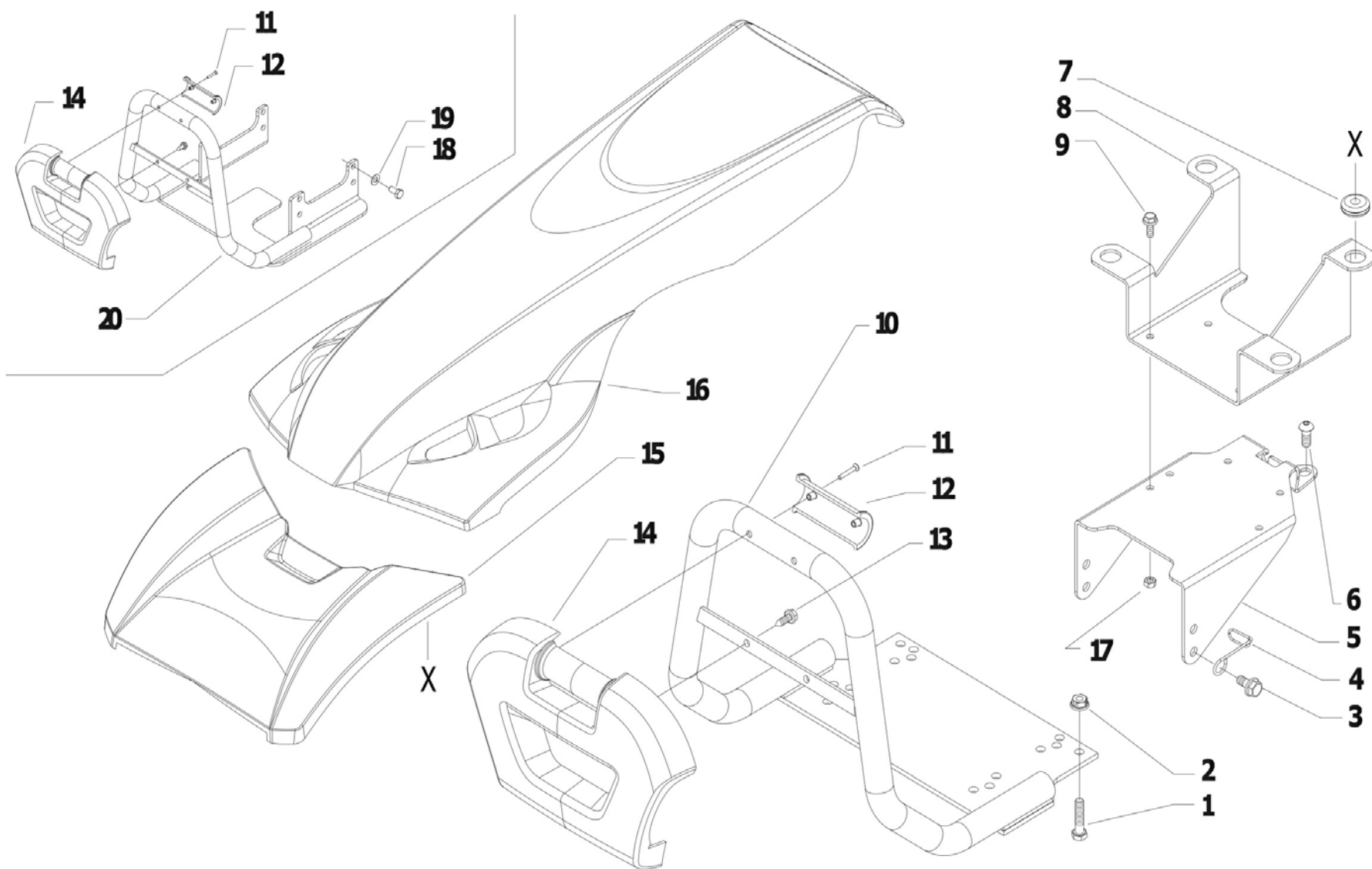
Rev. 1

DIE BCS - Scala 1:5



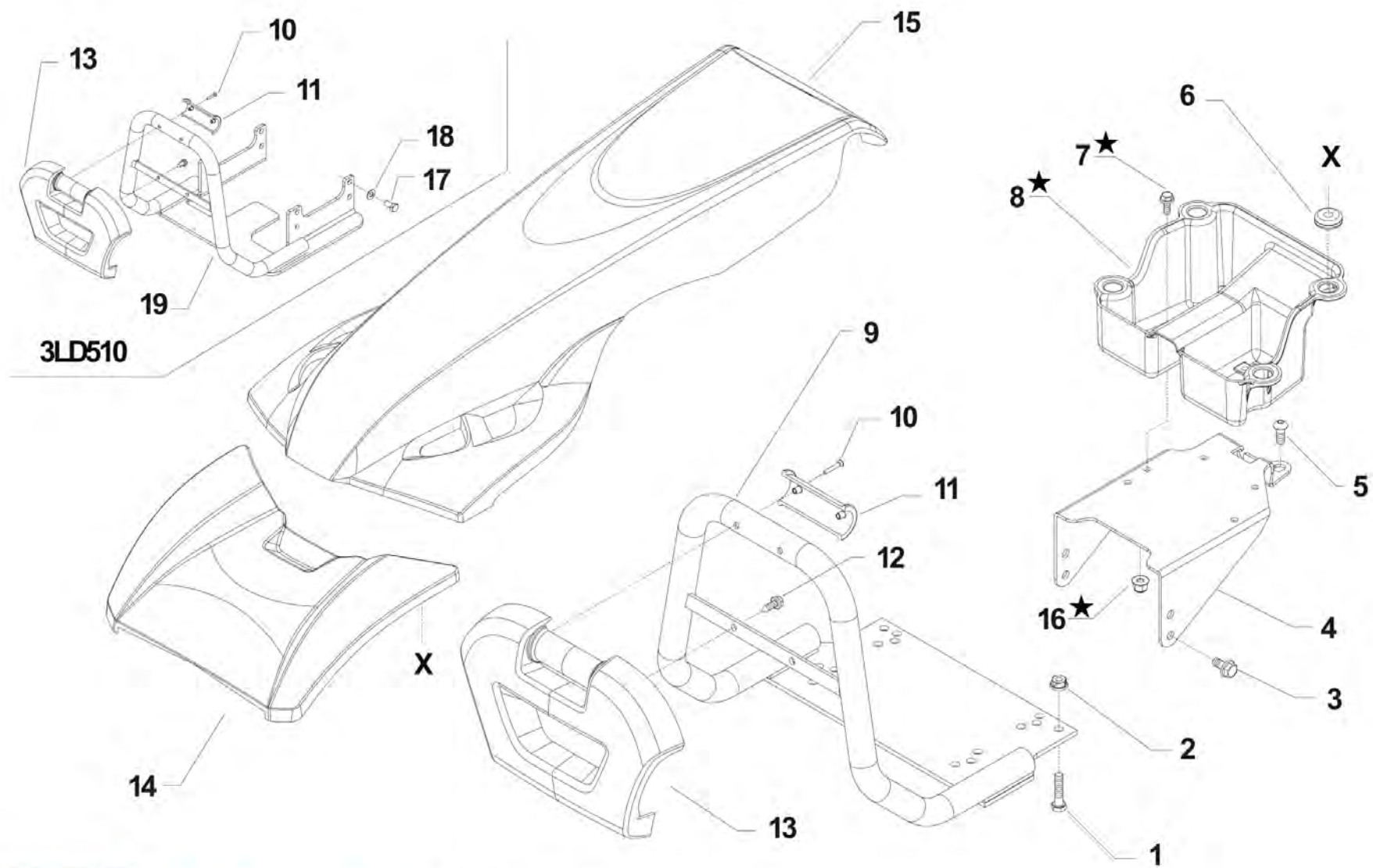
Pos.	Id	Q.ty	Description	Note
31100451	31100451	1	SCREW 3,5X25	
31112085	31112085	1	SCREW TE M6X16 DIN 6921 8G	
31112154	31112154	1	SCREW TE M8X40 UNI 5739 8G	
31112171	31112171	1	SCREW TE C/F M8X16 DIN 6921	
31112210	31112210	1	SCREW TE M10X20 UNI 5739	
31121008	31121008	1	SCREW TBCEI M10X16 ISO 7380	
31241060	31241060	1	HEXAGON SELFLOCK NUT M6	
31241084	31241084	1	SELFLOCK NUT M8 6S	
31423105	31423105	1	SPRING WASHER 10,5	
31510099	31510099	1	RIBBED SCREW 6,3X38 UNI 6950	
31510100	31510100	1	RIBBED SCREW 6,3X19 UNI 6950	
55257521	55257521	1	BCS FRONT PLASTIC DESCRIPTION MC 2010	
55257522	55257522	1	HALF BEARING	
55257621	55257621	1	GUARD	
55257622	55257622	1	GUARD	
55257623	55257623	1	GUARD	
56157399	56157399	1	HOLDER	
58056991	58056991	1	CABLE GLAND 90/200/30	
58057266	58057266	1	HOLDER	
590C0075	590C0075	1	COMPLETE BUMPERS	
56156241N	56156241N	1	TUNNEL	
59053021R	59053021R	1	COMPLETE BUMPERS	
59056127R	59056127R	1	COMPLETE BUMPERS	





Pos.	Id	Q.ty	Description	Note
1	31112154	1	SCREW TE M8X40 UNI 5739 8G	
2	31241084	1	SELFLOCK NUT M8 6S	
3	31112171	1	SCREW TE C/F M8X16 DIN 6921	
4	58057266	1	HOLDER	
5	56156241N	1	TUNNEL	
6	31121008	1	SCREW TBCEI M10X16 ISO 7380	
7	58056991	1	CABLE GLAND 90/200/30	
8	56157399	1	HOLDER	
9	31112085	1	SCREW TE M6X16 DIN 6921 8G	
10	59053021R	1	COMPLETE BUMPERS	For GX390 engine
10	59056127R	1	COMPLETE BUMPERS	For motors L100-15LD440/500
11	31100451	1	SCREW 3,5X25	Replaces 55253018
12	55257522	1	HALF BEARING	Replaces 55253018
13	31510100	1	RIBBED SCREW 6,3X19 UNI 6950	Replaces 55253018
14	55257521	1	BCS FRONT PLASTIC DESCRIPTION MC 2010	
15	55257621	1	GUARD	
16	55257623	1	GUARD	
17	31241060	1	HEXAGON SELFLOCK NUT M6	
18	31112210	1	SCREW TE M10X20 UNI 5739	
19	31423105	1	SPRING WASHER 10,5	
20	590C0065H	1	COMPLETE BUMPER	



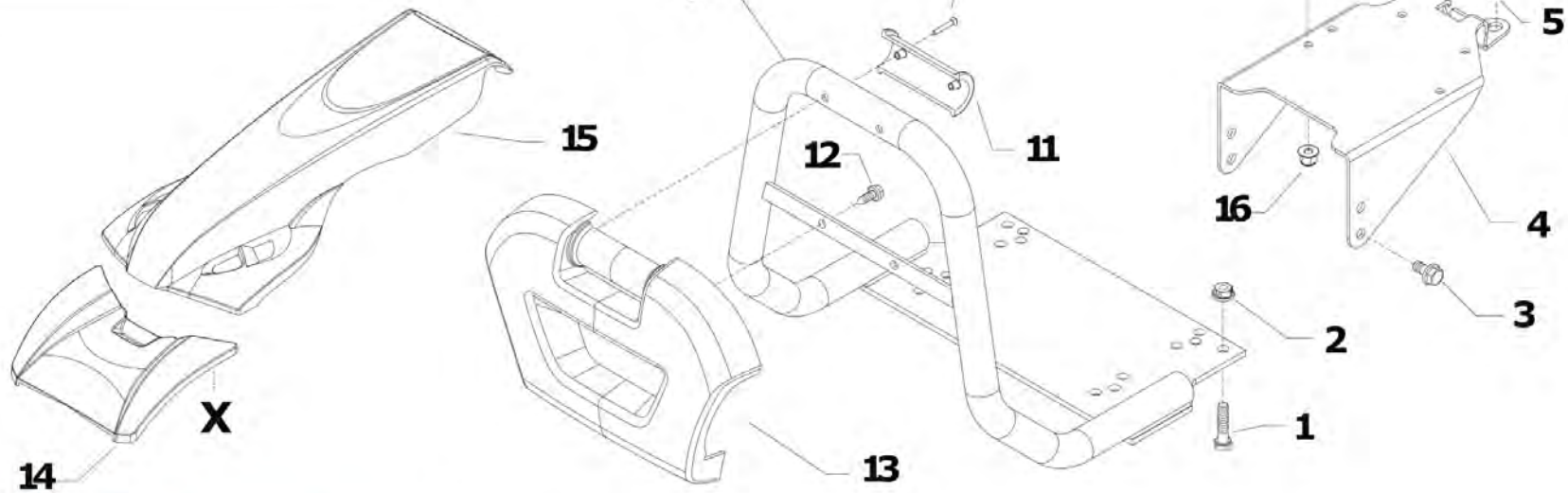
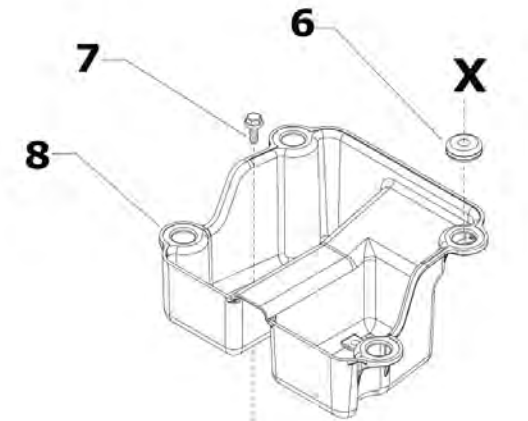
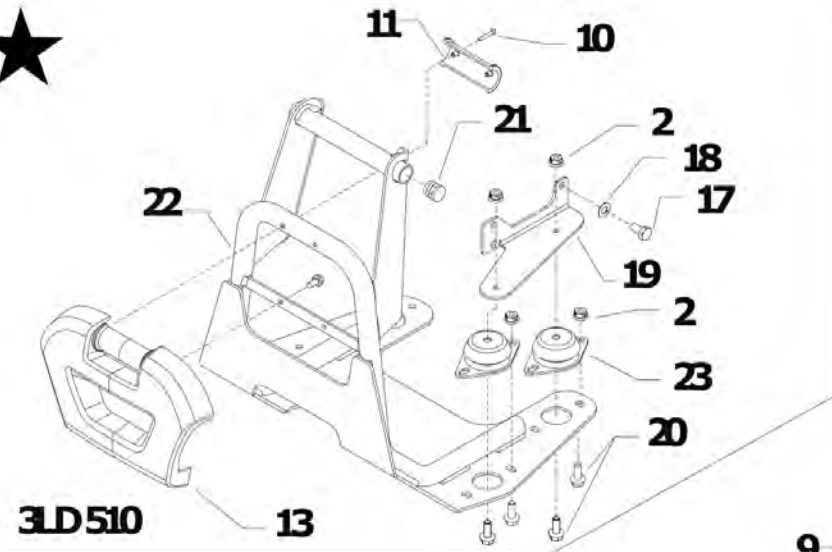


i = info - stop 2 sec. ★ = new part



Pos.	Id	Q.ty	Description	Note
1	31112154		SCREW TE M8X40 UNI 5739 8G	
2	31241084		SELFLOCK NUT M8 6S	
3	31112171		SCREW TE C/F M8X16 DIN 6921	
4	56156241N		TUNNEL	
5	31121008		SCREW TBCEI M10X16 ISO 7380	
6	58056991		CABLE GLAND 90/200/30	
7	31112081		SCREW TE C/F M6X20 DIN 6921 8G	
8	552C1001		FAIRINGS BOX	REPLACES 56157399
9	59053021R		COMPLETE BUMPERS	GX390
9	59056127R		COMPLETE BUMPERS	L100 - 15LD440 - 15LD500
10	31100451		SCREW 3,5X25	
11	55257522		HALF BEARING	
12	31510100		RIBBED SCREW 6,3X19 UNI 6950	
13	55257521		BCS FRONT PLASTIC DESCRIPTION MC 2010	
14	55257621		GUARD	
15	55257623		GUARD	
16	31241066		SELFLOCK M6 FL NY DIN 6926	
17	31112210		SCREW TE M10X20 UNI 5739	
18	31423105		SPRING WASHER 10,5	
19	590C0065H		COMPLETE BUMPER	



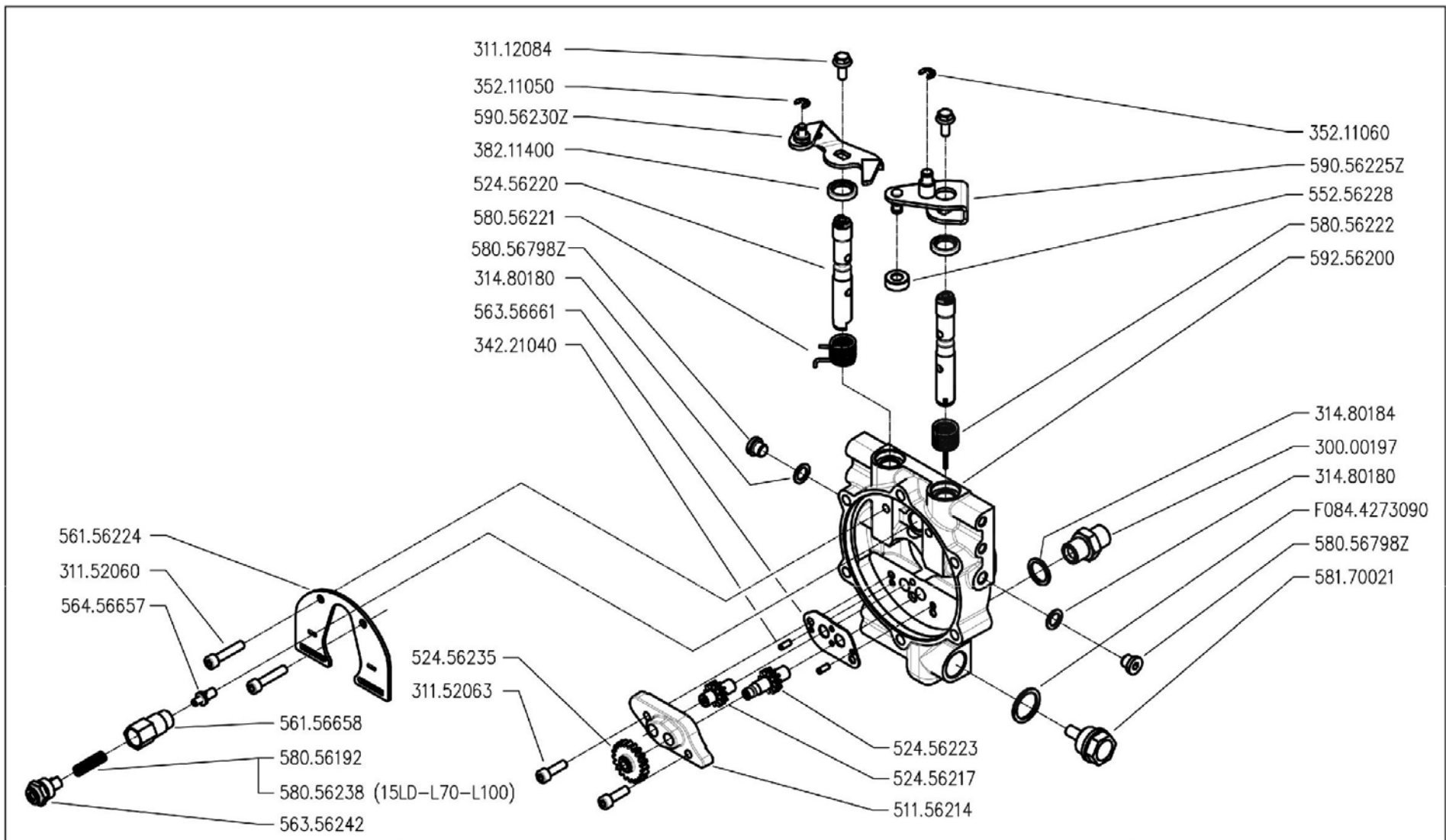


i = info - stop 2 sec. ★ = new part



Pos.	Id	Q.ty	Description	Note
1	31112154		SCREW TE M8X40 UNI 5739 8G	
2	31241084		SELFLOCK NUT M8 6S	
3	31112171		SCREW TE C/F M8X16 DIN 6921	
4	56156241N		TUNNEL	
5	31121008		SCREW TBCEI M10X16 ISO 7380	
6	58056991		CABLE GLAND 90/200/30	
7	31112081		SCREW TE C/F M6X20 DIN 6921 8G	
8	552C1001		FAIRINGS BOX	
9	59053021H		BUMPER C.15LD-ACT-GX ALUM.	GX390
9	59056127H		BUMPER FOR 740	15LD440/15LD500 - L100
10	31100451		SCREW 3,5X25	
11	55257522		HALF BEARING	
12	31510100		RIBBED SCREW 6,3X19 UNI 6950	
13	55257521		BCS FRONT PLASTIC DESCRIPTION MC 2010	
14	55257621		GUARD	
15	55257623		GUARD	
17	31112210		SCREW TE M10X20 UNI 5739	
18	31423105		SPRING WASHER 10,5	
19	561C0095H		RH 3LD BUMPER BRACKET	
19	561C0096H		LH 3LD BUMPER BRACKET	
20	31112170		SCREW TE C/F M8X20 DIN 6921	
21	55248241		PLUG D25	
22	590C0090H		ANTI-DUMPING C.TE BUMPER 3LD	REPLACES 590C0065H
23	58192769		VIBRATION-DAMPING	





	700 serie PS PowerSafe®	COMANDO FRIZIONE POWERSAFE		DALLA MACCHINA DE LA MAQUINA FROM THE MACHINE AB DER MASCHINE	Rev. B01 0
		POWERSAFE CLUTCH CONTROL CONTROL EMBRAGUE POWERSAFE	CONTRÔLE EMBRAYAGE POWERSAFE REGELUNG POWERSAFE KUPPLUNG		

DTE/BCS - Scala 1:6

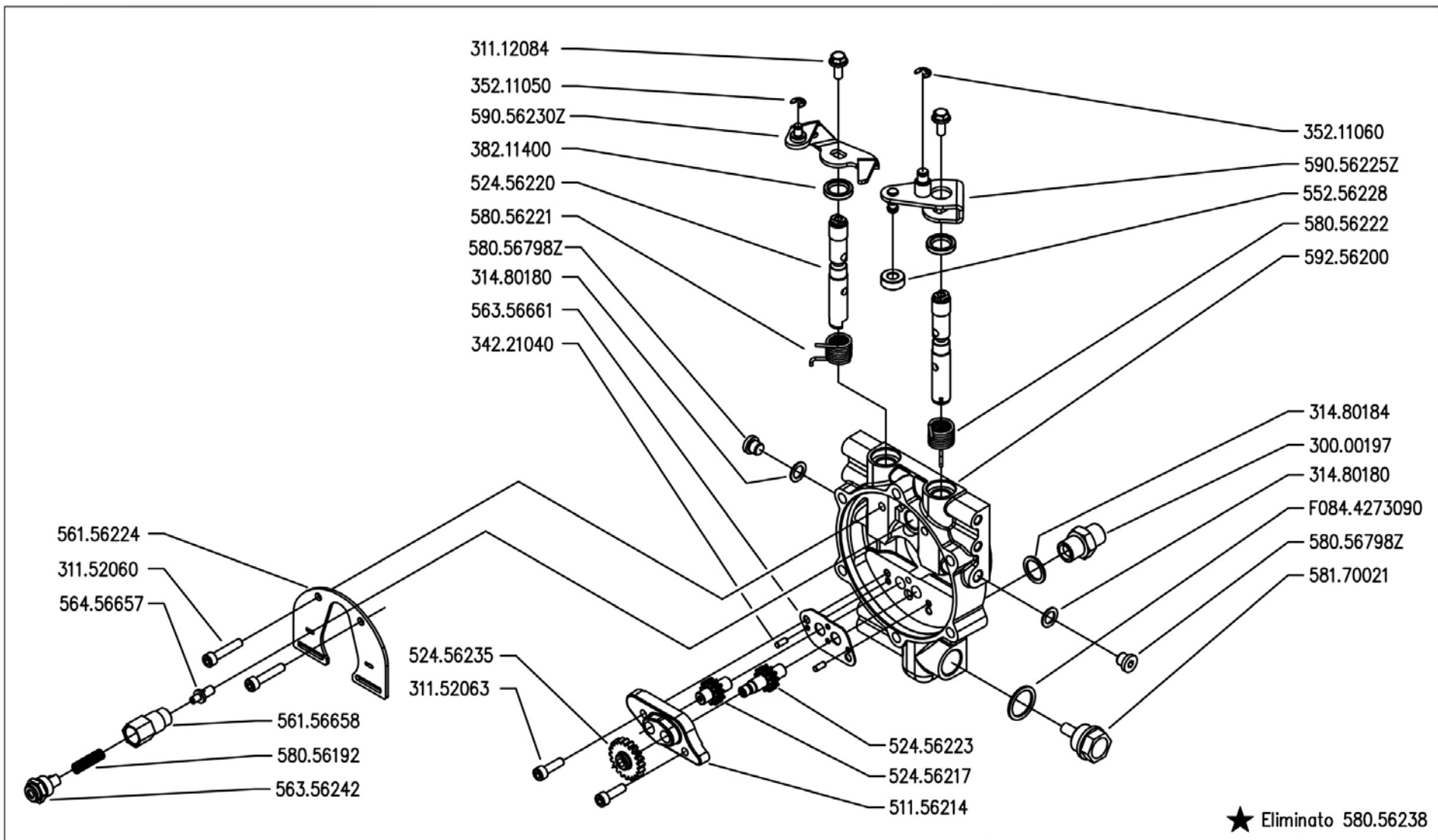


Pos.	Id	Q.ty	Description	Note
30000197	30000197	1	NIPPLE	
31112084	31112084	1	SCREW TE C/F M6X14 DIN 6921 8G	
31152060	31152060	1	SCREW TCEI M6X30 UNI 5931	
31152063	31152063	1	SCREW TCEI M6X20 UNI 5931	
31480180	31480180	1	COPPER WASHER 10,2x16/1	
31480184	31480184	1	COPPER WASHER 16,7x22/1,5	
34221040	34221040	1	CYLINDRICAL PLUG	
35211050	35211050	1	SEEGER RING E 5 UNI 7434	
35211060	35211060	1	SEEGER RING E 6 UNI 7434	
38211400	38211400	1	OIL SEAL 14X22X4	
51156214	51156214	1	COVER	
52456217	52456217	1	DRIVEN GEAR	
52456220	52456220	1	DISTRIBUTOR	
52456223	52456223	1	GEAR	
52456235	52456235	1	PUMP GEAR	
55256228	55256228	1	ROLLER	
56156224	56156224	1	SHIELD	
56156658	56156658	1	VALVE INSERT/INLET	
56356242	56356242	1	PLUG	
56356661	56356661	1	COUNTERWEIGHT	
56456657	56456657	1	VALVE	
58056192	58056192	1	SPRING	
58056221	58056221	1	SPRING	
58056222	58056222	1	SPRING	
58056238	58056238	1	SPRING	
58170021	58170021	1	PLUG	
59256200	59256200	1	CLUTCH FLANGE	
58056798Z	58056798Z	1	PLUG	
59056225Z	59056225Z	1	CLUTCH LEVER	



Pos.	Id	Q.ty	Description	Note
59056230Z	59056230Z	1	LEVER	
F0844273090	F0844273090	1	GASKET 22X28X1,5 CU 99,5	





700 serie PS
 PowerSafe®

COMANDO FRIZIONE POWERSAFE
 POWERSAFE CLUTCH CONTROL
 CONTROL EMBRAGUE POWERSAFE
 CONTRÔLE EMBRAYAGE POWERSAFE
 REGELUND POWERSAFE KUPPLUNG

DALLA MACCHINA
 DE LA MAQUINA
 FROM THE MACHINE
 AB DER MASCHINE

★ N.

852604

Rev.	1
B01	04/2010

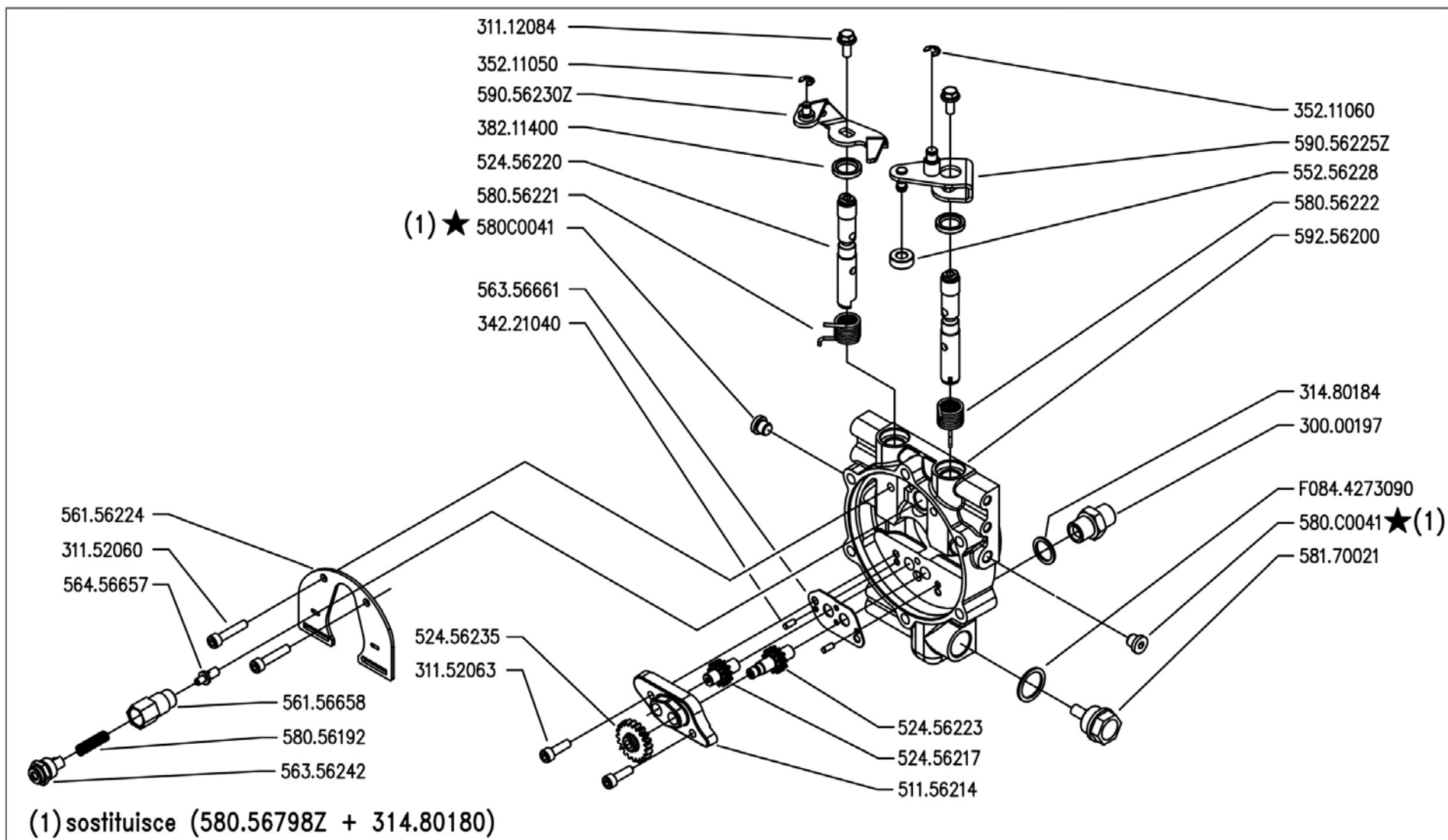


Pos.	Id	Q.ty	Description	Note
30000197	30000197	1	NIPPLE	
31112084	31112084	1	SCREW TE C/F M6X14 DIN 6921 8G	
31152060	31152060	1	SCREW TCEI M6X30 UNI 5931	
31152063	31152063	1	SCREW TCEI M6X20 UNI 5931	
31480180	31480180	1	COPPER WASHER 10,2x16/1	
31480184	31480184	1	COPPER WASHER 16,7x22/1,5	
34221040	34221040	1	CYLINDRICAL PLUG	
35211050	35211050	1	SEEGER RING E 5 UNI 7434	
35211060	35211060	1	SEEGER RING E 6 UNI 7434	
38211400	38211400	1	OIL SEAL 14X22X4	
51156214	51156214	1	COVER	
52456217	52456217	1	DRIVEN GEAR	
52456220	52456220	1	DISTRIBUTOR	
52456223	52456223	1	GEAR	
52456235	52456235	1	PUMP GEAR	
55256228	55256228	1	ROLLER	
56156224	56156224	1	SHIELD	
56156658	56156658	1	VALVE INSERT/INLET	
56356242	56356242	1	PLUG	
56356661	56356661	1	COUNTERWEIGHT	
56456657	56456657	1	VALVE	
58056192	58056192	1	SPRING	
58056221	58056221	1	SPRING	
58056222	58056222	1	SPRING	
58170021	58170021	1	PLUG	
59256200	59256200	1	CLUTCH FLANGE	
58056798Z	58056798Z	1	PLUG	
59056225Z	59056225Z	1	CLUTCH LEVER	
59056230Z	59056230Z	1	LEVER	



Pos.	Id	Q.ty	Description	Note
F0844273090	F0844273090	1	GASKET 22X28X1,5 CU 99,5	





700 serie PS
 PowerSafe®

COMANDO FRIZIONE POWERSAFE

POWERSAFE CLUTCH CONTROL
 CONTROL EMBRAGUE POWERSAFE

CONTRÔLE EMBRAYAGE POWERSAFE
 REGELUND POWERSAFE KUPPLUNG

DALLA MACCHINA
 DE LA MAQUINA
 DE LA MACHINA
 FROM THE MACHINE
 AB DER MASCHINE

★ N.

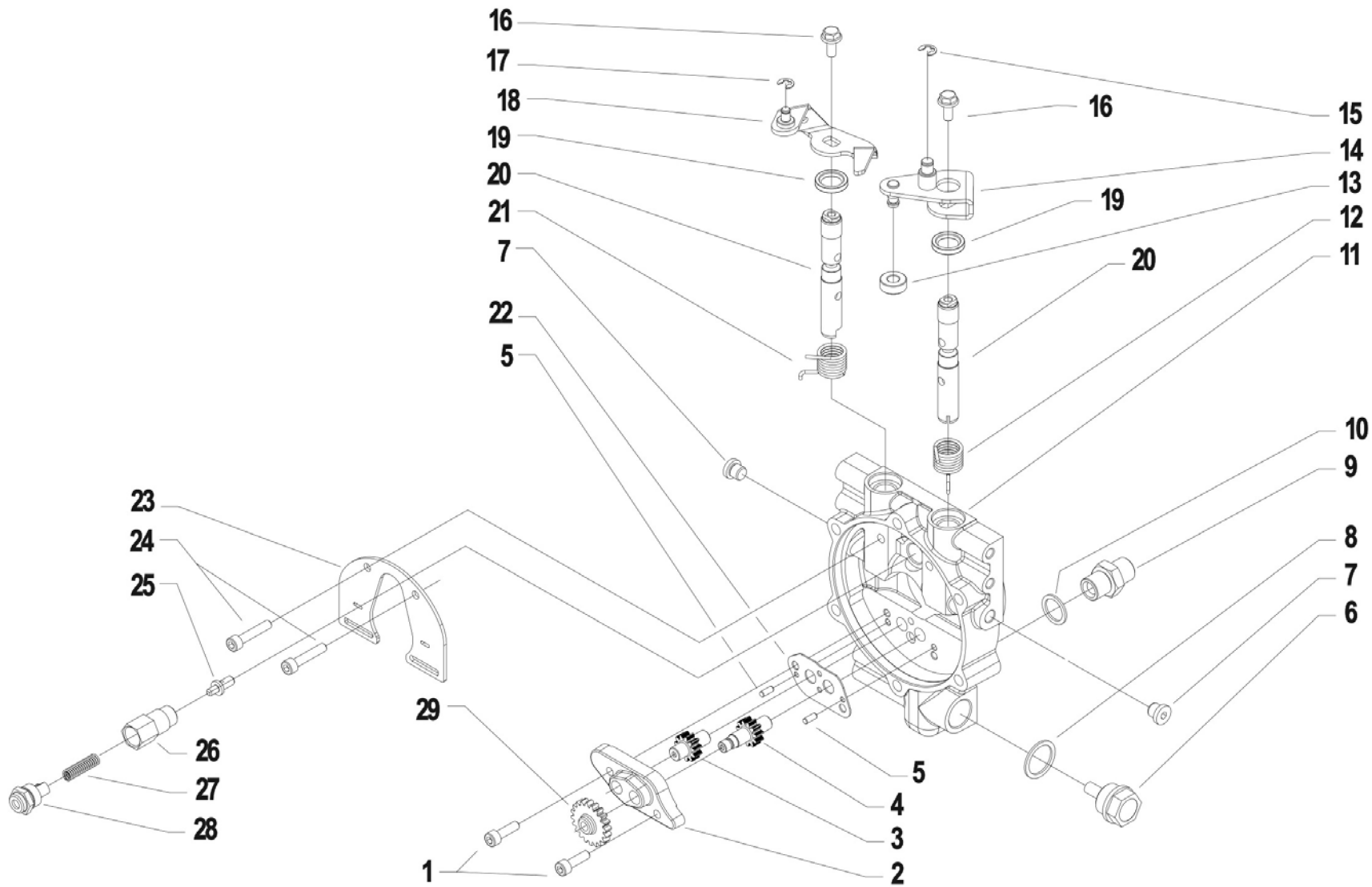
AGGIORNAMENTO
APLAZAMIENTO
MISE A JOUR
REVISION
ANPASSUNG

Rev.	B01	2
	09/2010	



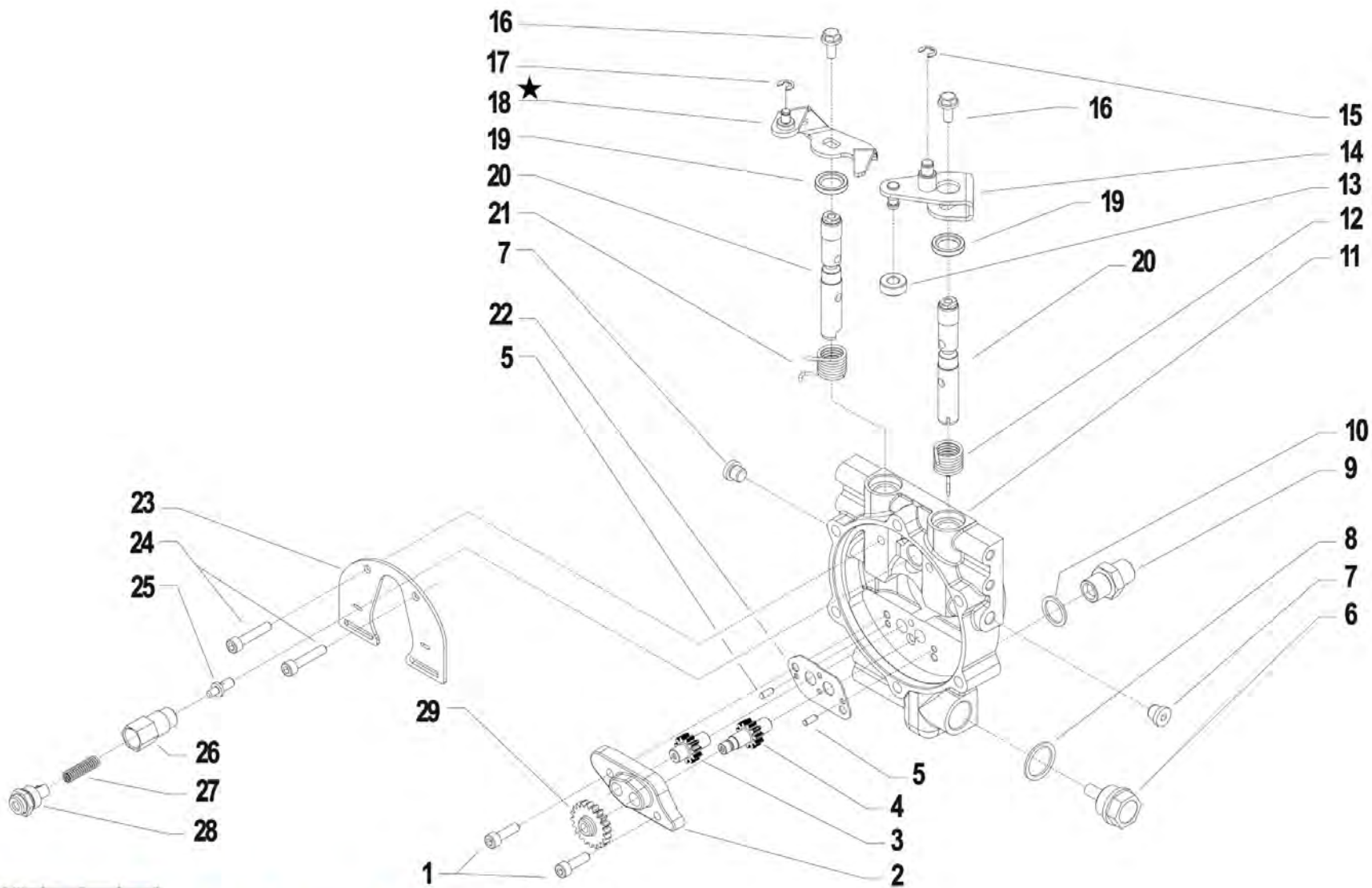
Pos.	Id	Q.ty	Description	Note
30000197	30000197	1	NIPPLE	
31112084	31112084	1	SCREW TE C/F M6X14 DIN 6921 8G	
31152060	31152060	1	SCREW TCEI M6X30 UNI 5931	
31152063	31152063	1	SCREW TCEI M6X20 UNI 5931	
31480184	31480184	1	COPPER WASHER 16,7x22/1,5	
34221040	34221040	1	CYLINDRICAL PLUG	
35211050	35211050	1	SEEGER RING E 5 UNI 7434	
35211060	35211060	1	SEEGER RING E 6 UNI 7434	
38211400	38211400	1	OIL SEAL 14X22X4	
51156214	51156214	1	COVER	
52456217	52456217	1	DRIVEN GEAR	
52456220	52456220	1	DISTRIBUTOR	
52456223	52456223	1	GEAR	
52456235	52456235	1	PUMP GEAR	
55256228	55256228	1	ROLLER	
56156224	56156224	1	SHIELD	
56156658	56156658	1	VALVE INSERT/INLET	
56356242	56356242	1	PLUG	
56356661	56356661	1	COUNTERWEIGHT	
56456657	56456657	1	VALVE	
58056192	58056192	1	SPRING	
58056221	58056221	1	SPRING	
58056222	58056222	1	SPRING	
580C0041	580C0041	1	PLUG	
58170021	58170021	1	PLUG	
59256200	59256200	1	CLUTCH FLANGE	
59056225Z	59056225Z	1	CLUTCH LEVER	
59056230Z	59056230Z	1	LEVER	
F0844273090	F0844273090	1	GASKET 22X28X1,5 CU 99,5	





Pos.	Id	Q.ty	Description	Note
1	31152063	1	SCREW TCEI M6X20 UNI 5931	
2	51156214	1	COVER	
3	52456217	1	DRIVEN GEAR	
4	52456223	1	GEAR	
5	34221040	1	CYLINDRICAL PLUG	
6	58170021	1	PLUG	
7	580C0041	1	PLUG	
8	F0844273090	1	GASKET 22X28X1,5 CU 99,5	
9	30000197	1	NIPPLE	
10	31480184	1	COPPER WASHER 16,7x22/1,5	
11	59256200	1	CLUTCH FLANGE	
12	58056222	1	SPRING	
13	55256228	1	ROLLER	
14	59056225Z	1	CLUTCH LEVER	
15	35211060	1	SEEGER RING E 6 UNI 7434	
16	31112084	1	SCREW TE C/F M6X14 DIN 6921 8G	
17	35211050	1	SEEGER RING E 5 UNI 7434	
18	59056298Z	1	LEVER	Replaces 59056230Z from serial 901289
19	38211400	1	OIL SEAL 14X22X4	
20	52456220	1	DISTRIBUTOR	
21	58056221	1	SPRING	
22	56356661	1	COUNTERWEIGHT	
23	56156224	1	SHIELD	
24	31152060	1	SCREW TCEI M6X30 UNI 5931	
25	56456657	1	VALVE	
26	56156658	1	VALVE INSERT/INLET	
27	58056683	1	SPRING	Replaces 58056192 from serial number 883609
28	56356242	1	PLUG	
29	52456235	1	PUMP GEAR	



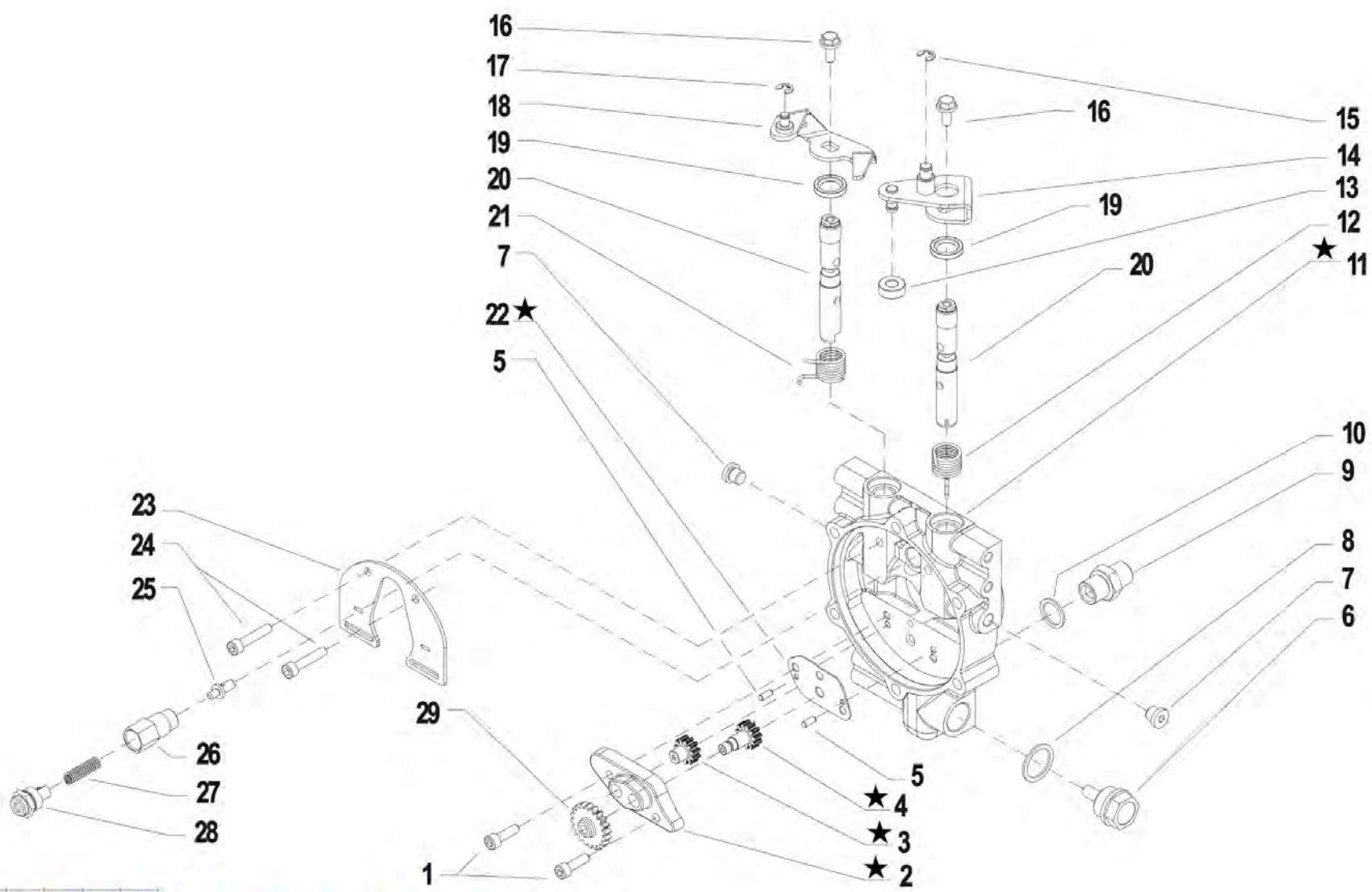


i = info - stop 2 sec. = new part



Pos.	Id	Q.ty	Description	Note
1	31152063		SCREW TCEI M6X20 UNI 5931	
2	51156214		COVER	
3	52456217		DRIVEN GEAR	
4	52456223		GEAR	
5	34221040		CYLINDRICAL PLUG	
6	58170021		PLUG	
7	580C0041		PLUG	
8	F0844273090		GASKET 22X28X1,5 CU 99,5	
9	30000197		NIPPLE	
10	31480184		COPPER WASHER 16,7x22/1,5	
11	59256200		CLUTCH FLANGE	
12	58056222		SPRING	
13	55256228		ROLLER	
14	59056225Z		CLUTCH LEVER	
15	35211060		SEEGER RING E 6 UNI 7434	
16	31112084		SCREW TE C/F M6X14 DIN 6921 8G	
17	35211050		SEEGER RING E 5 UNI 7434	
18	59056748Z		LEVA STOP C.TA PS/14 ZNT	REPLACES 58056298Z
19	38211400		OIL SEAL 14X22X4	
20	52456220		DISTRIBUTOR	
21	58056221		SPRING	
22	56356661		COUNTERWEIGHT	
23	56156224		SHIELD	
24	31152060		SCREW TCEI M6X30 UNI 5931	
25	56456657		VALVE	
26	56156658		VALVE INSERT/INLET	
27	58056683		SPRING	Replaces 58056192 from serial number 883609
28	56356242		PLUG	
29	52456235		PUMP GEAR	



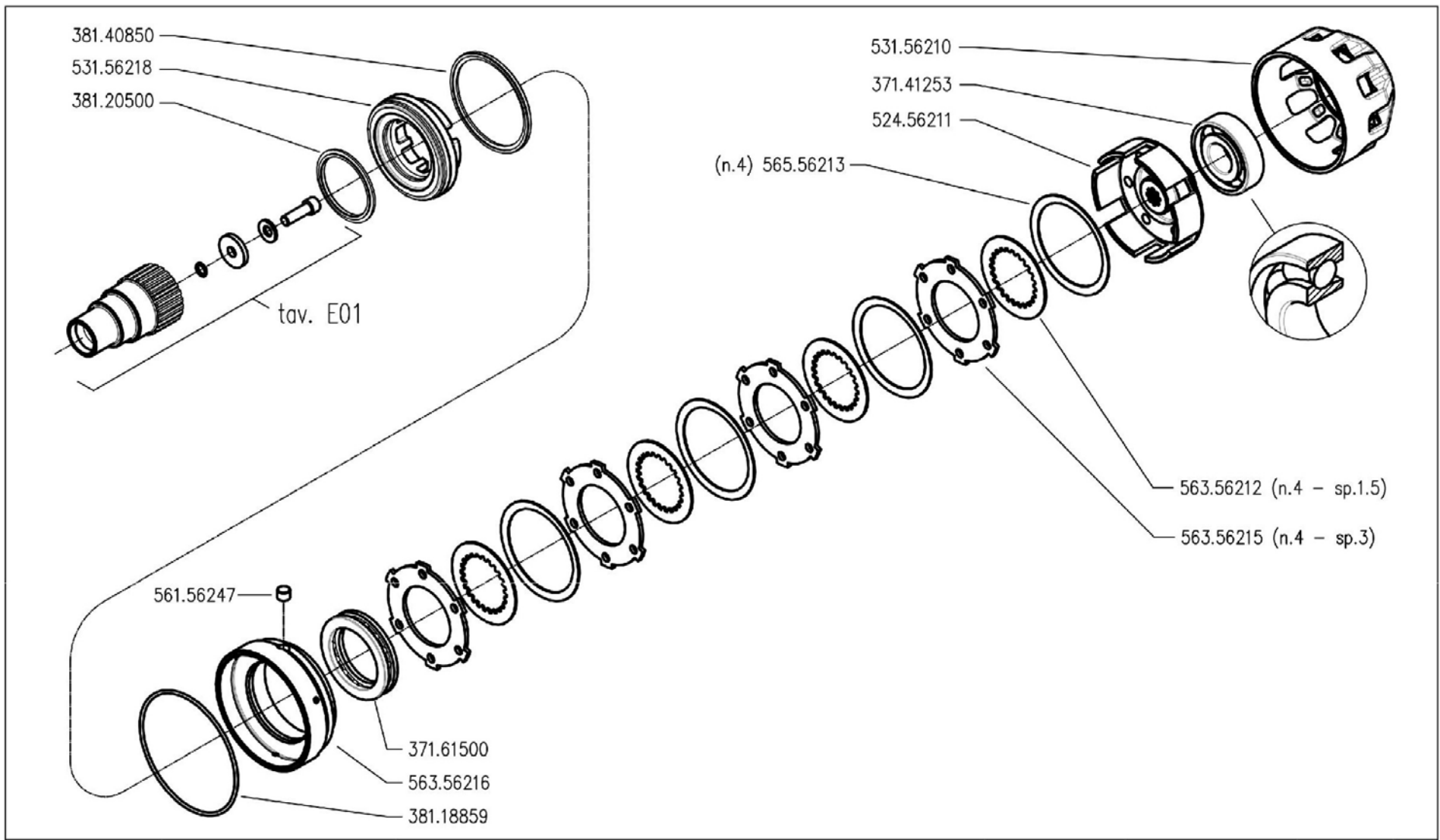


i = info - stop 2 sec. ★ = new part



Pos.	Id	Q.ty	Description	Note
1	31152063		SCREW TCEI M6X20 UNI 5931	
2	56356364		PUMP COVER PS/14	REPLACE 51156214 + 52456217 + 52456223 + 56356661 + 59256200
3	52456371		PUMP GEAR PS/14	REPLACE 51156214 + 52456217 + 52456223 + 56356661 + 59256200
4	52456372		PUMP GEAR	REPLACE 51156214 + 52456217 + 52456223 + 56356661 + 59256200
5	34221040		CYLINDRICAL PLUG	
6	58170021		PLUG	
7	580C0041		PLUG	
8	F0844273090		GASKET 22X28X1,5 CU 99,5	
9	30000197		NIPPLE	
10	31480184		COPPER WASHER 16,7x22/1,5	
11	59256745		POWERSAFE CLUTCH FLANGE	REPLACE 51156214 + 52456217 + 52456223 + 56356661 + 59256200
12	58056222		SPRING	
13	55256228		ROLLER	
14	59056225Z		CLUTCH LEVER	
15	35211060		SEEGER RING E 6 UNI 7434	
16	31112084		SCREW TE C/F M6X14 DIN 6921 8G	
17	35211050		SEEGER RING E 5 UNI 7434	
18	59056748Z		LEVA STOP C.TA PS/14 ZNT	
19	38211400		OIL SEAL 14X22X4	
20	52456220		DISTRIBUTOR	
21	58056221		SPRING	
22	56356747		PUMP RECEPTOR PS/14	REPLACE 51156214 + 52456217 + 52456223 + 56356661 + 59256200
23	56156224		SHIELD	
24	31152060		SCREW TCEI M6X30 UNI 5931	
25	56456657		VALVE	
26	56156658		VALVE INSERT/INLET	
27	58056683		SPRING	Replaces 58056192 from serial number 883609
28	56356242		PLUG	
29	52456235		PUMP GEAR	





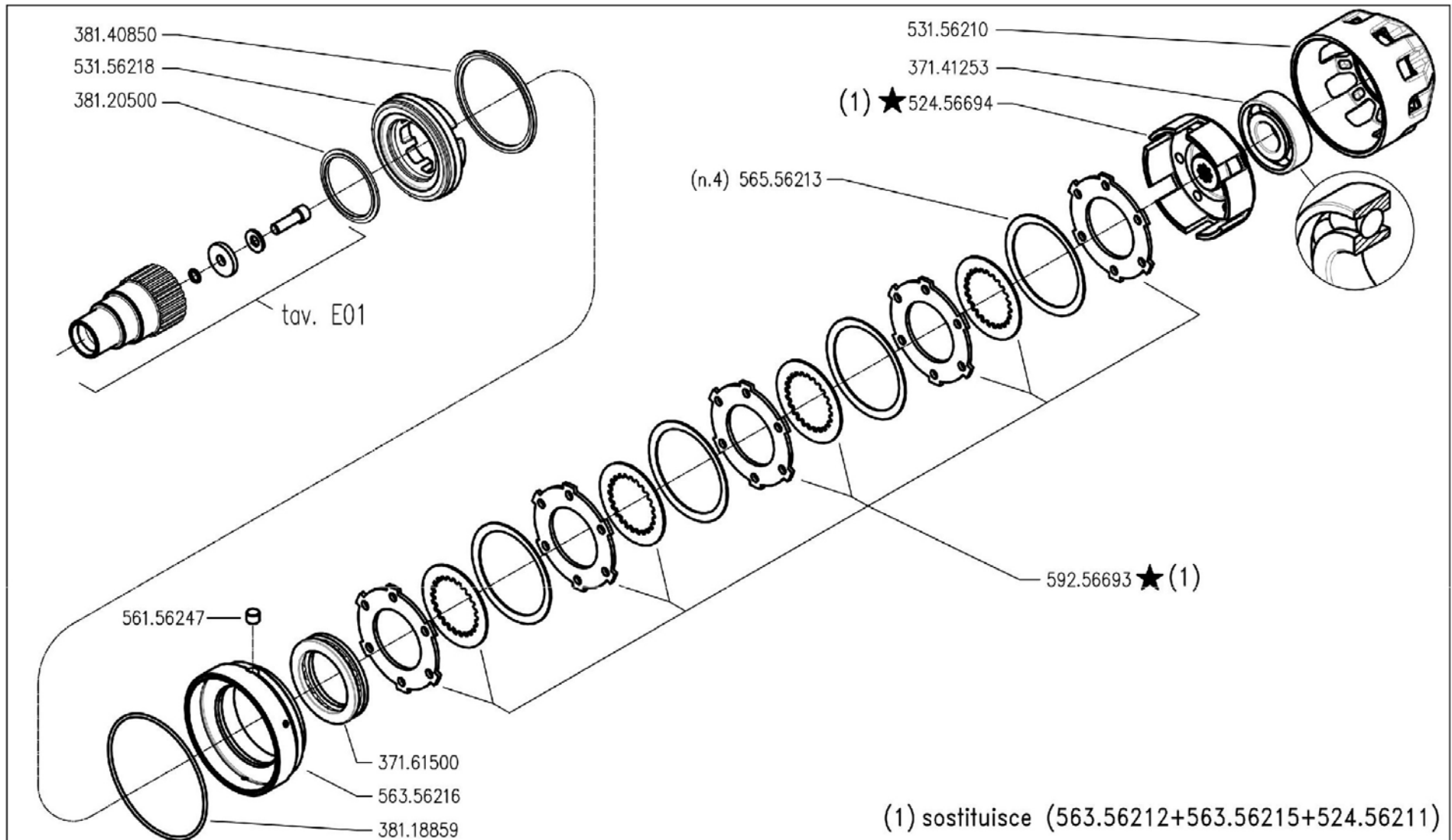
	700 serie PS PowerSafe®	CILINDRO E FRIZIONE POWERSAFE		DALLA MACCHINA DE LA MAQUINA FROM THE MACHINE AB DER MASCHINE	N.	C01	Rev.
		CYLINDER AND POWERSAFE CLUTCH CILINDRO Y EMBRAGUE POWERSAFE	CYLINDER ET EMBRAYAGE POWERSAFE ZILINDER UND POWERSAFE KUPPLUNG				0
						05/2009	

DITE/BCS - Scala 1:6



Pos.	Id	Q.ty	Description	Note
37141253	37141253	1	BEARING 7305-BJP OBL 25x62x17	
37161500	37161500	1	BEARING 51110 (50X70X14)	
38118859	38118859	1	O-RING OR 3375 (94,92X2,62)	
38120500	38120500	1	RING I/GR-L 0500-A POLYPAC	
38140850	38140850	1	RING E/GR-L 0850-A POLYPAC	
52456211	52456211	1	CLUTCH HOUSING	
53156210	53156210	1	SUMP	
53156218	53156218	1	PISTON	
56156247	56156247	1	PIN	
56356212	56356212	1	DISC	
56356215	56356215	1	DISC	
56356216	56356216	1	RING	
56556213	56556213	1	SPRING	





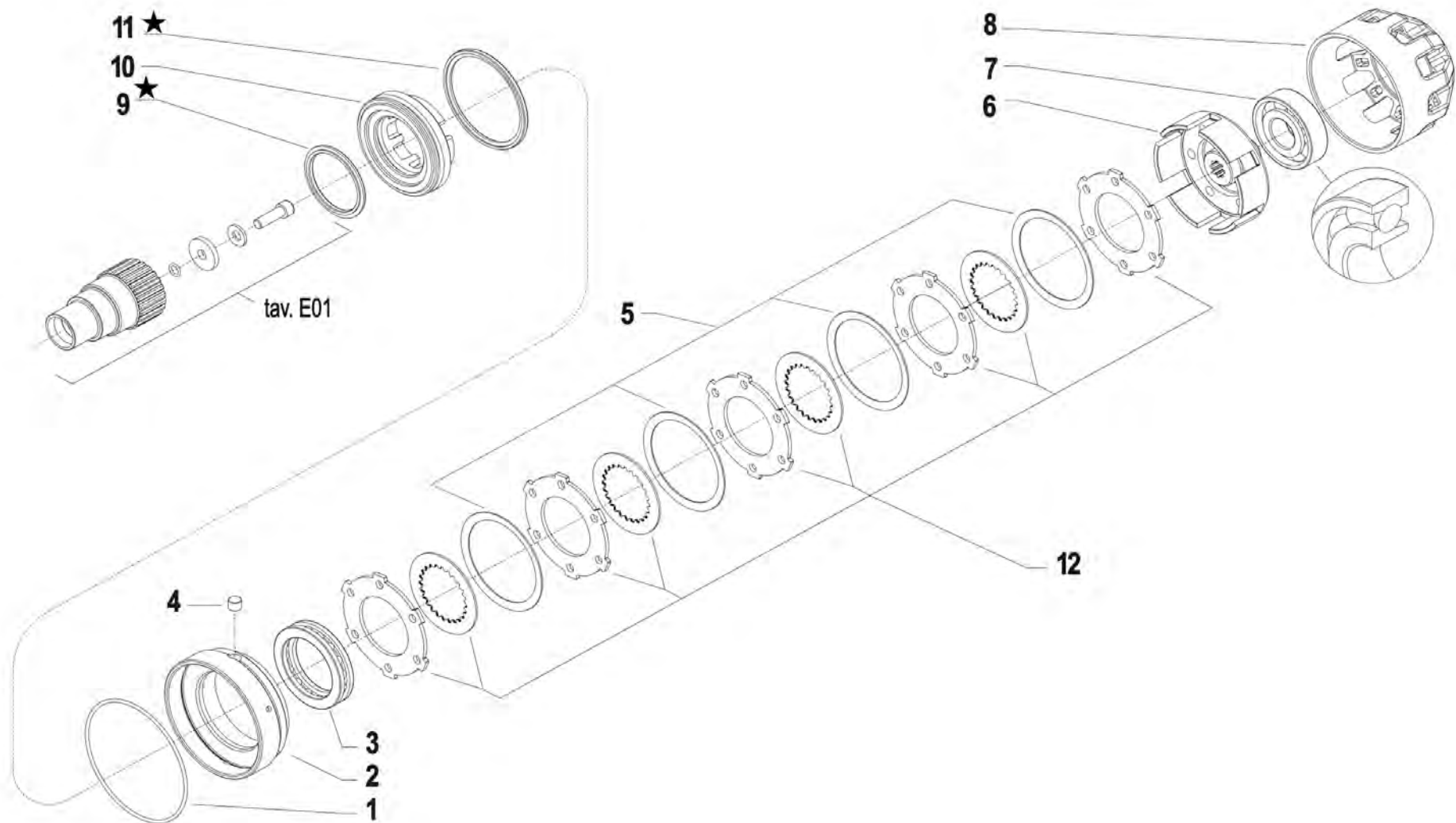
	700 serie PS PowerSafe®	CILINDRO E FRIZIONE POWERSAFE		DALLA MACCHINA DE LA MAQUINA FROM THE MACHINE AB DER MASCHINE	C01	Rev. 1
		CYLINDER AND POWERSAFE CLUTCH CILINDRO Y EMBRAGUE POWERSAFE	CYLINDER ET EMBRAYAGE POWERSAFE ZILINDER UND POWERSAFE KUPPLUNG			

DITE.BCS - Scala 1:6



Pos.	Id	Q.ty	Description	Note
37141253	37141253	1	BEARING 7305-BJP OBL 25x62x17	
37161500	37161500	1	BEARING 51110 (50X70X14)	
38118859	38118859	1	O-RING OR 3375 (94,92X2,62)	
38120500	38120500	1	RING I/GR-L 0500-A POLYPAC	
38140850	38140850	1	RING E/GR-L 0850-A POLYPAC	
52456694	52456694	1	CLUTCH HOUSING	
53156210	53156210	1	SUMP	
53156218	53156218	1	PISTON	
56156247	56156247	1	PIN	
56356216	56356216	1	RING	
56556213	56556213	1	SPRING	
59256693	59256693	1	9 DISC CLUTCH	



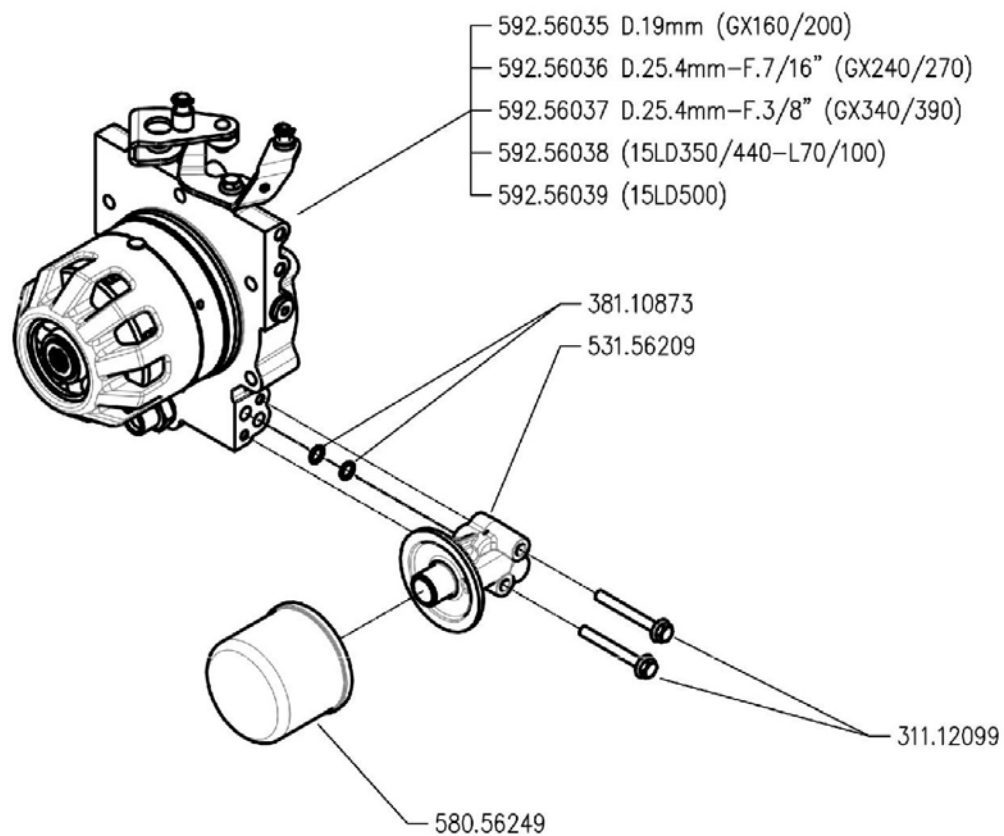


i = info - stop 2 sec. ★ = new part



Pos.	Id	Q.ty	Description	Note
1	38118859		O-RING OR 3375 (94,92X2,62)	
2	56356216		RING	
3	37161500		BEARING 51110 (50X70X14)	
4	56156247		PIN	
5	56556213		SPRING	n. 4
6	52456694		CLUTCH HOUSING	Replaces 56356212 + 56356215 + 52456211
7	37141253		BEARING 7305-BJP OBL 25x62x17	
8	53156210		SUMP	
9	38120501		RING PTFE PRP 01A02-0500-A-32	REPLACE 38120500 + 38140850
10	53156218		PISTON	
11	38140851		RING PTFE PRP02A02-0850-A-32-N	REPLACE 38120500 + 38140850
12	59256693		9 DISC CLUTCH	Replaces 56356212 + 56356215 + 52456211





700 serie PS
 PowerSafe®

GRUPPO FILTRO POWERSAFE

POWERSAFE FILTER UNIT
 FILTRO POWERSAFE

FILTRE POWERSAFE
 POWERSAFE FILTER

DALLA MACCHINA
 DE LA MAQUINA
 FROM THE MACHINE
 AB DER MASCHINE

N.

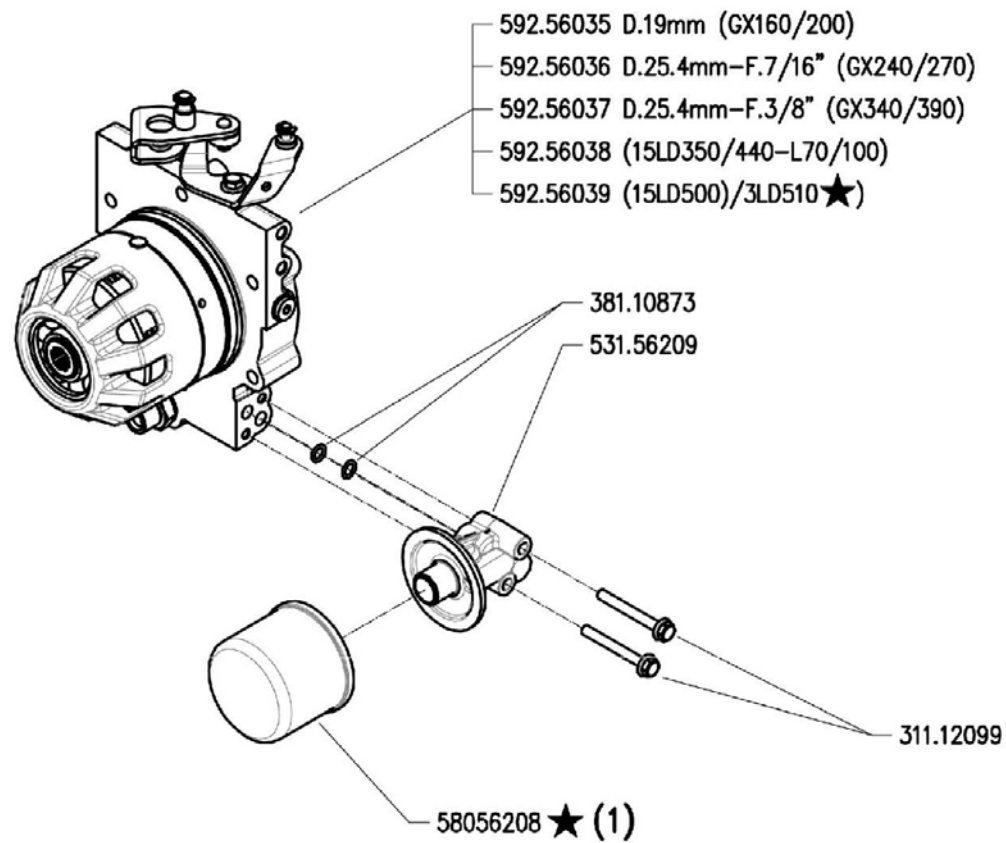
			Rev.
		D01	0
		05/2009	

DME/BCS - Scala 1:6




Pos.	Id	Q.ty	Description	Note
31112099	31112099	1	SCREW TE C/F M6X50 DIN 6921 8G	
38110873	38110873	1	O-RING 108 (8,73X1,78)	
53156209	53156209	1	CONNECTION	
58056249	58056249	1	FILTER	
59256035	59256035	1	POWERSAFE CLUTCH ASSY Q19	
59256036	59256036	1	POWERSAFE CLUTCH	
59256037	59256037	1	CLUTCH FOR POWERSAFE Q25.4 (3/8)	
59256038	59256038	1	POWERSAFE CLUTCH	
59256039	59256039	1	POWERSAFE CLUTCH ASSY	





(1) sostituisce 580.56249

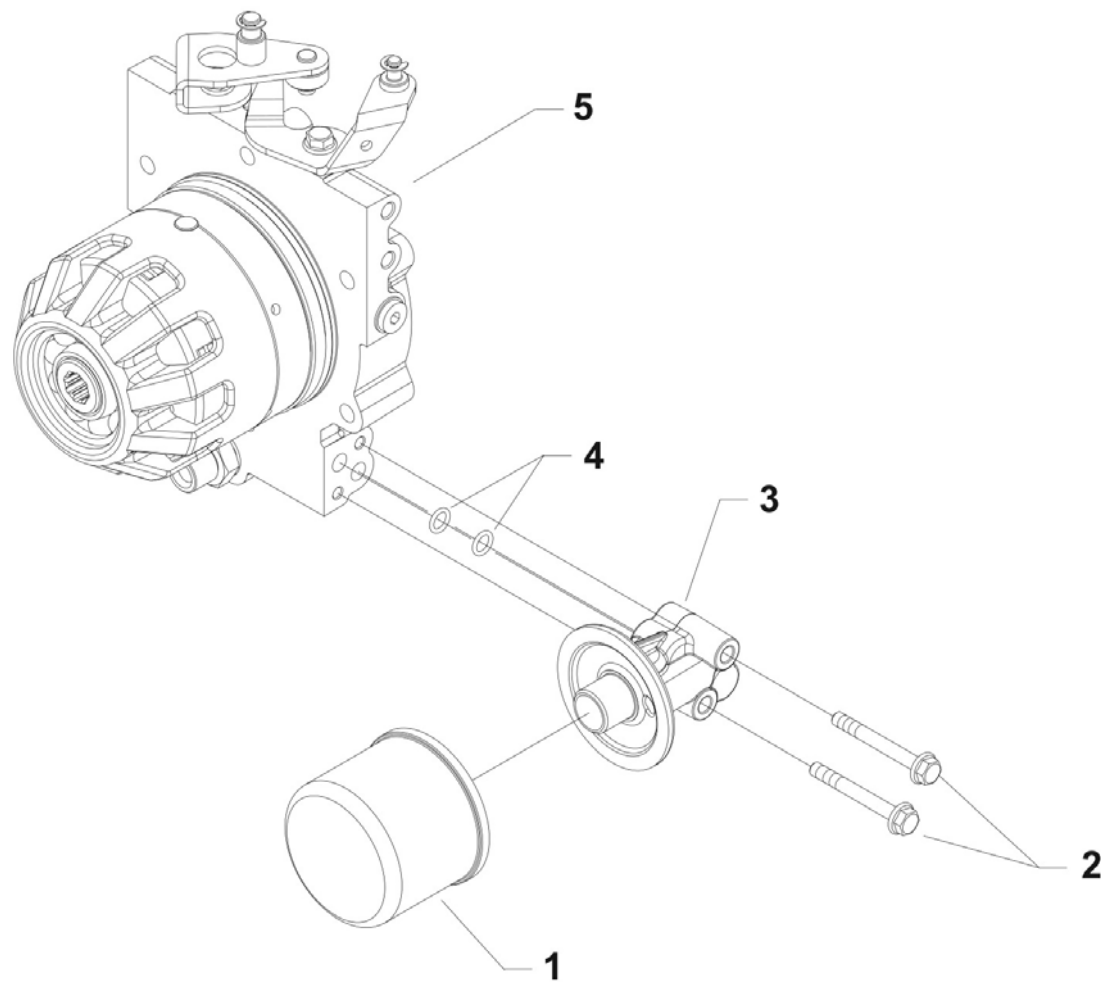
	700 serie PS PowerSafe®	GRUPPO E FILTRO POWERSAFE		<small>DALLA MACCHINA DE LA MAQUINA FROM THE MACHINE AB DER MASCHINE</small> ★ N.	<small>AGGIORNAMENTO</small>	D01	<small>Rev.</small>
		<small>POWERSAFE FILTER AND UNIT</small>	<small>FILTRE POWERSAFE</small>		<small>APLAZAMIENTO</small>		1
		<small>FILTRO POWERSAFE</small>	<small>POWERSAFE FILTER</small>		<small>MISE A JOUR</small>		11/2010
					<small>REVISION</small>		
					<small>ANPASSUNG</small>		

DTE/BCS - Scala 1:5



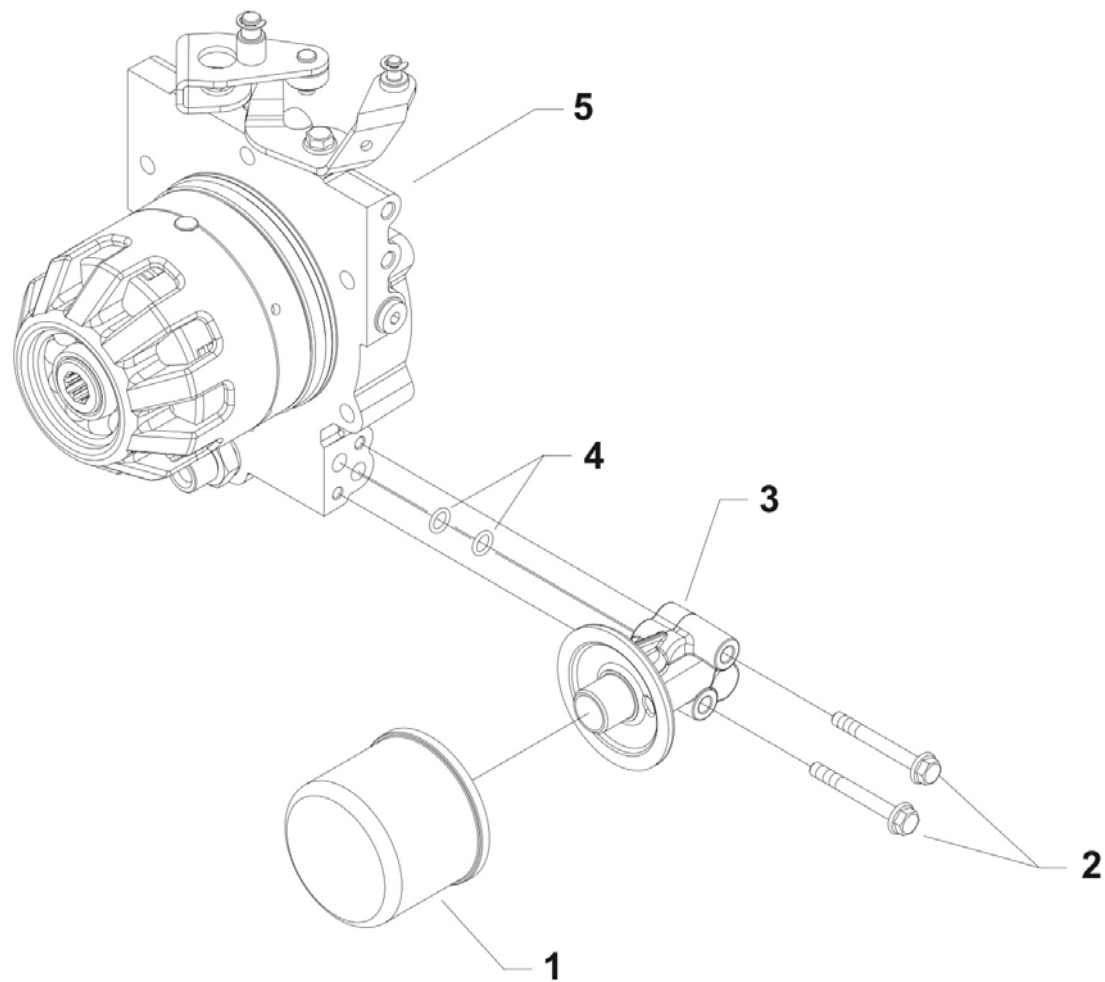
Pos.	Id	Q.ty	Description	Note
31112099	31112099	1	SCREW TE C/F M6X50 DIN 6921 8G	
38110873	38110873	1	O-RING 108 (8,73X1,78)	
53156209	53156209	1	CONNECTION	
58056208	58056208	1	HYDRAULIC OIL FILTER	
59256035	59256035	1	POWERSAFE CLUTCH ASSY Q19	
59256036	59256036	1	POWERSAFE CLUTCH	
59256037	59256037	1	CLUTCH FOR POWERSAFE Q25.4 (3/8)	
59256038	59256038	1	POWERSAFE CLUTCH	
59256039	59256039	1	POWERSAFE CLUTCH ASSY	





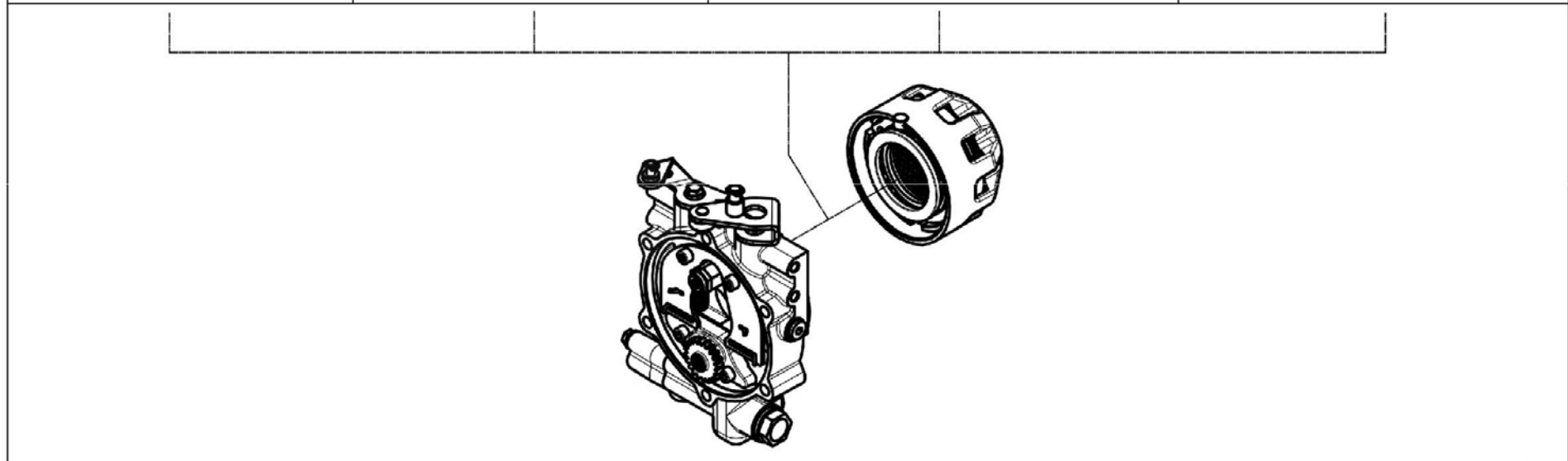
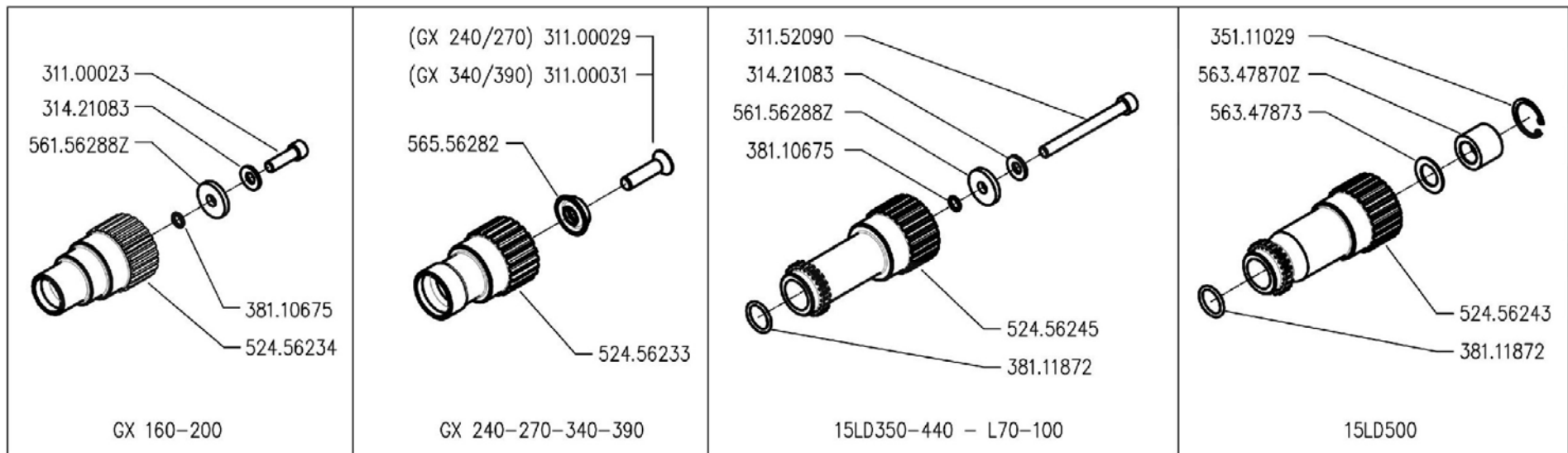
Pos.	Id	Q.ty	Description	Note
1	58056208	1	HYDRAULIC OIL FILTER	
2	31112099	1	SCREW TE C/F M6X50 DIN 6921 8G	
3	53156209	1	CONNECTION	
3	53156659	1	CONNECTION	Powersafe EasyDrive
4	38110873	1	O-RING 108 (8,73X1,78)	
5	59256035	1	POWERSAFE CLUTCH ASSY Q19	For motors GX160/200
5	59256036	1	POWERSAFE CLUTCH	For motors GX240/270-EX21
5	59256037	1	CLUTCH FOR POWERSAFE Q25.4 (3/8)	For motors GX340/390
5	59256038	1	POWERSAFE CLUTCH	For motors 15LD350/440-L70/100
5	59256039	1	POWERSAFE CLUTCH ASSY	For motors 15LD500/3LD510





Pos.	Id	Q.ty	Description	Note
1	58056208		HYDRAULIC OIL FILTER	
2	31112099		SCREW TE C/F M6X50 DIN 6921 8G	
3	53156209		CONNECTION	
3	53156659		CONNECTION	730 ED
4	38110873		O-RING 108 (8,73X1,78)	
5	59256035		POWERSAFE CLUTCH ASSY Q19	GX 160/GX200 - EX21 - GP160
5	59256036		POWERSAFE CLUTCH	GX 240/GX 270 - B&S 1450/B&S 2100
5	59256037		CLUTCH FOR POWERSAFE Q25.4 (3/8)	GX 340/GX390 - EX35
5	59256038		POWERSAFE CLUTCH	15LD350/440 - L70 / L100 - KD350 / KD440
5	59256039		POWERSAFE CLUTCH ASSY	15LD500/3LD510





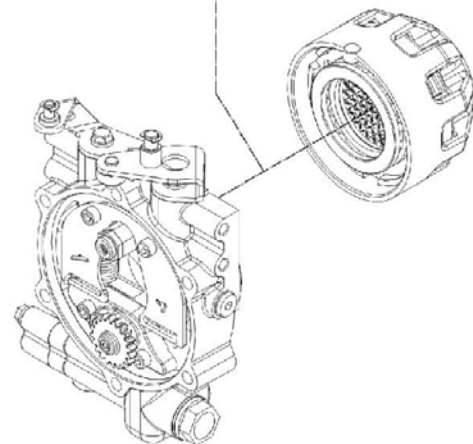
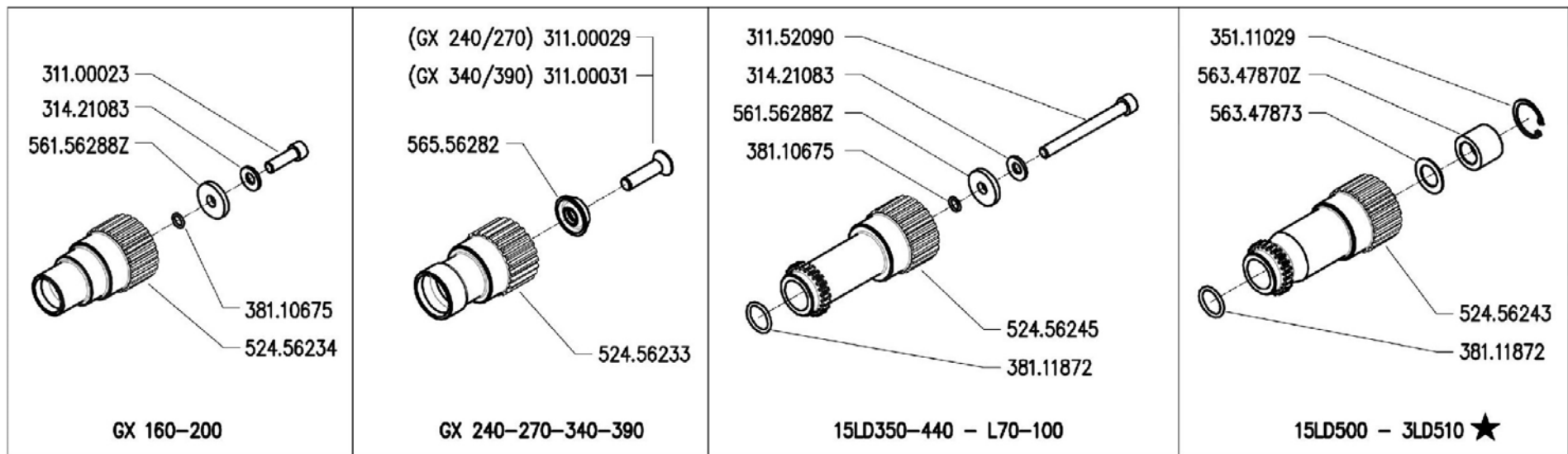
	<p>700 serie PS PowerSafe®</p>	<p>MOZZI FRIZIONE POWERSAFE POWERSAFE CLUTCH HUBS CUBOS EMBRAGUE POWERSAFE MOYEURS EMBRAYAGE POWERSAFE NABEN POWERSAFE KUPPLUNG</p>	<p>DALLA MACCHINA DE LA MAQUINA DE LA MAQUINA FROM THE MACHINE AB DER MASCHINE</p>	<p>N.</p>	<p>E01</p>	<p>Rev. 0 05/2009</p>
--	------------------------------------	---	--	-----------	------------	---------------------------

DME/BCS - Scatola 1/6



Pos.	Id	Q.ty	Description	Note
31100023	31100023	1	SCREW 5/16-24 X 1 UNF 8G	
31100029	31100029	1	SCREW TSVEI 7/16-20X1 1/2 UNF8G	
31100031	31100031	1	SCREW TSVEI 3/8-24X1 1/2 UNF 8G	
31152090	31152090	1	SCREW TCEI M8x80 UNI5931	
31421083	31421083	1	WASHER	
35111029	35111029	1	SEEGER RING I 28 UNI 7437	
38110675	38110675	1	O-RING 106 (6,75X1,78)	
38111872	38111872	1	O-RING 3075 (18,72x2,62)	
52456233	52456233	1	HUB Q25	
52456234	52456234	1	HUB Q19	
52456243	52456243	1	HUB	
52456245	52456245	1	HUB	
56347873	56347873	1	WASHER	
56556282	56556282	1	WASHER D.25,4	
56156288Z	56156288Z	1	SPECIAL WASHER SP.4	
56347870Z	56347870Z	1	SPECIAL NUT	





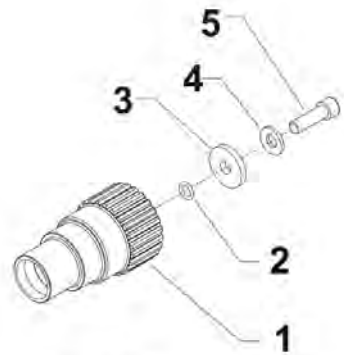
	700 serie PS PowerSafe®	MOZZI FRIZIONE POWERSAFE		DALLA MACCHINA DE LA MAQUINA DE LA MACHINA FROM THE MACHINE AB DER MASCHINE	AGGIORNAMENTO	E01	Rev.
		POWERSAFE CLUTCH HUBS CUBOS EMBRAGUE POWERSAFE	MOYEURS EMBRAYAGE POWERSAFE NABEN POWERSAFE KUPPLUNG		★ N.		APLAZAMIENTO MISE A JOUR REVISION ANPASSUNG
						11/2010	

DITE BCS - Scala 1:6

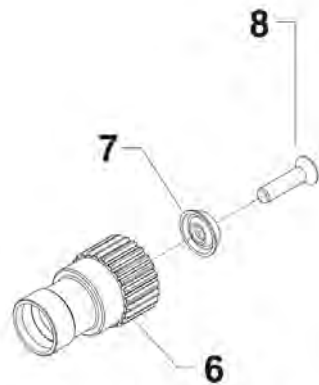


Pos.	Id	Q.ty	Description	Note
31100023	31100023	1	SCREW 5/16-24 X 1 UNF 8G	
31100029	31100029	1	SCREW TSVEI 7/16-20X1 1/2 UNF8G	
31100031	31100031	1	SCREW TSVEI 3/8-24X1 1/2 UNF 8G	
31152090	31152090	1	SCREW TCEI M8x80 UNI5931	
31421083	31421083	1	WASHER	
35111029	35111029	1	SEEGER RING I 28 UNI 7437	
38110675	38110675	1	O-RING 106 (6,75X1,78)	
38111872	38111872	1	O-RING 3075 (18,72x2,62)	
52456233	52456233	1	HUB Q25	
52456234	52456234	1	HUB Q19	
52456243	52456243	1	HUB	
52456245	52456245	1	HUB	
56347873	56347873	1	WASHER	
56556282	56556282	1	WASHER D.25,4	
56156288Z	56156288Z	1	SPECIAL WASHER SP.4	
56347870Z	56347870Z	1	SPECIAL NUT	

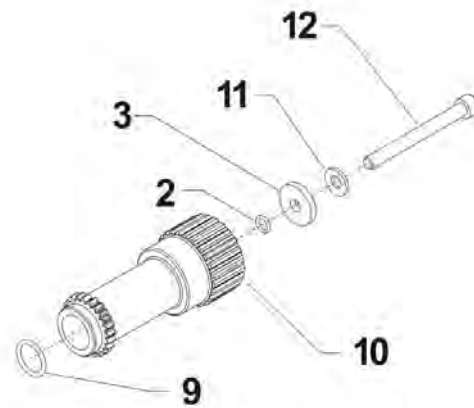




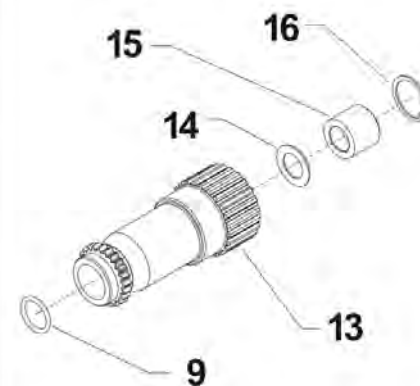
Gx160 - 200
Ex21★ - Gp160★



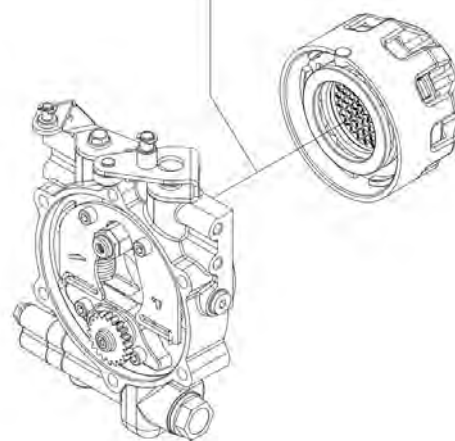
Gx240 - 270 - 340 - 390
B&S 1450 - B&S 2100★



15LD350 - 440 - L70 - L100
Kd350★ - Kd440★



15LD500 - 3LD510

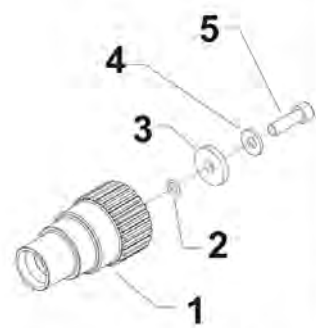


i = info - stop 2 sec. ★ = new part

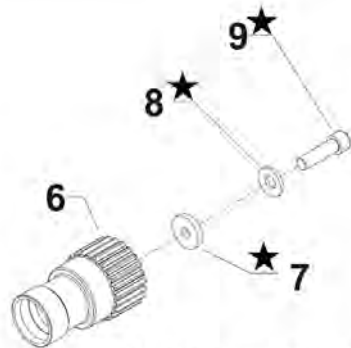


Pos.	Id	Q.ty	Description	Note
1	52456234		HUB Q19	
2	38110675		O-RING 106 (6,75X1,78)	
3	56156288Z		SPECIAL WASHER SP.4	
4	31421083		WASHER	
5	31100023		SCREW 5/16-24 X 1 UNF 8G	
6	52456233		HUB Q25	
7	56556282		WASHER D.25,4	
8	31100029		SCREW TSVEI 7/16-20X1 1/2 UNF8G	GX 240 /270
8	31100031		SCREW TSVEI 3/8-24X1 1/2 UNF 8G	GX 340 /390
9	38111872		O-RING 3075 (18,72x2,62)	
10	52456245		HUB	
11	31421083		WASHER	
12	31152090		SCREW TCEI M8x80 UNI5931	
13	52456243		HUB	
14	56347873		WASHER	
15	56347870Z		SPECIAL NUT	
16	35111029		SEEGER RING I 28 UNI 7437	

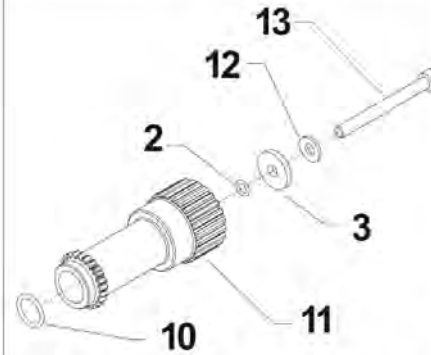




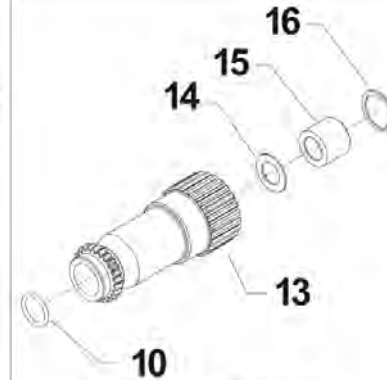
GX 160-200
EX21-GP160



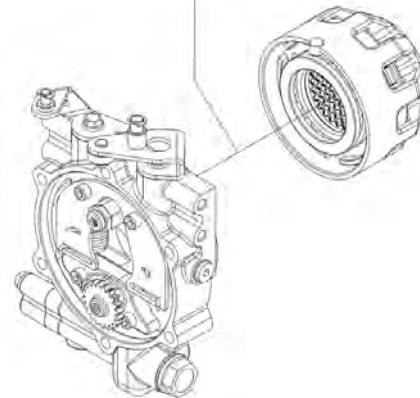
GX 240-270-340-390
B&S 1450-B&S2100



15LD350-440-L70-L100
KD350-KD400



15LD500-3LD510

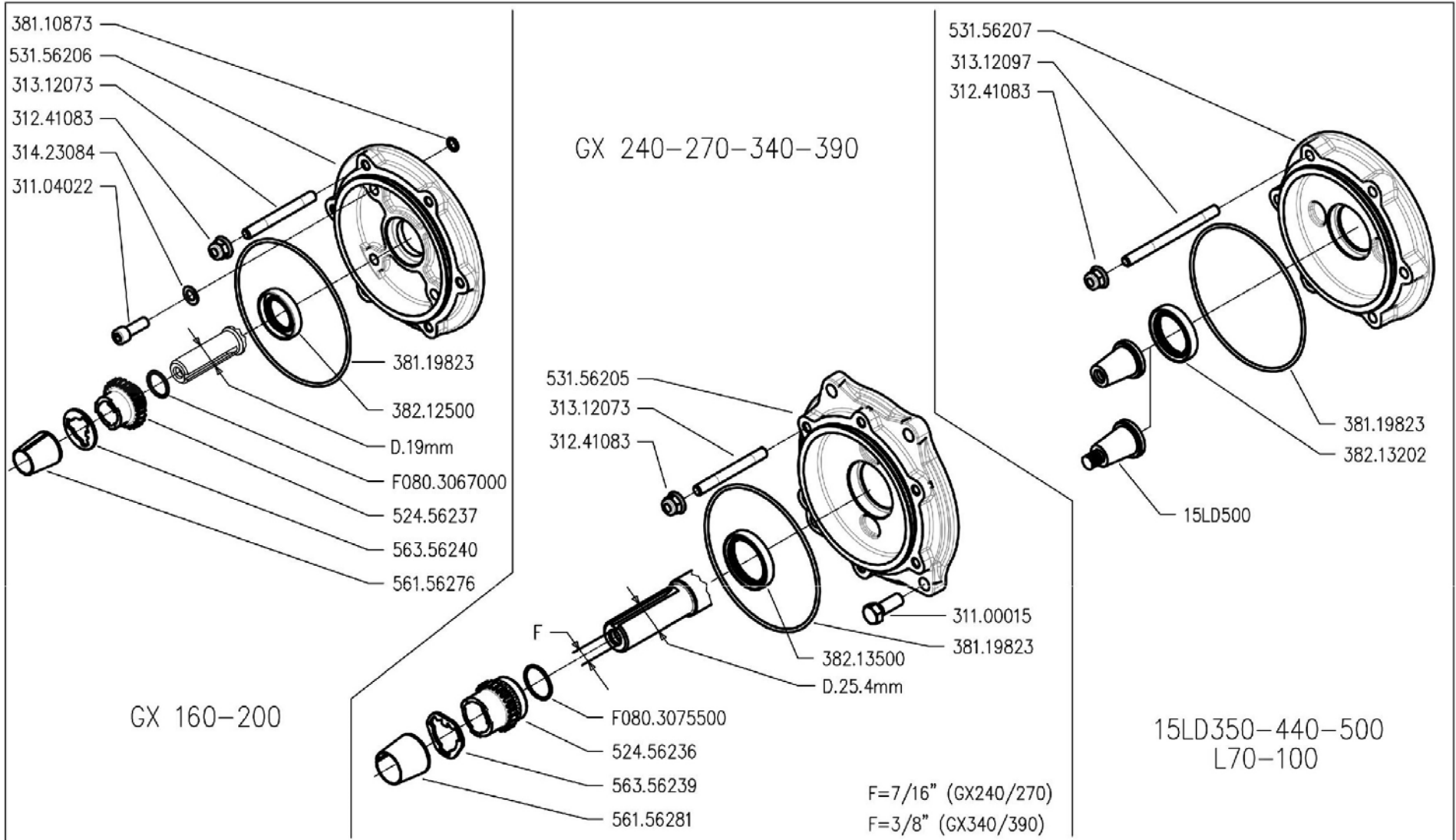


i = info - stop 2 sec. ★ = new part



Pos.	Id	Q.ty	Description	Note
1	52456234		HUB Q19	
2	38110675		O-RING 106 (6,75X1,78)	
3	56156288Z		SPECIAL WASHER SP.4	
4	31421083		WASHER	
5	31100023		SCREW 5/16-24 X 1 UNF 8G	
6	52456233		HUB Q25	
7	56156743		RONDELLA 30X11.5X3	GX240-270/REPLACE 31100029+31100031+56556282
7	561C0421		WASHER	GX340-390/REPLACE 31100029+31100031+56556282
8	31421101		WASHER 10 DIN 679	REPLACE 31100029+31100031+56556282/GX340-390
8	31421130		WASHER	
9	31100032		VITE TCCEI 7/16-20 X 1-1/2 UNF	GX240-270/REPLACE 31100029+31100031+56556282
9	31100033		SCREW TCCEI 3/8-24 X 1-1/2	GX340-390/REPLACE 31100029+31100031+56556282
10	38111872		O-RING 3075 (18,72x2,62)	
11	52456245		HUB	
12	31421083		WASHER	
13	31152090		SCREW TCEI M8x80 UNI5931	
14	56347873		WASHER	
15	56347870Z		SPECIAL NUT	
16	35111029		SEEGER RING I 28 UNI 7437	





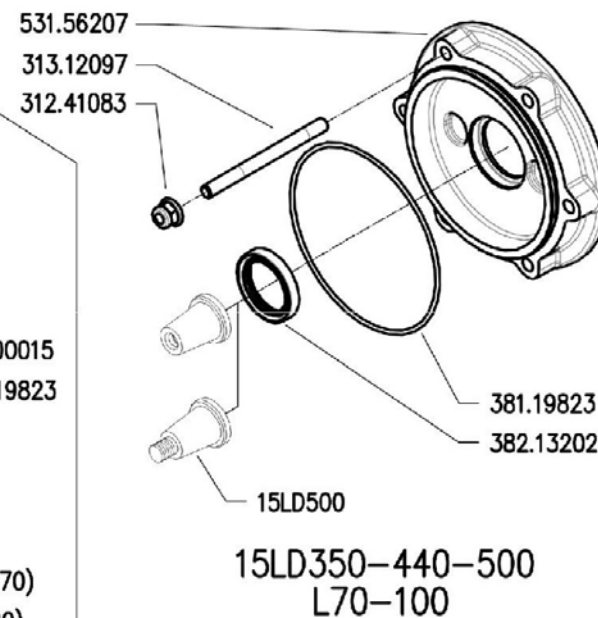
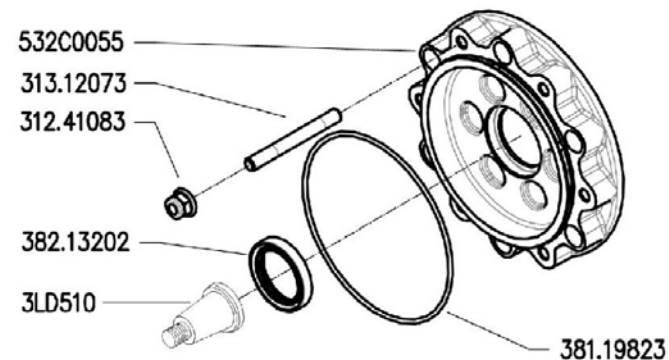
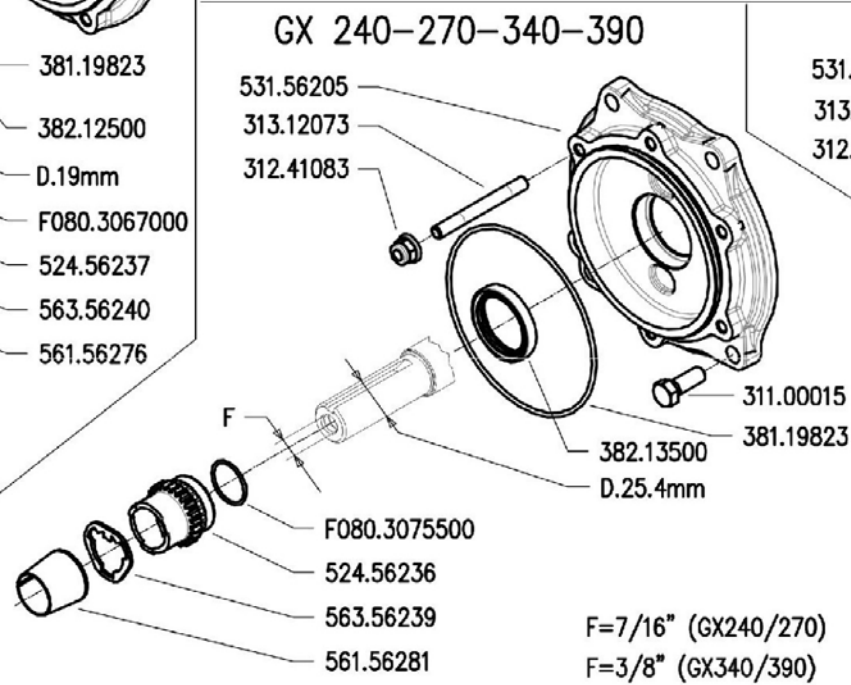
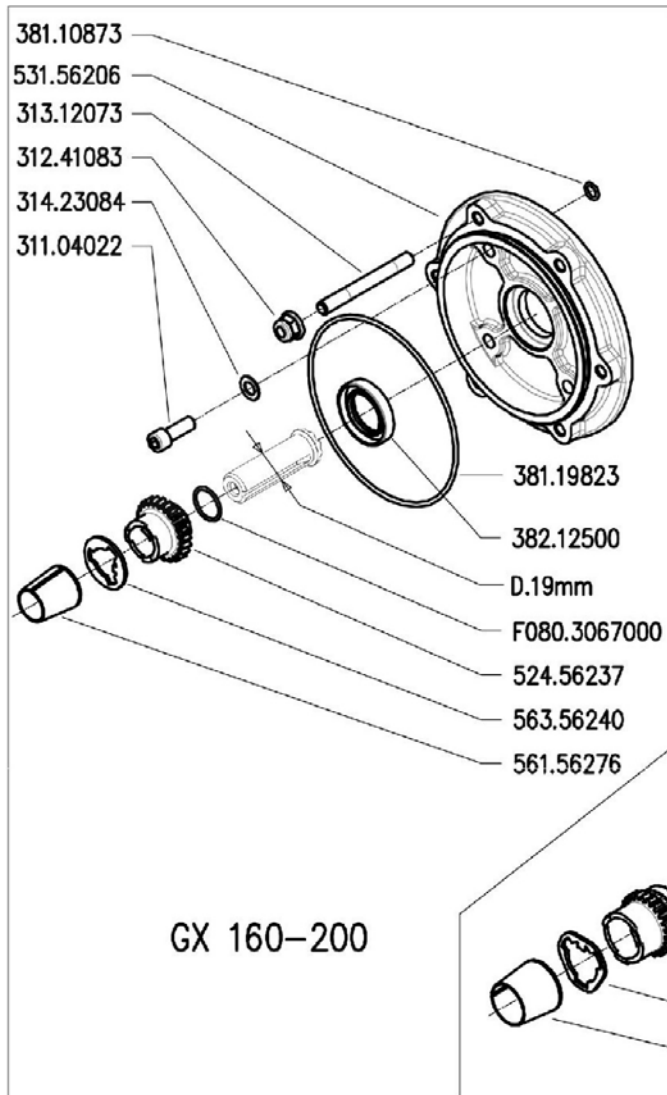
	700 serie PS PowerSafe®	ENGINE FLANGES	FLANGIE MOTORE	DALLA MACCHINA DE LA MAQUINA FROM THE MACHINE AB DER MASCHINE	N.	F01	Rev.
		BRIDAS MOTOR	BRIDES MOTEUR				MOTOR FLANSCH
						05/2009	

DME/BCS - Scala 1:6



Pos.	Id	Q.ty	Description	Note
31100015	31100015	1	SCREW TE 3/8X1	
31104022	31104022	1	SCREW TCEI 5/16X7/8 UNF 12K	
31241083	31241083	1	SELFLOCK NUT M8	
31312073	31312073	1	STUD BOLT M8X73X14X20 8G	
31312097	31312097	1	STUD BOLT M8X98X16X28 8G	
31423084	31423084	1	SPRING WASHER 8,4	
38110873	38110873	1	O-RING 108 (8,73X1,78)	
38119823	38119823	1	O-RING 3450 (113,97x2,62)	
38212500	38212500	1	OIL SEAL 25X40X7	
38213202	38213202	1	OIL SEAL 32X45X7	
38213500	38213500	1	OIL SEAL 35X47X7	
52456236	52456236	1	PUMP GEAR	
52456237	52456237	1	PUMP GEAR	
53156205	53156205	1	ENGINE FLANGE Q25	
53156206	53156206	1	ENGINE FLANGE Q19	
53156207	53156207	1	ENGINE FLANGE	
56156276	56156276	1	SLEEVE D.19	
56156281	56156281	1	CENTRING BUSH D.25,4	
56356239	56356239	1	FEEDER Q25	
56356240	56356240	1	TRANSMISSION	
F0803067000	F0803067000	1	O-RING 2075 (18,77X1,78)	
F0803075500	F0803075500	1	O-RING 2100 (25,12X1,78)	





700 serie PS
PowerSafe®

ENGINE FLANGES
BRIDAS MOTOR

FLANGIE MOTORE

BRIDES MOTEUR
MOTOR FLANSCH

DALLA MACCHINA
DE LA MAQUINA
FROM THE MACHINE
AB DER MASCHINE

★ N.

AGGIORNAMENTO
APLAZAMIENTO
MISE A JOUR
REVISION
ANPASSUNG

F01

11/2010

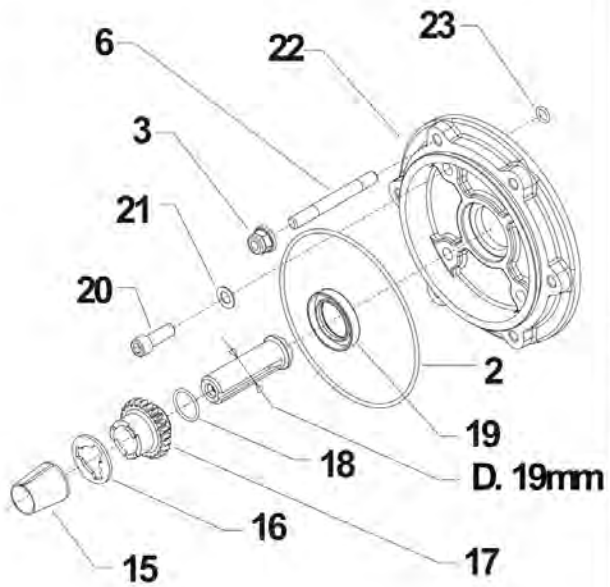
Rev. 1

DTE BCS - Scala 1:1



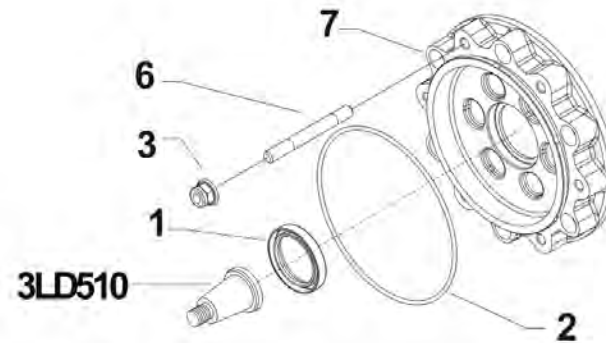
Pos.	Id	Q.ty	Description	Note
31100015	31100015	1	SCREW TE 3/8X1	
31104022	31104022	1	SCREW TCEI 5/16X7/8 UNF 12K	
31241083	31241083	1	SELFLOCK NUT M8	
31312073	31312073	1	STUD BOLT M8X73X14X20 8G	
31312097	31312097	1	STUD BOLT M8X98X16X28 8G	
31423084	31423084	1	SPRING WASHER 8,4	
38110873	38110873	1	O-RING 108 (8,73X1,78)	
38119823	38119823	1	O-RING 3450 (113,97x2,62)	
38212500	38212500	1	OIL SEAL 25X40X7	
38213202	38213202	1	OIL SEAL 32X45X7	
38213500	38213500	1	OIL SEAL 35X47X7	
52456236	52456236	1	PUMP GEAR	
52456237	52456237	1	PUMP GEAR	
53156205	53156205	1	ENGINE FLANGE Q25	
53156206	53156206	1	ENGINE FLANGE Q19	
53156207	53156207	1	ENGINE FLANGE	
532C0055	532C0055	1	ACT ENGINE FLANGE	
56156276	56156276	1	SLEEVE D.19	
56156281	56156281	1	CENTRING BUSH D.25,4	
56356239	56356239	1	FEEDER Q25	
56356240	56356240	1	TRANSMISSION	
F0803067000	F0803067000	1	O-RING 2075 (18,77X1,78)	
F0803075500	F0803075500	1	O-RING 2100 (25,12X1,78)	



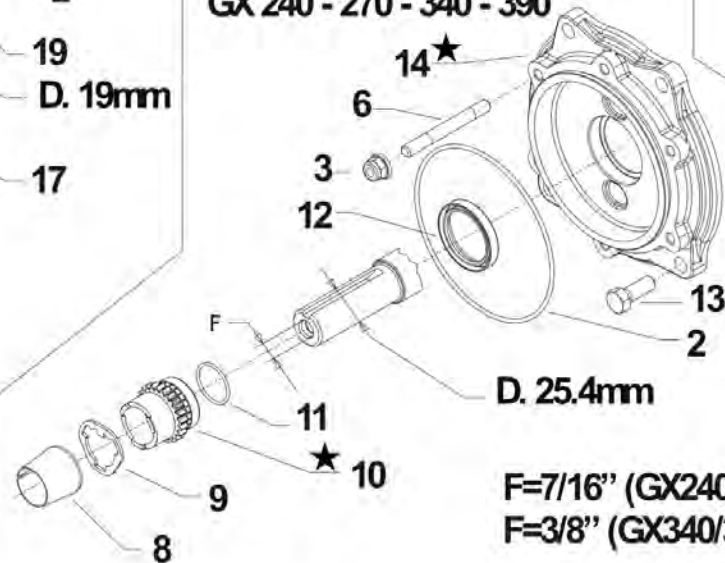


GX 160 - 200
Ex21 - Gp160★

3LD510

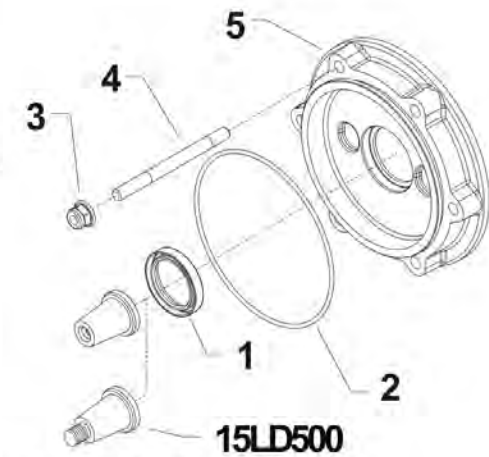


B&S 2100★ B&S 1450★
GX 240 - 270 - 340 - 390



D. 25.4mm

F=7/16" (GX240/270)
F=3/8" (GX340/390)



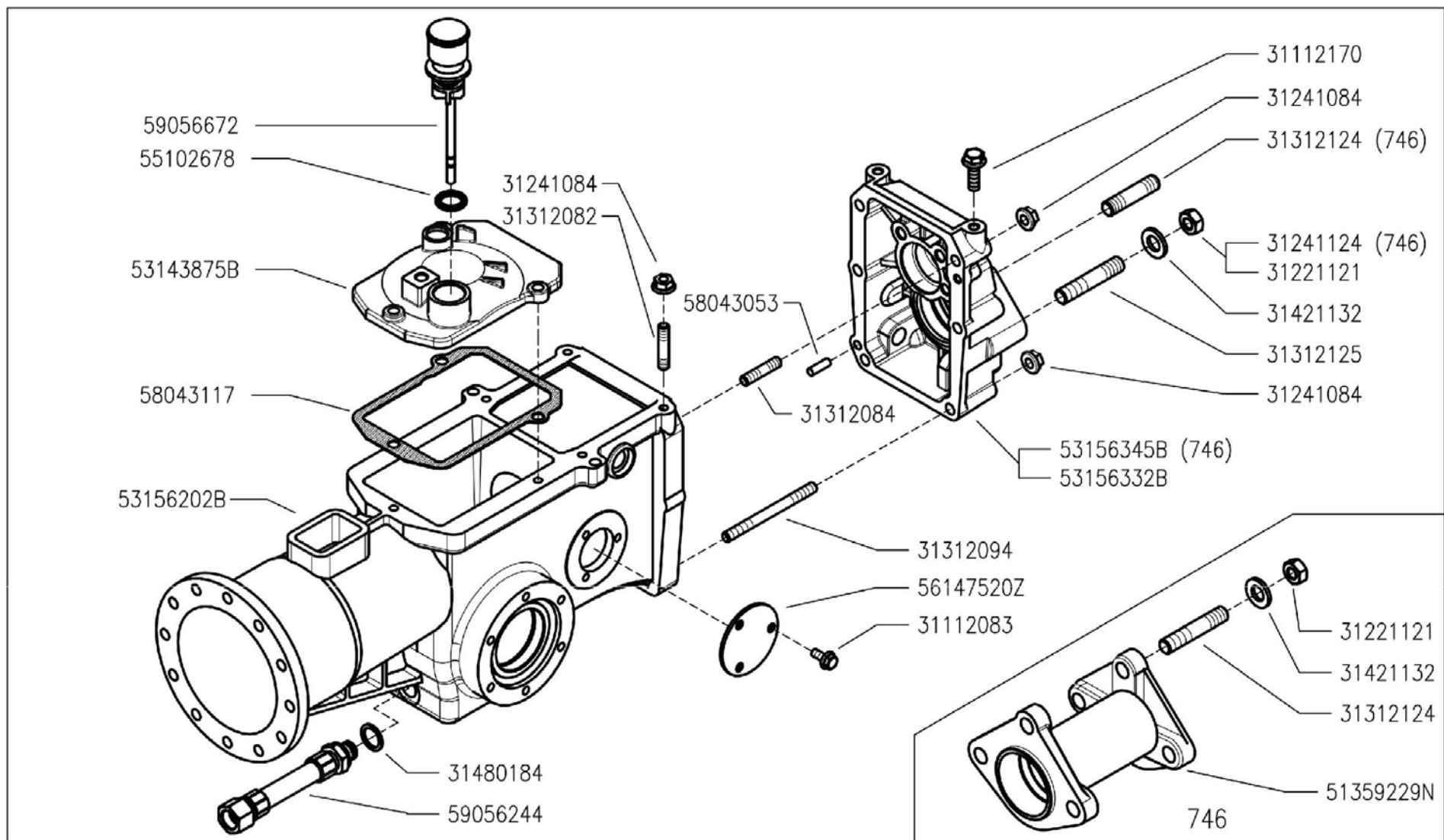
15LD350 - 440 - 500
Kd350★ - Kd440★
L70 - L100

i = info - stop 2 sec. ★ = new part



Pos.	Id	Q.ty	Description	Note
1	38213202		OIL SEAL 32X45X7	
2	38119823		O-RING 3450 (113,97x2,62)	
3	31241083		SELFLOCK NUT M8	
4	31312097		STUD BOLT M8X98X16X28 8G	
5	53156207		ENGINE FLANGE	
6	31312073		STUD BOLT M8X73X14X20 8G	
7	532C0055		ACT ENGINE FLANGE	
8	56156281		CENTRING BUSH D.25,4	
9	56356239		FEEDER Q25	
10	52456236		PUMP GEAR	
10	52456352		PUMP GEAR	EX 35 - B&S 2100
11	F0803075500		O-RING 2100 (25,12X1,78)	
12	38213500		OIL SEAL 35X47X7	
13	31100015		SCREW TE 3/8X1	
14	53156205		ENGINE FLANGE Q25	
14	53256692		ENGINE FLANGE B&S 2100	B&S 2100
15	56156276		SLEEVE D.19	
16	56356240		TRANSMISSION	
17	52456237		PUMP GEAR	
18	F0803067000		O-RING 2075 (18,77X1,78)	
19	38212500		OIL SEAL 25X40X7	
20	31104022		SCREW TCEI 5/16X7/8 UNF 12K	
21	31423084		SPRING WASHER 8,4	
22	53156206		ENGINE FLANGE Q19	
23	38110873		O-RING 108 (8,73X1,78)	





700 serie PS
PowerSafe®

GEARBOX
CAJA DE CAMBIO

SCATOLA CAMBIO
(740-746)

BOITE DE VITESSES
WECHSELGETRIEBE

DALLA MACCHINA
DE LA MAQUINA
DE LA MACHINA
FROM THE MACHINE
AB DER MASCHINE

N.

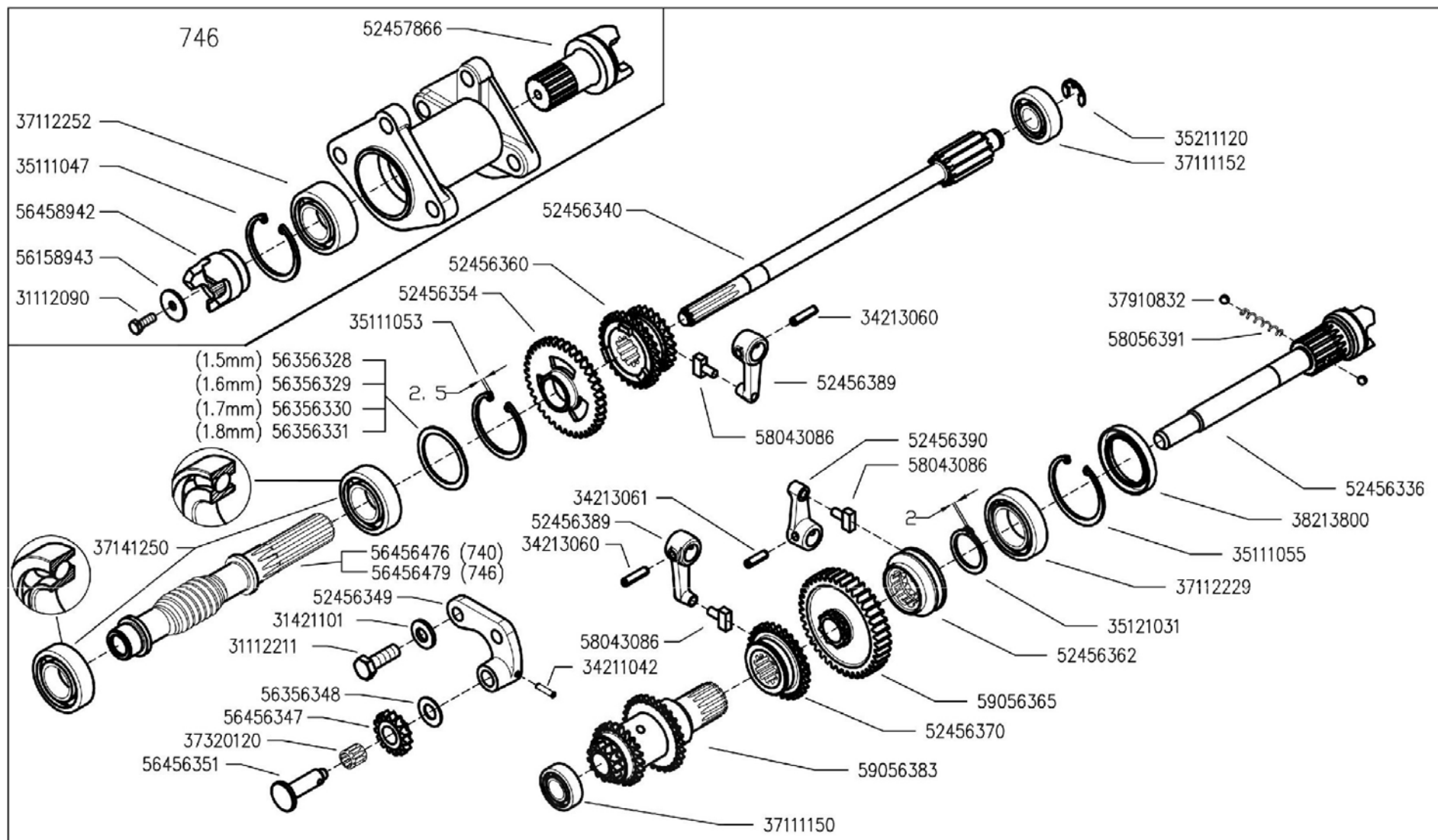
Rev.
G02 0

05/2009



Pos.	Id	Q.ty	Description	Note
31112083	31112083	1	SCREW M6X12	
31112170	31112170	1	SCREW TE C/F M8X20 DIN 6921	
31221121	31221121	1	NUT M12X1,25	
31241084	31241084	1	SELFLOCK NUT M8 6S	
31241124	31241124	1	SELFLOCK NUT M12x1,25	
31312082	31312082	1	STUD BOLT M8X38X14X20	
31312084	31312084	1	STUD BOLT M8X58X16X16	
31312094	31312094	1	STUD BOLT M8X68X14X36	
31312124	31312124	1	STUD BOLT 52XM12X1,25X22XM12X22 8G	
31312125	31312125	1	STUD BOLT 64XM12X1,25X26XM12X30 8G	
31421132	31421132	1	WASHER 13X24X2,8	
31480184	31480184	1	COPPER WASHER 16,7x22/1,5	
55102678	55102678	1	RUBBER RING	
58043053	58043053	1	CYLINDRICAL PLUG	
58043117	58043117	1	COVER GASKET	
59056244	59056244	1	SUCTION PIPE	
59056672	59056672	1	OIL LEVEL CAP W/SHAFT	
51359229N	51359229N	1	BODY	
53143875B	53143875B	1	GEARBOX HOUSING COVER	
53156202B	53156202B	1	BOX CASING	
53156332B	53156332B	1	REAR COVER	
53156345B	53156345B	1	REAR COVER	
56147520Z	56147520Z	1	COVER	





700 serie PS
PowerSafe®

GEARS
ENGRANAJES

INGRANAGGI CAMBIO
(740-746)

ENGRANAGES
ZÄHNRÄDER

DALLA MACCHINA
DE LA MAQUINA
FROM THE MACHINE
AB DER MASCHINE

N.

Rev.	0
H03	
05/2009	

MIT BCS - Scala 1:4

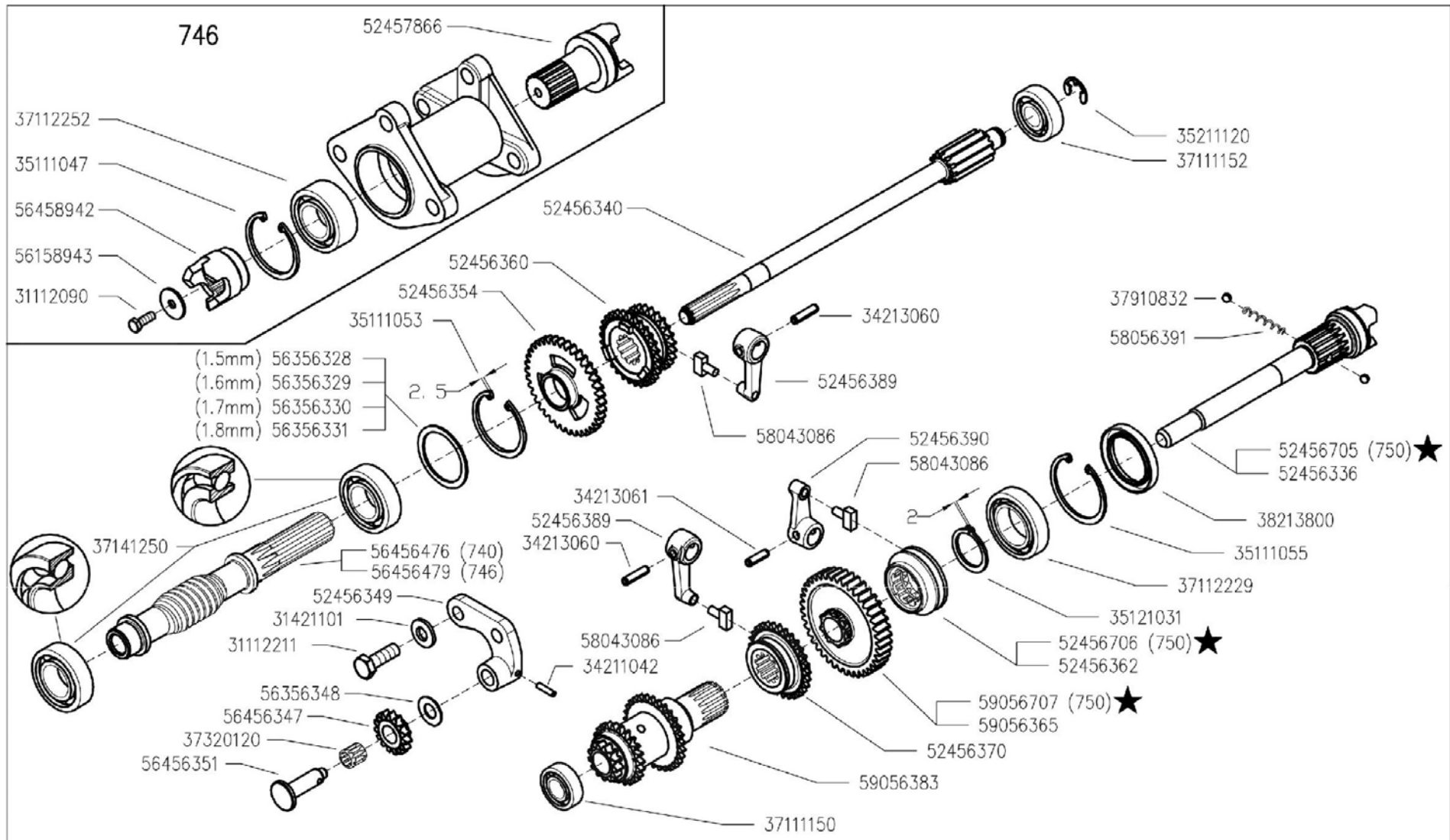


Pos.	Id	Q.ty	Description	Note
31112090	31112090	1	SCREW TE M6X16 UNI 5739 8G	
31112211	31112211	1	SCREW TE M10X30 UNI 5739	
31421101	31421101	1	WASHER 10 DIN 679	
34211042	34211042	1	ROLL PIN	
34213060	34213060	1	ROLL PIN	
34213061	34213061	1	ROLL PIN	
35111047	35111047	1	SEEGER RING I 47 DIN 472	
35111053	35111053	1	SEEGER RING I 52 UNI 7438	
35111055	35111055	1	SEEGER RING I 55 DIN 472	
35121031	35121031	1	SEEGER RING E 30 UNI 7436	
35211120	35211120	1	SEEGER RING E 12 UNI 7434	
37111150	37111150	1	BEARING 6202 (15X35X11)	
37111152	37111152	1	BEARING 6302 (15X42X13) SKF	
37112229	37112229	1	BEARING 6006 (30X55X13) SKF	
37112252	37112252	1	BEARING 6005-2RS (25X47X12)	
37141250	37141250	1	BEARING 7205-B OBL SKF	
37320120	37320120	1	ROLLER CAGE 12X15/10	
37910832	37910832	1	BALL 1/4	
38213800	38213800	1	OIL SEAL 38X55X7	
52456336	52456336	1	PTO SHAFT L=193	
52456340	52456340	1	SHAFT	
52456349	52456349	1	GEAR SUPPORT	
52456354	52456354	1	GEAR	
52456360	52456360	1	SLIDER	
52456362	52456362	1	COUPLING	
52456370	52456370	1	SLIDER	
52456389	52456389	1	LEVER	
52456390	52456390	1	LEVER	
52457866	52457866	1	SHAFT MM80	



Pos.	Id	Q.ty	Description	Note
56158943	56158943	1	WASHER 7,0x25/2	
56356328	56356328	1	ADJUSTING RING SP=1,5	
56356329	56356329	1	ADJUSTING RING SP=1,6	
56356330	56356330	1	ADJUSTING RING SP=1,7	
56356331	56356331	1	ADJUSTING RING SP=1,8	
56356348	56356348	1	ADJUSTING RING	
56456347	56456347	1	GEAR	
56456351	56456351	1	GEAR PIN	
56456476	56456476	1	SCREW 2	
56456479	56456479	1	SCREW 4 SN	
56458942	56458942	1	COUPLING D=25	
58043086	58043086	1	SHOE	
58056391	58056391	1	SPRING	
59056365	59056365	1	PTO GEAR	
59056383	59056383	1	TRIPLE GEAR	





700 serie PS
PowerSafe®

GEARS
ENGRANAJES

INGRANAGGI CAMBIO
(740-746-750 ★)

ENGRANAGES
ZÄHNRÄDER

DALLA MACCHINA
DE LA MAQUINA
FROM THE MACHINE
AB DER MASCHINE

★ N.

AGGIORNAMENTO
APLAZAMIENTO
MISE A JOUR
REVISION
ANPASSUNG

H03	Rev.	1
	11/2010	

DITE BCS - Scala 1:4

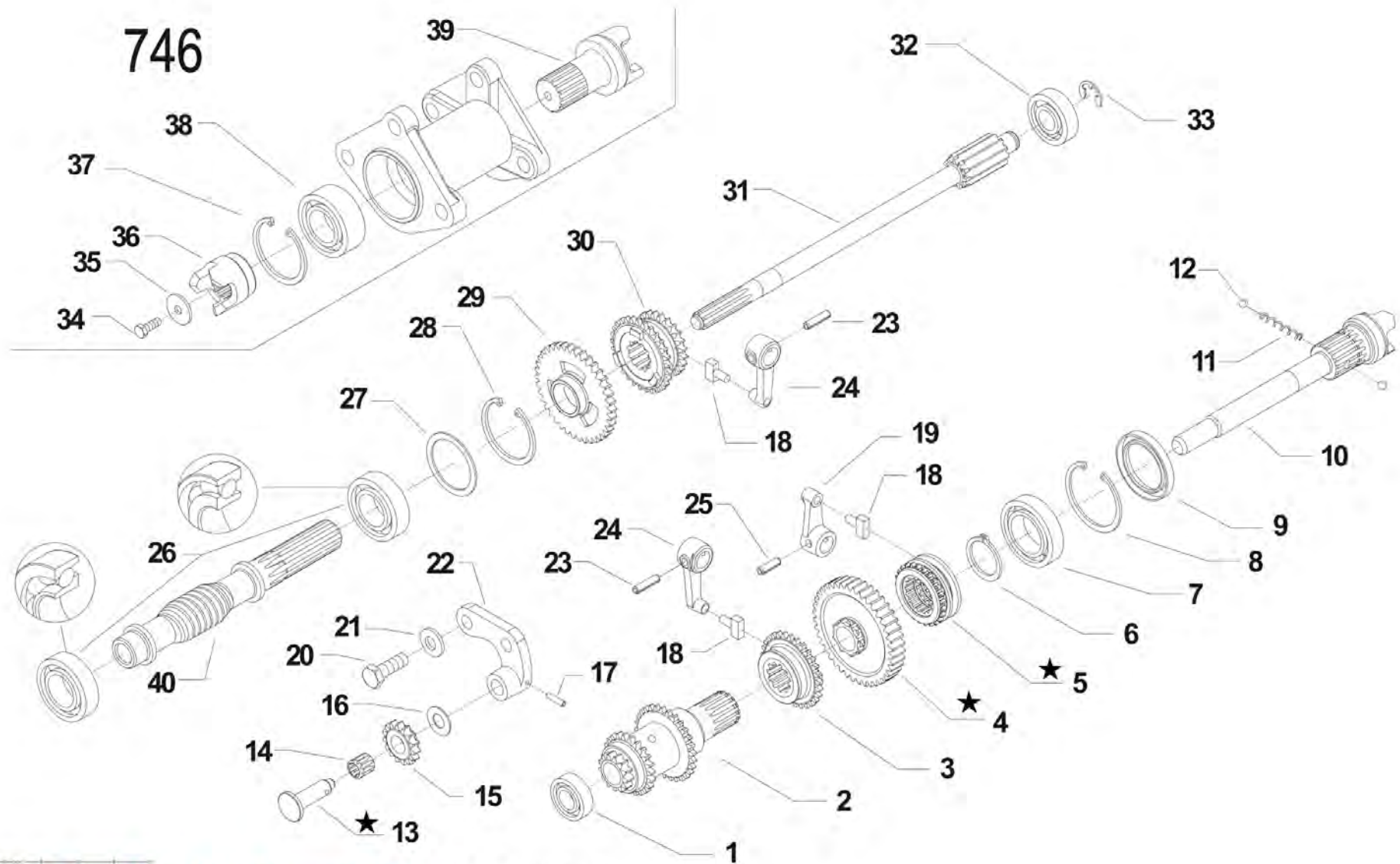


Pos.	Id	Q.ty	Description	Note
31112090	31112090	1	SCREW TE M6X16 UNI 5739 8G	
31112211	31112211	1	SCREW TE M10X30 UNI 5739	
31421101	31421101	1	WASHER 10 DIN 679	
34211042	34211042	1	ROLL PIN	
34213060	34213060	1	ROLL PIN	
34213061	34213061	1	ROLL PIN	
35111047	35111047	1	SEEGER RING I 47 DIN 472	
35111053	35111053	1	SEEGER RING I 52 UNI 7438	
35111055	35111055	1	SEEGER RING I 55 DIN 472	
35121031	35121031	1	SEEGER RING E 30 UNI 7436	
35211120	35211120	1	SEEGER RING E 12 UNI 7434	
37111150	37111150	1	BEARING 6202 (15X35X11)	
37111152	37111152	1	BEARING 6302 (15X42X13) SKF	
37112229	37112229	1	BEARING 6006 (30X55X13) SKF	
37112252	37112252	1	BEARING 6005-2RS (25X47X12)	
37141250	37141250	1	BEARING 7205-B OBL SKF	
37320120	37320120	1	ROLLER CAGE 12X15/10	
37910832	37910832	1	BALL 1/4	
38213800	38213800	1	OIL SEAL 38X55X7	
52456336	52456336	1	PTO SHAFT L=193	
52456340	52456340	1	SHAFT	
52456349	52456349	1	GEAR SUPPORT	
52456354	52456354	1	GEAR	
52456360	52456360	1	SLIDER	
52456362	52456362	1	COUPLING	
52456370	52456370	1	SLIDER	
52456389	52456389	1	LEVER	
52456390	52456390	1	LEVER	
52456705	52456705	1	PTO SHAFT	



Pos.	Id	Q.ty	Description	Note
52456706	52456706	1	PTO COUPLING	
52457866	52457866	1	SHAFT MM80	
56158943	56158943	1	WASHER 7,0x25/2	
56356328	56356328	1	ADJUSTING RING SP=1,5	
56356329	56356329	1	ADJUSTING RING SP=1,6	
56356330	56356330	1	ADJUSTING RING SP=1,7	
56356331	56356331	1	ADJUSTING RING SP=1,8	
56356348	56356348	1	ADJUSTING RING	
56456347	56456347	1	GEAR	
56456351	56456351	1	GEAR PIN	
56456476	56456476	1	SCREW 2	
56456479	56456479	1	SCREW 4 SN	
56458942	56458942	1	COUPLING D=25	
58043086	58043086	1	SHOE	
58056391	58056391	1	SPRING	
59056365	59056365	1	PTO GEAR	
59056383	59056383	1	TRIPLE GEAR	
59056707	59056707	1	GEAR	





i = info - stop 2 sec. ★ = new part

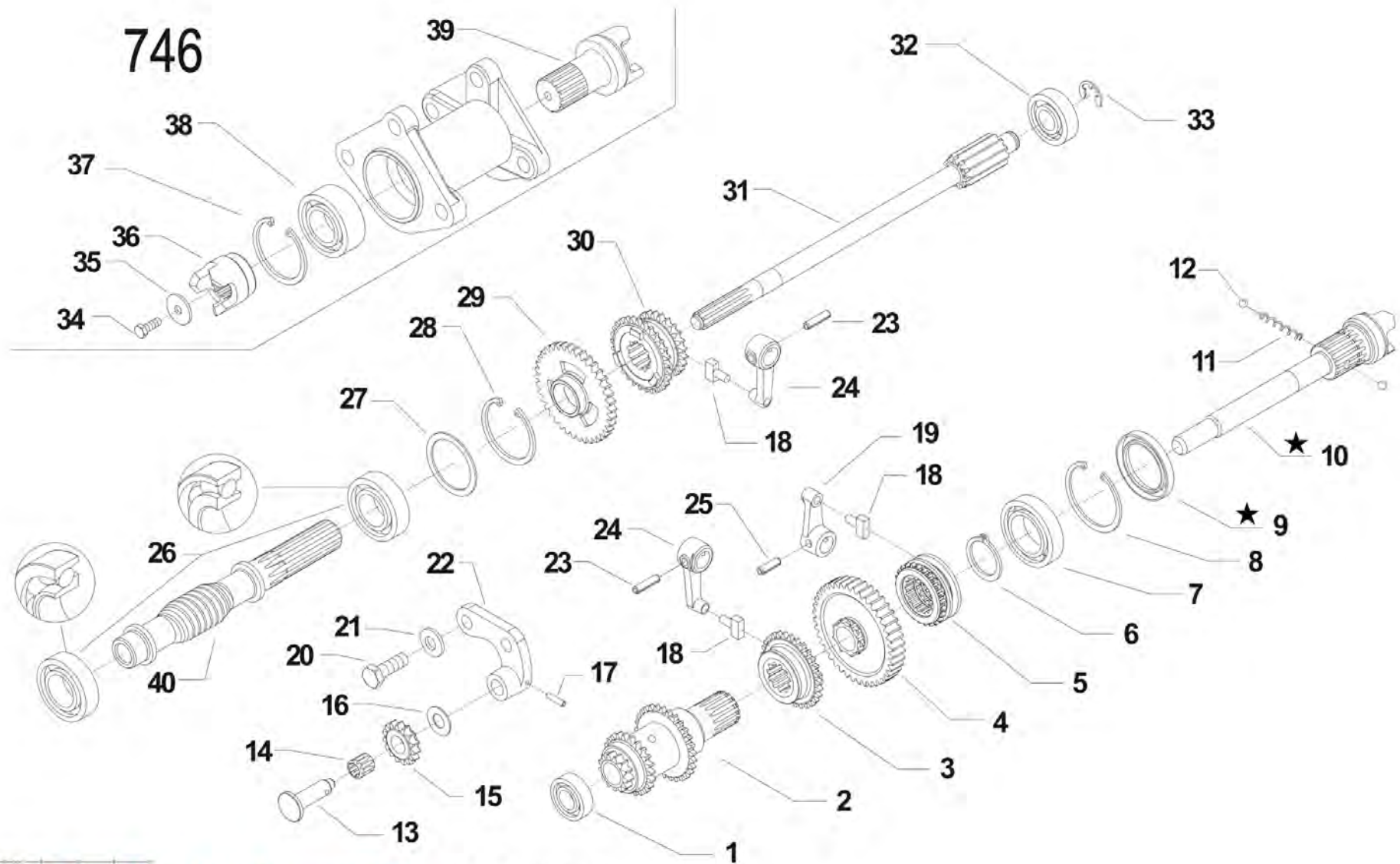


Pos.	Id	Q.ty	Description	Note
1	37111150		BEARING 6202 (15X35X11)	
2	59056383		TRIPLE GEAR	
3	52456370		SLIDER	
4	59056707		GEAR	Replaces 59056365 + 52456362 from serial 863327 for 740-746
5	52456706		PTO COUPLING	Replaces 59056365 + 52456362 from serial 863327 for 746-750
6	35121031		SEEGER RING E 30 UNI 7436	
7	37112229		BEARING 6006 (30X55X13) SKF	
8	35111055		SEEGER RING I 55 DIN 472	
9	38213800		OIL SEAL 38X55X7	
10	52456336		PTO SHAFT L=193	
10	52456705		PTO SHAFT	For Model 750
11	58056391		SPRING	
12	37910832		BALL 1/4	
13	56456736		GEAR PIN	Replaces 56456351
14	37320120		ROLLER CAGE 12X15/10	
15	56456347		GEAR	
16	56356348		ADJUSTING RING	
17	34211042		ROLL PIN	
18	58043086		SHOE	
19	52456390		LEVER	
20	31112211		SCREW TE M10X30 UNI 5739	
21	31421101		WASHER 10 DIN 679	
22	52456349		GEAR SUPPORT	
23	34213060		ROLL PIN	
24	52456389		LEVER	
25	34213061		ROLL PIN	
26	37141250		BEARING 7205-B OBL SKF	
27	56356328		ADJUSTING RING SP=1,5	
27	56356329		ADJUSTING RING SP=1,6	



Pos.	Id	Q.ty	Description	Note
27	56356330		ADJUSTING RING SP=1,7	
27	56356331		ADJUSTING RING SP=1,8	
28	35111053		SEEGER RING I 52 UNI 7438	
29	52456354		GEAR	
30	52456360		SLIDER	
31	52456340		SHAFT	
32	37111152		BEARING 6302 (15X42X13) SKF	
33	35211120		SEEGER RING E 12 UNI 7434	
34	31112090		SCREW TE M6X16 UNI 5739 8G	
35	56158943		WASHER 7,0x25/2	
36	56458942		COUPLING D=25	
37	35111047		SEEGER RING I 47 DIN 472	
38	37112252		BEARING 6005-2RS (25X47X12)	
39	52457866		SHAFT MM80	
40	56456476		SCREW 2	For Model 740
40	56456479		SCREW 4 SN	For Model 746





i = info - stop 2 sec. ★ = new part

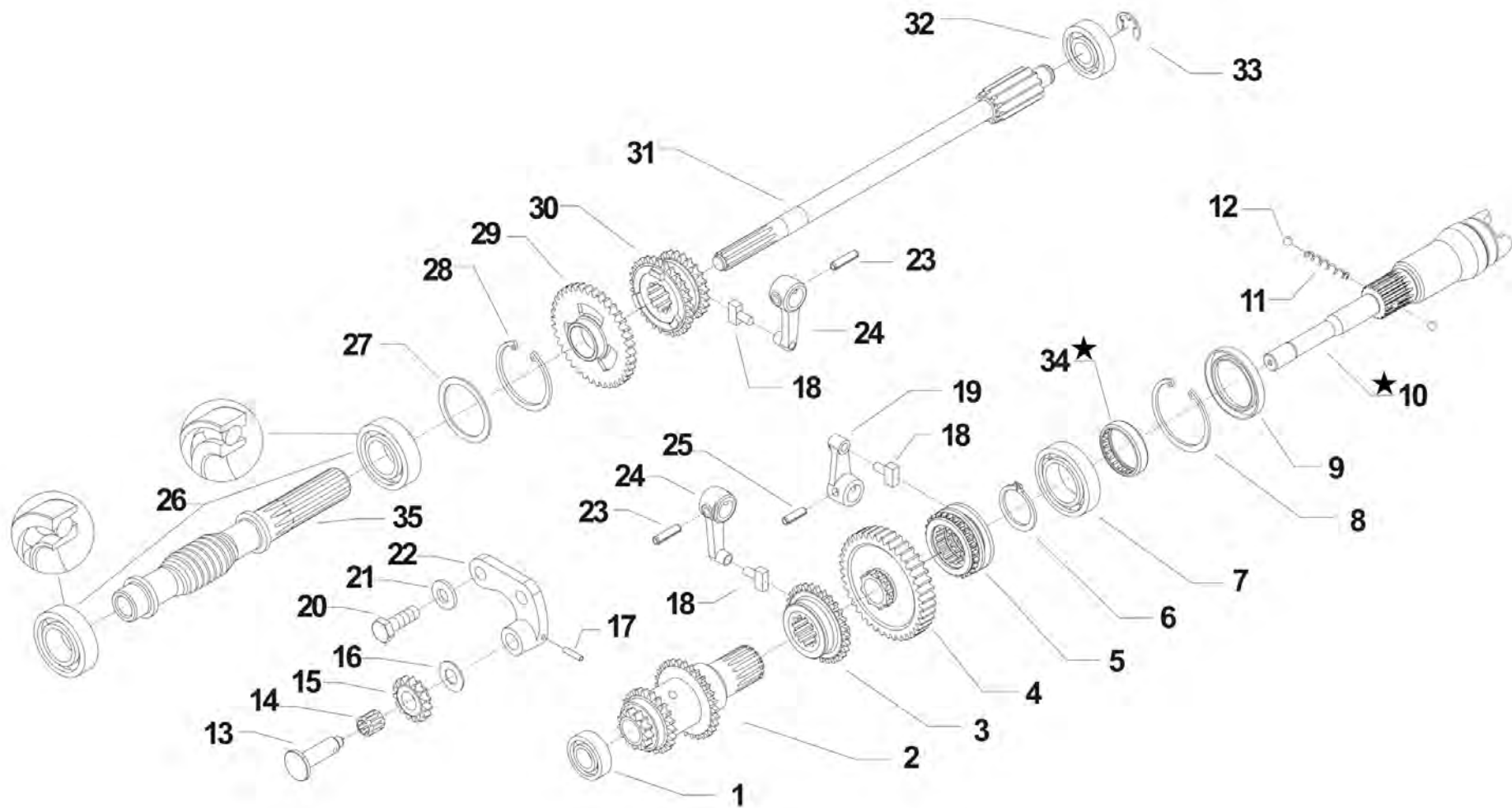


Pos.	Id	Q.ty	Description	Note
1	37111150		BEARING 6202 (15X35X11)	
2	59056383		TRIPLE GEAR	
3	52456370		SLIDER	
4	59056707		GEAR	
5	52456706		PTO COUPLING	
6	35121031		SEEGER RING E 30 UNI 7436	
7	37112229		BEARING 6006 (30X55X13) SKF	
8	35111055		SEEGER RING I 55 DIN 472	
9	38213800		OIL SEAL 38X55X7	
9	38214207		OIL SEAL 42X55X7	REPLACES 52456705 + 38213800 FOR MODEL 750
10	52456336		PTO SHAFT L=193	
10	52456713		PTO SHAFT	REPLACES 52456705 + 38213800 FOR MODEL 750
11	58056391		SPRING	
12	37910832		BALL 1/4	
13	56456736		GEAR PIN	
14	37320120		ROLLER CAGE 12X15/10	
15	56456347		GEAR	
16	56356348		ADJUSTING RING	
17	34211042		ROLL PIN	
18	58043086		SHOE	
19	52456390		LEVER	
20	31112211		SCREW TE M10X30 UNI 5739	
21	31421101		WASHER 10 DIN 679	
22	52456349		GEAR SUPPORT	
23	34213060		ROLL PIN	
24	52456389		LEVER	
25	34213061		ROLL PIN	
26	37141250		BEARING 7205-B OBL SKF	
27	56356328		ADJUSTING RING SP=1,5	



Pos.	Id	Q.ty	Description	Note
27	56356329		ADJUSTING RING SP=1,6	
27	56356330		ADJUSTING RING SP=1,7	
27	56356331		ADJUSTING RING SP=1,8	
28	35111053		SEEGER RING I 52 UNI 7438	
29	52456354		GEAR	
30	52456360		SLIDER	
31	52456340		SHAFT	
32	37111152		BEARING 6302 (15X42X13) SKF	
33	35211120		SEEGER RING E 12 UNI 7434	
34	31112090		SCREW TE M6X16 UNI 5739 8G	
35	56158943		WASHER 7,0x25/2	
36	56458942		COUPLING D=25	
37	35111047		SEEGER RING I 47 DIN 472	
38	37112252		BEARING 6005-2RS (25X47X12)	
39	52457866		SHAFT MM80	
40	56456476		SCREW 2	740
40	56456479		SCREW 4 SN	746 - 750





i = info - stop 2 sec. ★ = new part

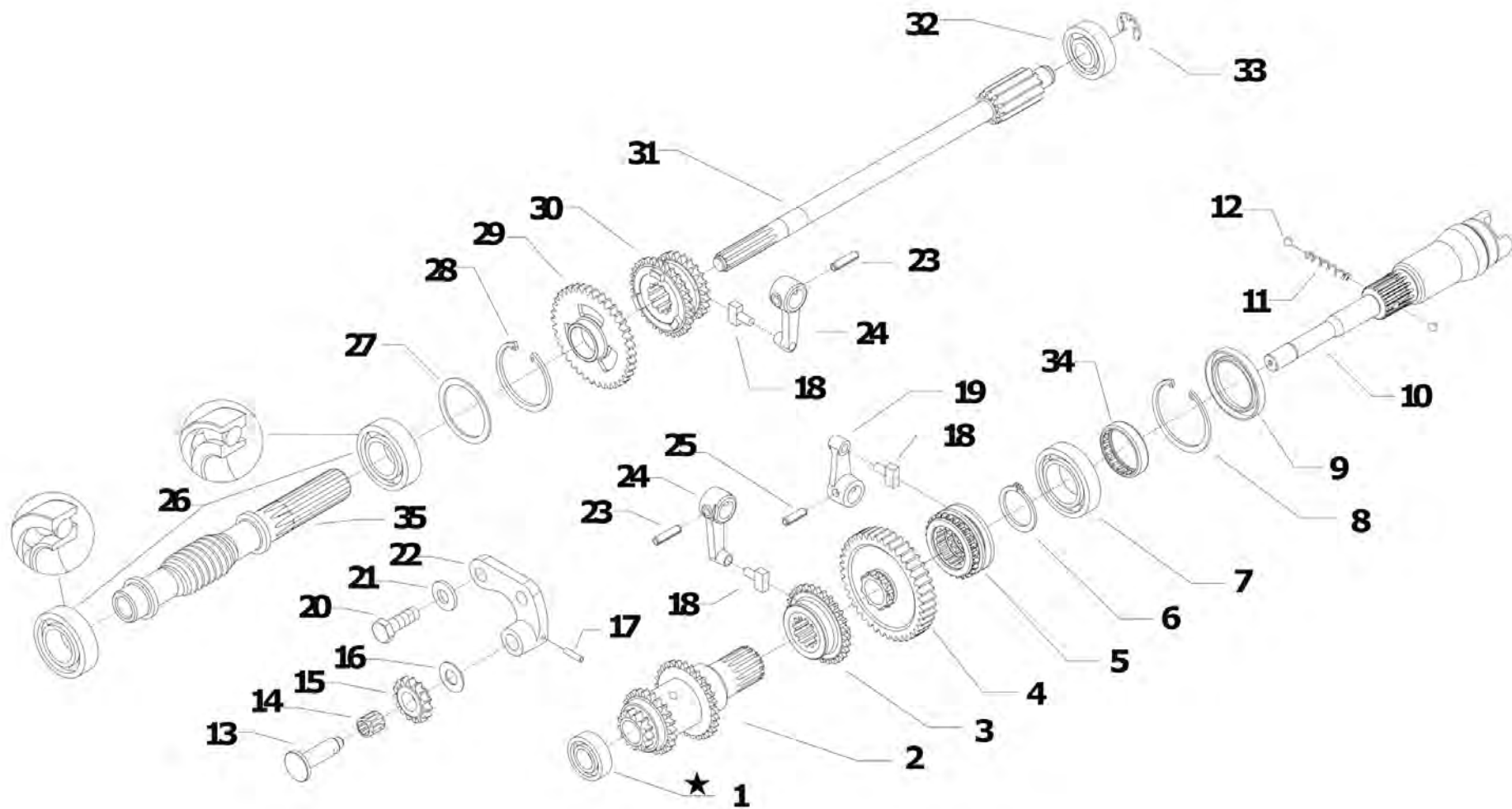


Pos.	Id	Q.ty	Description	Note
1	37111150		BEARING 6202 (15X35X11)	
2	59056383		TRIPLE GEAR	
3	52456370		SLIDER	
4	59056707		GEAR	
5	52456706		PTO COUPLING	
6	35121031		SEEGER RING E 30 UNI 7436	
7	37112229		BEARING 6006 (30X55X13) SKF	
8	35111055		SEEGER RING I 55 DIN 472	
9	38213800		OIL SEAL 38X55X7	
9	38214207		OIL SEAL 42X55X7	
10	52456336		PTO SHAFT L=193	
10	524C0061		PTO SHAFT 750-16	REPLACES 52456713 FOR THE 750 MODEL
11	58056391		SPRING	
12	37910832		BALL 1/4	
13	56456736		GEAR PIN	
14	37320120		ROLLER CAGE 12X15/10	
15	56456347		GEAR	
16	56356348		ADJUSTING RING	
17	34211042		ROLL PIN	
18	58043086		SHOE	
19	52456390		LEVER	
20	31112211		SCREW TE M10X30 UNI 5739	
21	31421101		WASHER 10 DIN 679	
22	52456349		GEAR SUPPORT	
23	34213060		ROLL PIN	
24	52456389		LEVER	
25	34213061		ROLL PIN	
26	37141250		BEARING 7205-B OBL SKF	
27	56356328		ADJUSTING RING SP=1,5	



Pos.	Id	Q.ty	Description	Note
27	56356329		ADJUSTING RING SP=1,6	
27	56356330		ADJUSTING RING SP=1,7	
27	56356331		ADJUSTING RING SP=1,8	
28	35111053		SEEGER RING I 52 UNI 7438	
29	52456354		GEAR	
30	52456360		SLIDER	
31	52456340		SHAFT	
32	37111152		BEARING 6302 (15X42X13) SKF	
33	35211120		SEEGER RING E 12 UNI 7434	
34	37331450		BUSHING R/NI HK (45X52X12)	
35	56456476		SCREW 2	740
35	56456479		SCREW 4 SN	750





 [Click for info](#)

★ = new part

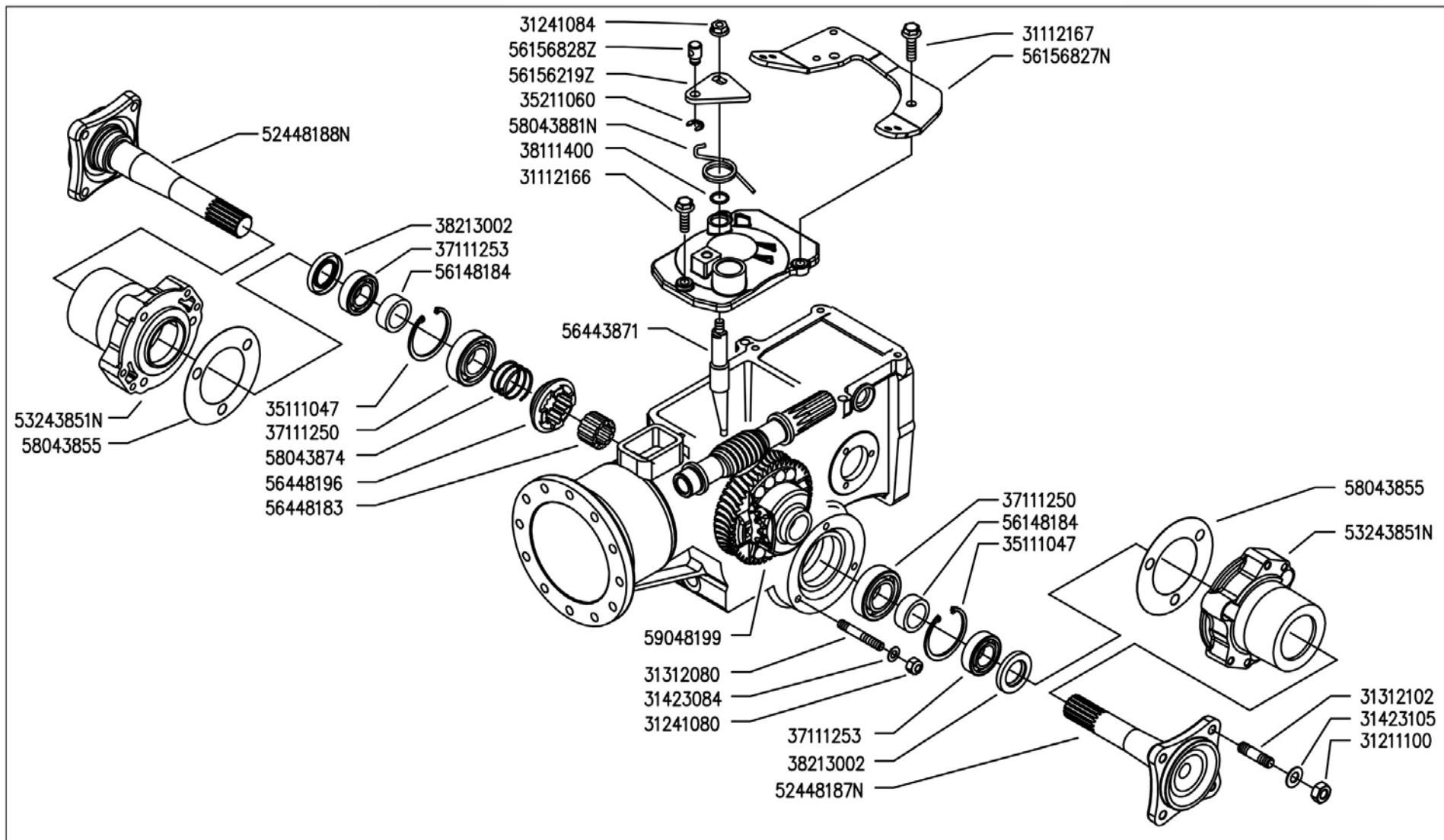


Pos.	Id	Q.ty	Description	Note
1	37111151		BEARING 6202 (15X35X11)	REPLACES 37111150
2	59056383		TRIPLE GEAR	
3	52456370		SLIDER	
4	59056707		GEAR	
5	52456706		PTO COUPLING	
6	35121031		SEEGER RING E 30 UNI 7436	
7	37112229		BEARING 6006 (30X55X13) SKF	
8	35111055		SEEGER RING I 55 DIN 472	
9	38213800		OIL SEAL 38X55X7	
9	38214207		OIL SEAL 42X55X7	
10	52456336		PTO SHAFT L=193	
10	524C0061		PTO SHAFT 750-16	REPLACES 52456713 FOR THE 750 MODEL
11	58056391		SPRING	
12	37910832		BALL 1/4	
13	56456736		GEAR PIN	
14	37320120		ROLLER CAGE 12X15/10	
15	56456347		GEAR	
16	56356348		ADJUSTING RING	
17	34211042		ROLL PIN	
18	58043086		SHOE	
19	52456390		LEVER	
20	31112211		SCREW TE M10X30 UNI 5739	
21	31421101		WASHER 10 DIN 679	
22	52456349		GEAR SUPPORT	
23	34213060		ROLL PIN	
24	52456389		LEVER	
25	34213061		ROLL PIN	
26	37141250		BEARING 7205-B OBL SKF	
27	56356328		ADJUSTING RING SP=1,5	



Pos.	Id	Q.ty	Description	Note
27	56356329		ADJUSTING RING SP=1,6	
27	56356330		ADJUSTING RING SP=1,7	
27	56356331		ADJUSTING RING SP=1,8	
28	35111053		SEEGER RING I 52 UNI 7438	
29	52456354		GEAR	
30	52456360		SLIDER	
31	52456340		SHAFT	
32	37111152		BEARING 6302 (15X42X13) SKF	
33	35211120		SEEGER RING E 12 UNI 7434	
34	37331450		BUSHING R/NI HK (45X52X12)	
35	56456476		SCREW 2	740
35	56456479		SCREW 4 SN	750





700 serie PS
PowerSafe®

WHEELS AXLE
EJE RUEDAS

ASSE RUOTE
(740)

ESSIEUS ROUES
RÄDACHSE

DALLA MACCHINA
DE LA MAQUINA
FROM THE MACHINE
AB DER MASCHINE

N.

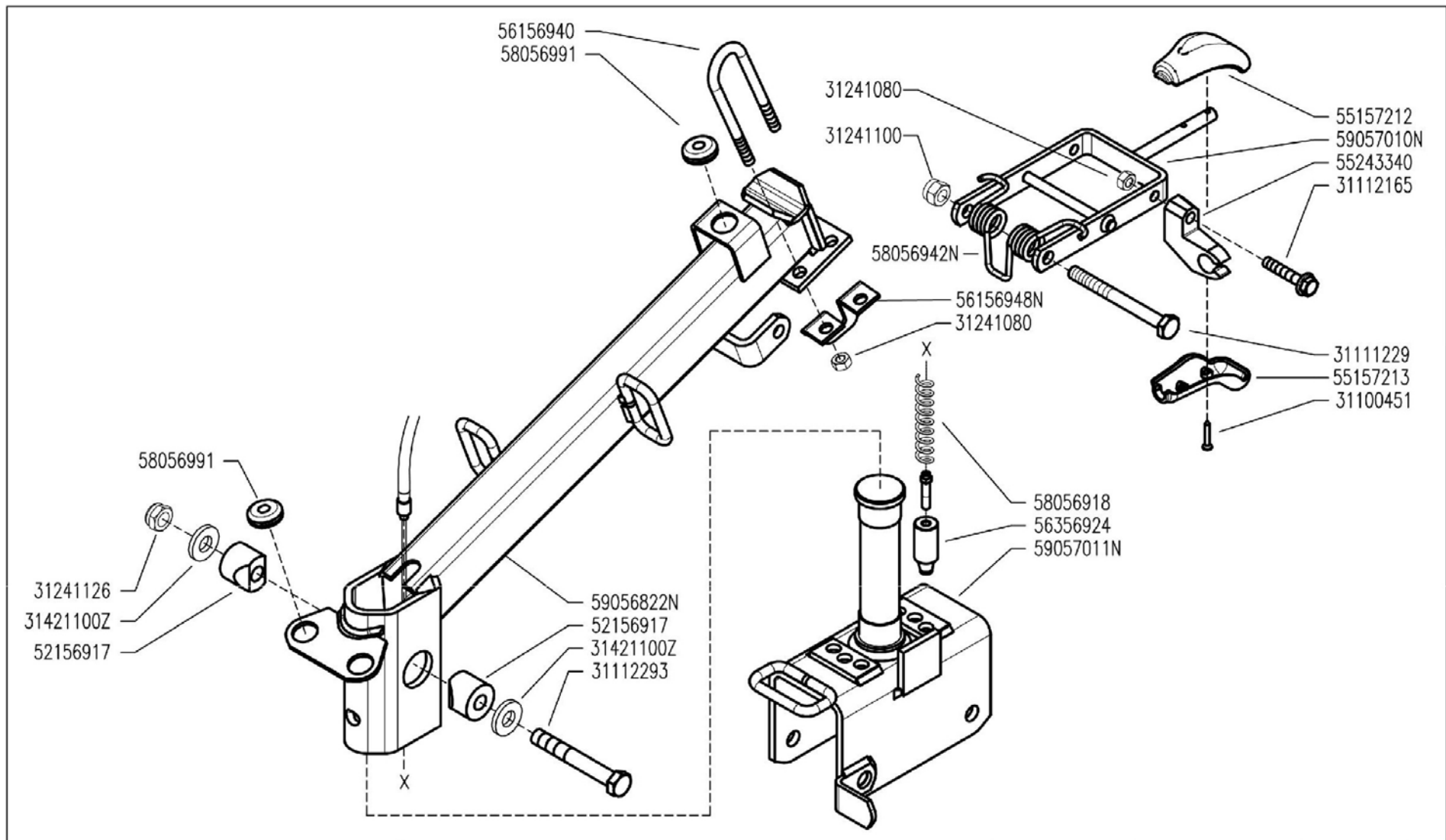
103	0
05/2009	

Rev.



Pos.	Id	Q.ty	Description	Note
31112166	31112166	1	SCREW TE C/F M8X25 DIN 6921 8G	
31112167	31112167	1	SCREW TE C/F M8X30 DIN 6921 8G	
31211100	31211100	1	NUT M10	
31241080	31241080	1	HEXAGON SELFLOCK NUT M8	
31241084	31241084	1	SELFLOCK NUT M8 6S	
31312080	31312080	1	STUD BOLT M8X46X20X12	
31312102	31312102	1	STUD BOLT M10X40X24X12	
31423084	31423084	1	SPRING WASHER 8,4	
31423105	31423105	1	SPRING WASHER 10,5	
35111047	35111047	1	SEEGER RING I 47 DIN 472	
35211060	35211060	1	SEEGER RING E 6 UNI 7434	
37111250	37111250	1	BEARING	
37111253	37111253	1	BEARING 6005 (25X47X12)	
38111400	38111400	1	O-RING (14,00X1,78)	
38213002	38213002	1	OIL SEAL 30X40X7	
56148184	56148184	1	RING	
56156827	56156827	1	STOP	
56443871	56443871	1	ROD	
56448183	56448183	1	SPACER	
56448196	56448196	1	COUPLING	
58043855	58043855	1	GASKET	
58043874	58043874	1	SPRING	
59048199	59048199	1	DIFFERENTIAL GEAR	
52448187N	52448187N	1	AXLE SHAFT	
52448188N	52448188N	1	AXLE SHAFT	
53243851N	53243851N	1	HUB	
56156219Z	56156219Z	1	LEVER	
56156828Z	56156828Z	1	STOP	
58043881N	58043881N	1	SPRING	





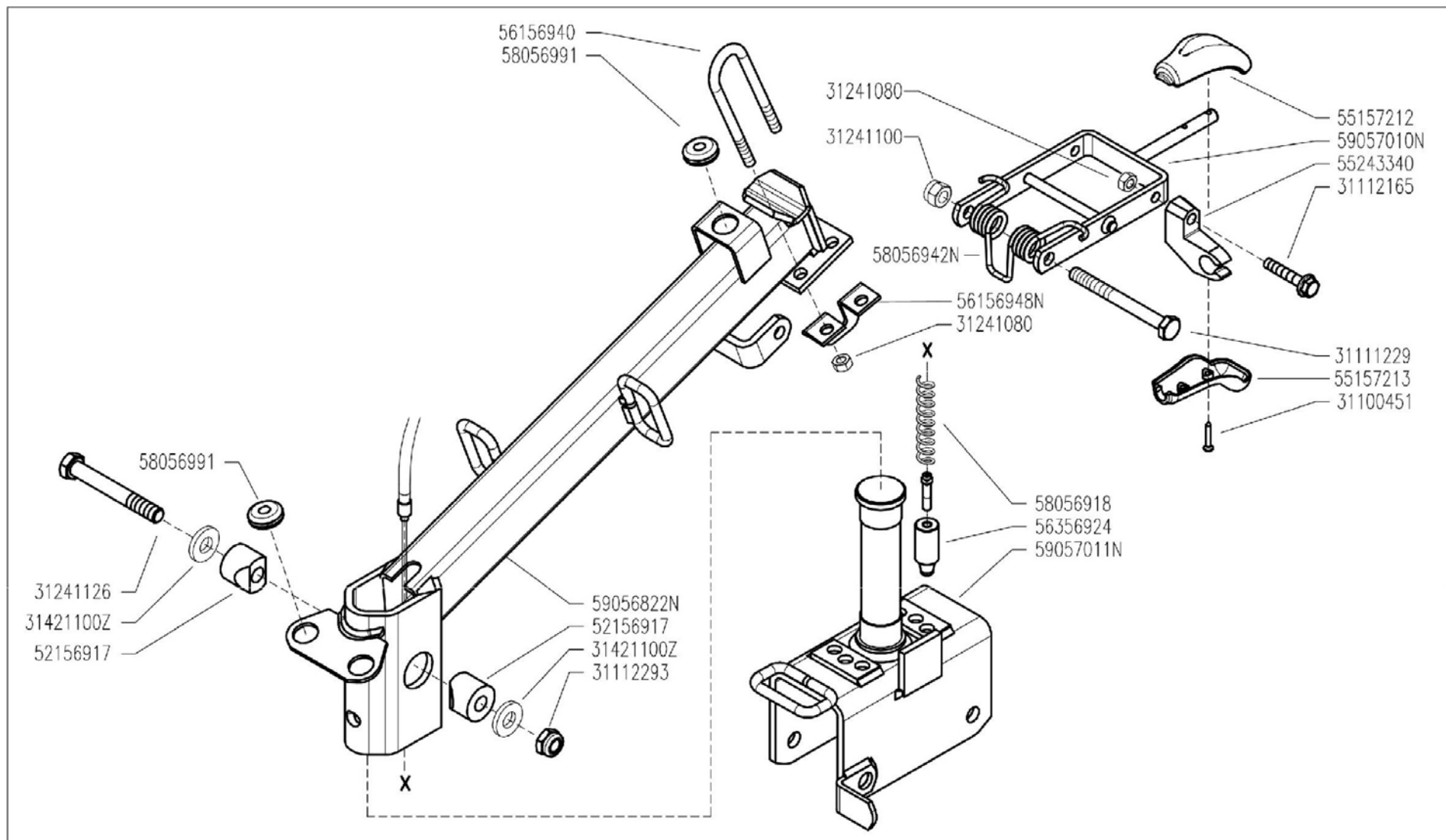
	700 serie PS PowerSafe®	STEERING COLUMN COLUMNA	PIANTONE (740-746)	PLANTON LENKSÄULE	DALLA MACCHINA DE LA MAQUINA FROM THE MACHINE AB DER MASCHINE	N.	Rev.
							J03 0
							05/2009

DME/BCS - Scala 1:4



Pos.	Id	Q.ty	Description	Note
31100451	31100451	1	SCREW 3,5X25	
31111229	31111229	1	SCREW TE M10X110 UNI 5737 8G	
31112165	31112165	1	SCREW TE C/F M8X35 DIN 6921 8G	
31112293	31112293	1	SCREW TE M12X80 UNI 5737	
31241080	31241080	1	HEXAGON SELFLOCK NUT M8	
31241100	31241100	1	SELFLOCK HEXAGON NUT M10	
31241126	31241126	1	SELFLOCK NUT M12	
52156917	52156917	1	WEDGE	
55157212	55157212	1	GRIP	
55157213	55157213	1	GRIP	
55243340	55243340	1	SUPPORT	
56156940	56156940	1	U BOLT	
56356924	56356924	1	FERRULE	
58056918	58056918	1	SPRING	
58056991	58056991	1	CABLE GLAND 90/200/30	
31421100Z	31421100Z	1	CUP SPRING 25X12,2X1,5 D2093	
56156948N	56156948N	1	STOP	
58056942N	58056942N	1	SPRING	
59056822N	59056822N	1	COLUMN	
59057010N	59057010N	1	LEVER	
59057011N	59057011N	1	CONNECTION	





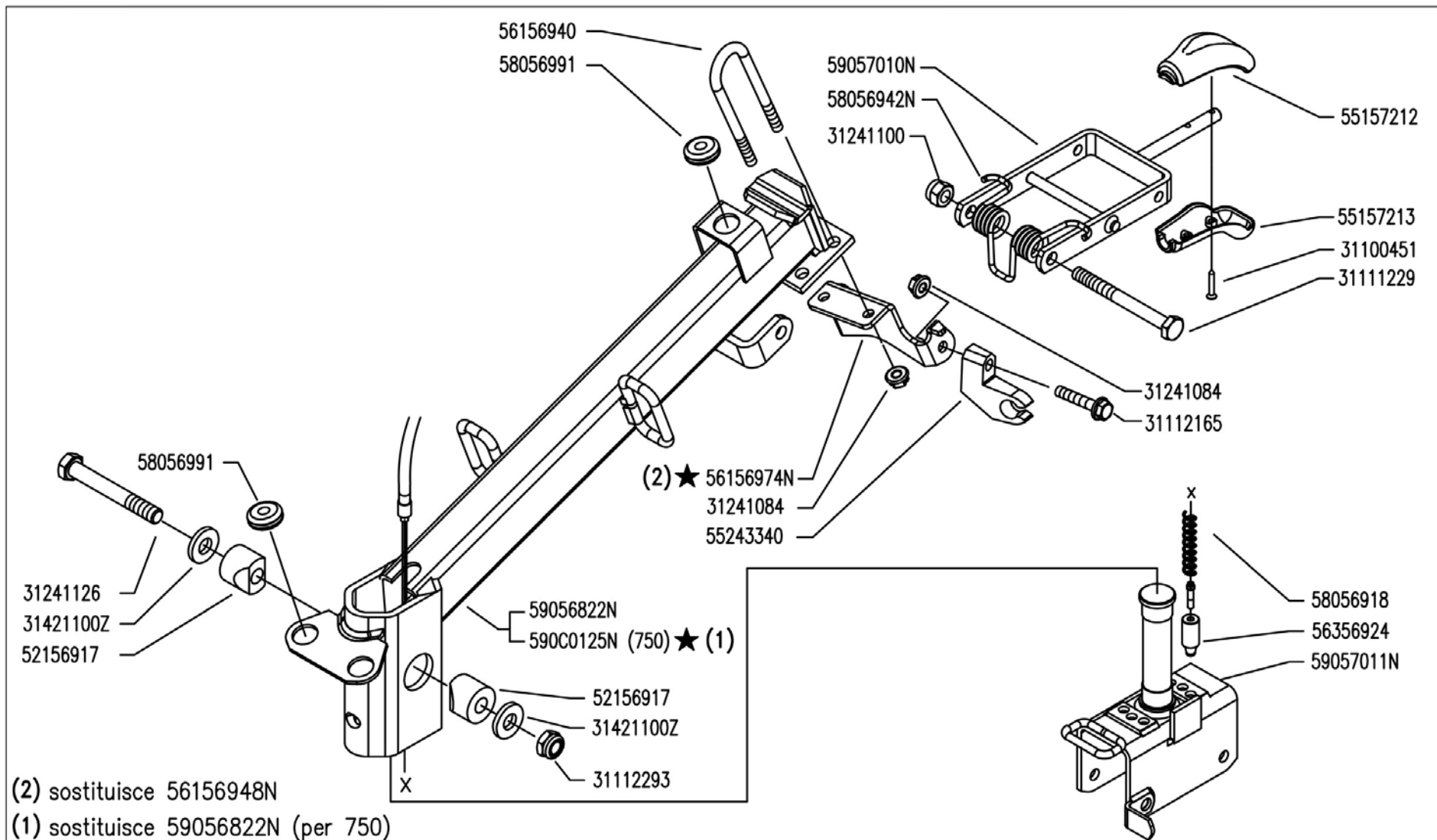
	700 serie PS PowerSafe®	STEERING COLUMN COLUMNA	PIANTONE (740-746-750 ★)	PLANTON LENKSÄULE	DALLA MACCHINA DE LA MAQUINA FROM THE MACHINE AB DER MASCHINE ★ N.	AGGIORNAMENTO	J03	Rev.
						APLAZAMIENTO		1
						MISE A JOUR		
						REVISION		
						ANPASSUNG		
							11/2010	

DITE BCS - Scala 1:4



Pos.	Id	Q.ty	Description	Note
31100451	31100451	1	SCREW 3,5X25	
31111229	31111229	1	SCREW TE M10X110 UNI 5737 8G	
31112165	31112165	1	SCREW TE C/F M8X35 DIN 6921 8G	
31112293	31112293	1	SCREW TE M12X80 UNI 5737	
31241080	31241080	1	HEXAGON SELFLOCK NUT M8	
31241100	31241100	1	SELFLOCK HEXAGON NUT M10	
31241126	31241126	1	SELFLOCK NUT M12	
52156917	52156917	1	WEDGE	
55157212	55157212	1	GRIP	
55157213	55157213	1	GRIP	
55243340	55243340	1	SUPPORT	
56156940	56156940	1	U BOLT	
56356924	56356924	1	FERRULE	
58056918	58056918	1	SPRING	
58056991	58056991	1	CABLE GLAND 90/200/30	
31421100Z	31421100Z	1	CUP SPRING 25X12,2X1,5 D2093	
56156948N	56156948N	1	STOP	
58056942N	58056942N	1	SPRING	
59056822N	59056822N	1	COLUMN	
59057010N	59057010N	1	LEVER	
59057011N	59057011N	1	CONNECTION	





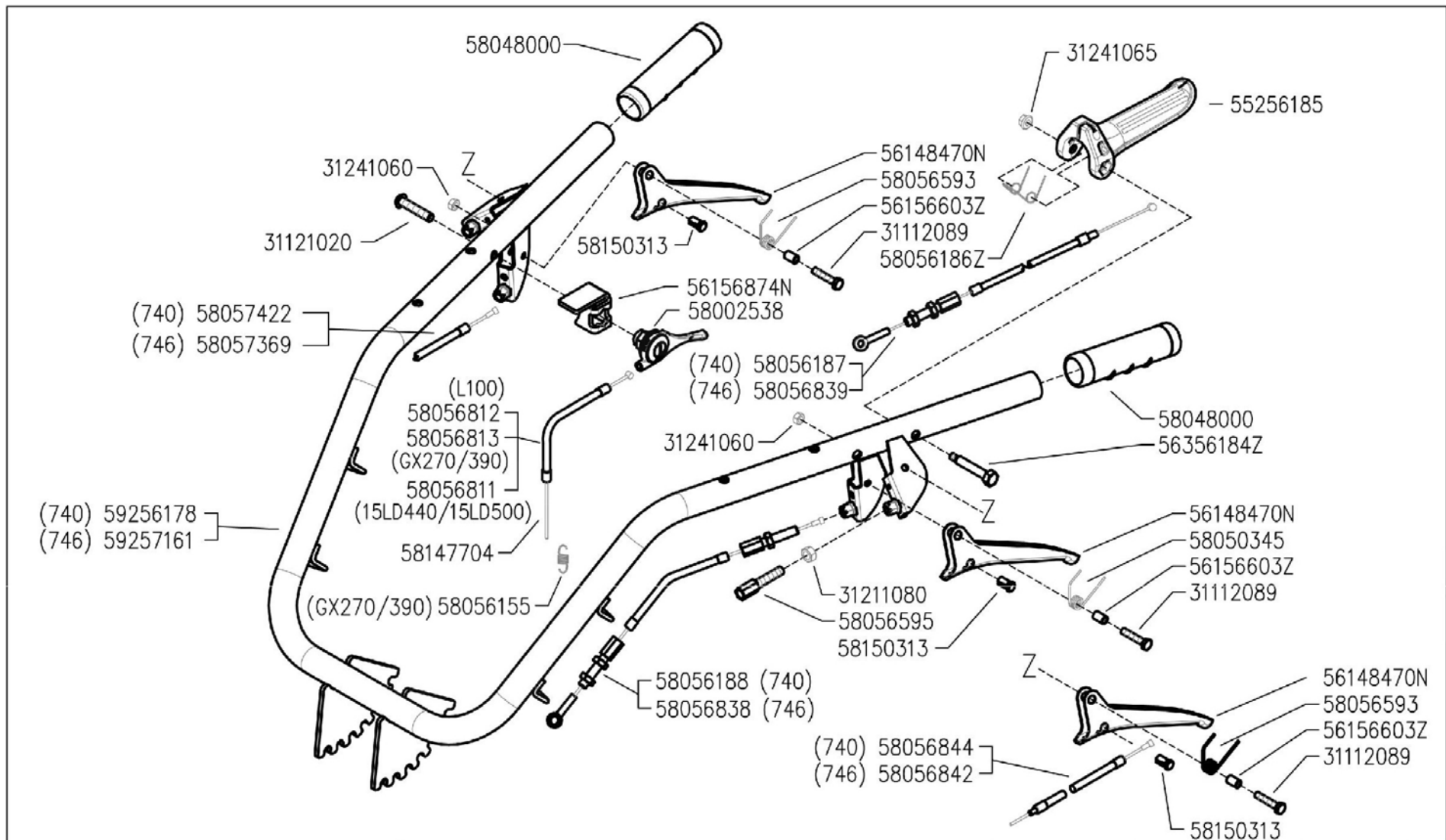
	700 serie PS PowerSafe®	STEERING COLUMN COLUMNA	PIANTONE (740-746-750)	PLANTON LENKSÄULE	DALLA MACCHINA DE LA MAQUINA DE LA MACHINA FROM THE MACHINE AB DER MASCHINE ★ N.	_____	J03	Rev. 2

						901936		



Pos.	Id	Q.ty	Description	Note
56156974	56156974N		SUPPORT	
31100451	31100451	1	SCREW 3,5X25	
31111229	31111229	1	SCREW TE M10X110 UNI 5737 8G	
31112165	31112165	1	SCREW TE C/F M8X35 DIN 6921 8G	
31112293	31112293	1	SCREW TE M12X80 UNI 5737	
31241080	31241080	1	HEXAGON SELFLOCK NUT M8	
31241100	31241100	1	SELFLOCK HEXAGON NUT M10	
31241126	31241126	1	SELFLOCK NUT M12	
52156917	52156917	1	WEDGE	
55157212	55157212	1	GRIP	
55157213	55157213	1	GRIP	
55243340	55243340	1	SUPPORT	
56156940	56156940	1	U BOLT	
56356924	56356924	1	FERRULE	
58056918	58056918	1	SPRING	
58056991	58056991	1	CABLE GLAND 90/200/30	
31421100Z	31421100Z	1	CUP SPRING 25X12,2X1,5 D2093	
58056942N	58056942N	1	SPRING	
59056822N	59056822N	1	COLUMN	
59057010N	59057010N	1	LEVER	
59057011N	59057011N	1	CONNECTION	
590C0125N	590C0125N	1	COLUMN	





	700 serie PS PowerSafe®	HANDLEBAR MANILLAR	MANUBRIO (740-746)	MANCHERON LINCHER	DALLA MACCHINA DE LA MAQUINA FROM THE MACHINE AB DER MASCHINE	N.	K03	Rev.	05/2009
								0	

DWT/BCS - Scala 1:5

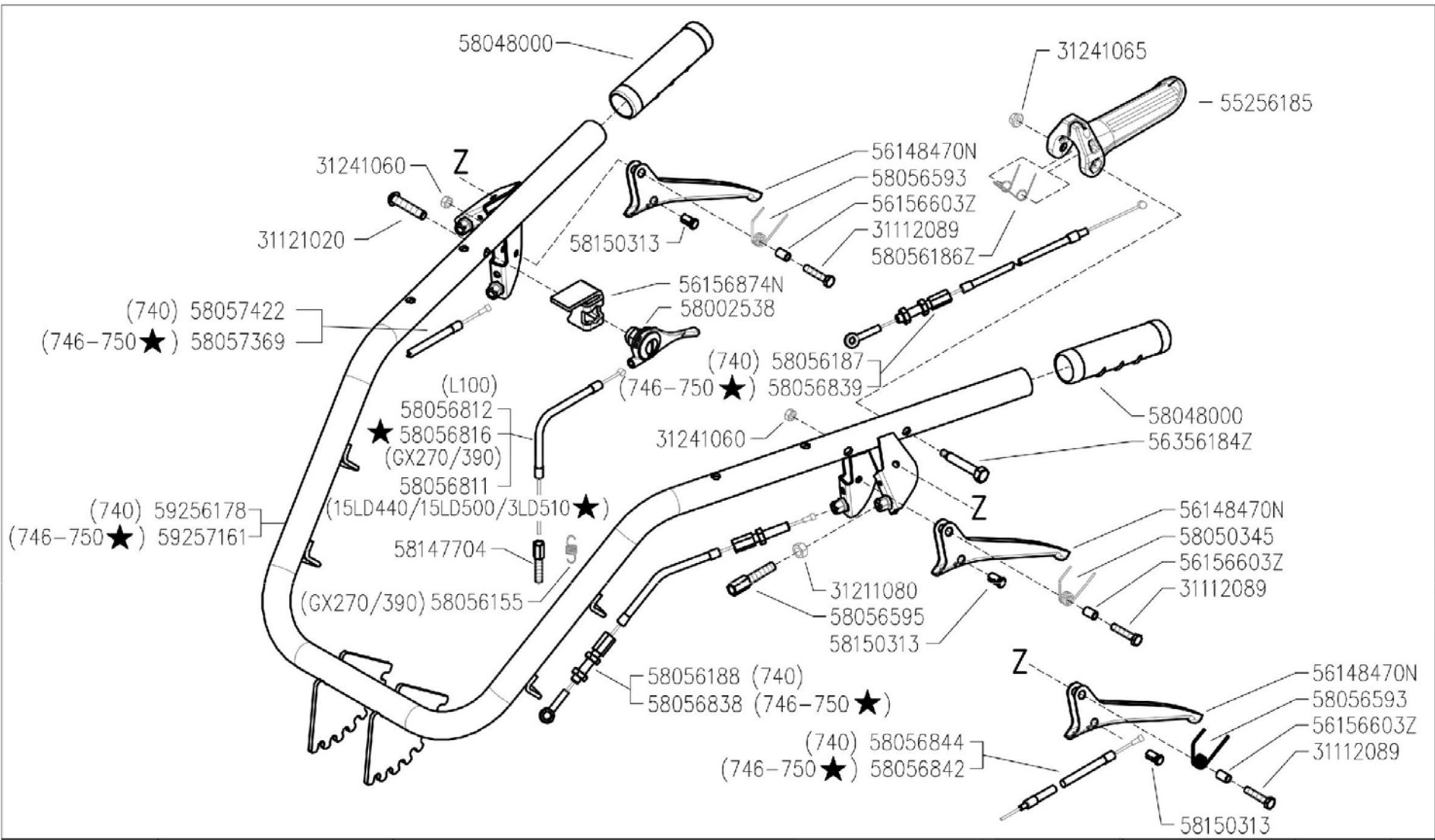


Pos.	Id	Q.ty	Description	Note
31112089	31112089	1	SCREW TE M6X25 UNI 5739 8G	
31121020	31121020	1	SCREW TBCEI M8X40 ISO7380 10K Z	
31211080	31211080	1	NUT M8	
31241060	31241060	1	HEXAGON SELFLOCK NUT M6	
31241065	31241065	1	SELFLOCK NUT M6	
55256185	55256185	1	LEVER	
58002538	58002538	1	ACCELERATOR	
58048000	58048000	1	KNOB D=27	
58050345	58050345	1	SPRING	
58056155	58056155	1	RESTORING SPRING	
58056187	58056187	1	LINE L=1725	
58056188	58056188	1	LINE L=1640	
58056593	58056593	1	SPRING	
58056595	58056595	1	ADJUSTING SCREW M8	
58056811	58056811	1	LINE AND SHEATH L=1850	
58056812	58056812	1	LINE AND SHEATH L=1680	
58056813	58056813	1	LINE AND SHEATH L=2035	
58056838	58056838	1	LINE L=1750	
58056839	58056839	1	LINE L=1810	
58056842	58056842	1	LINE AND SHEATH L=1530	
58056844	58056844	1	LINE AND SHEATH L=1350	
58057369	58057369	1	TRANSMISSION	
58057422	58057422	1	COLUMN UNLOCKING TRANSMISSION	
58147704	58147704	1	ADJUSTING SCREW	
58150313	58150313	1	CABLE CLAMP	
59256178	59256178	1	HANDLE BAR	
59257161	59257161	1	HANDLE BAR	
56148470N	56148470N	1	LEVER	
56156603Z	56156603Z	1	SPACER	



Pos.	Id	Q.ty	Description	Note
56156874N	56156874N	1	PANEL	
56356184Z	56356184Z	1	LEVER PIN	
58056186Z	58056186Z	1	SPRING	





	700 serie PS PowerSafe®	HANDLEBAR MANILLAR	MANUBRIO (740-746-750 ★)	MANCHERON LINCHER	DALLA MACCHINA DE LA MAQUINA FROM THE MACHINE AB DER MASCHINE ★ N.	AGGIORNAMENTO	Rev. K03 1
						APLAZAMIENTO	
						REVISION	
						ANPASSUNG	

DITE BCS - Scala 1:5

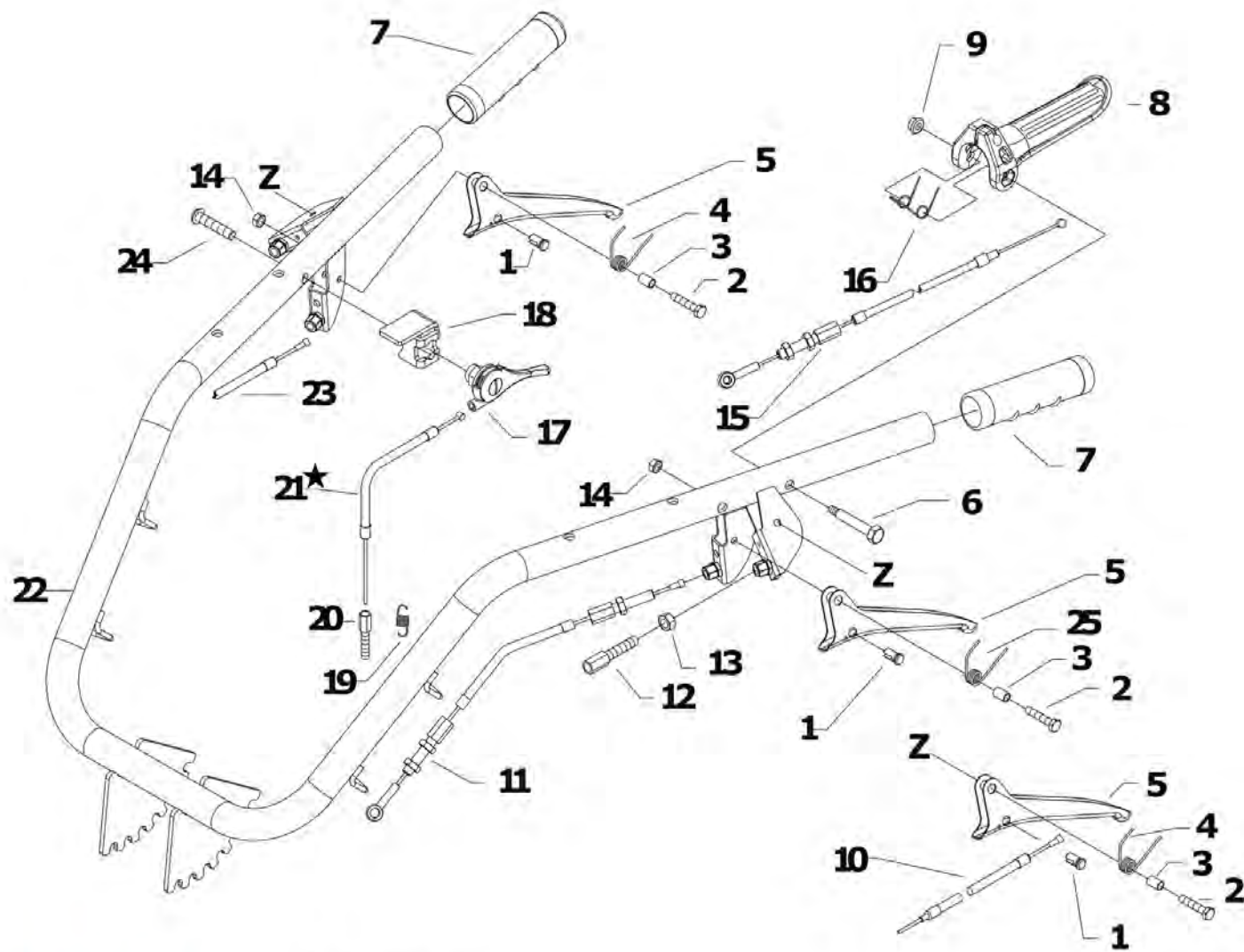


Pos.	Id	Q.ty	Description	Note
31112089	31112089	1	SCREW TE M6X25 UNI 5739 8G	
31121020	31121020	1	SCREW TBCEI M8X40 ISO7380 10K Z	
31211080	31211080	1	NUT M8	
31241060	31241060	1	HEXAGON SELFLOCK NUT M6	
31241065	31241065	1	SELFLOCK NUT M6	
55256185	55256185	1	LEVER	
58002538	58002538	1	ACCELERATOR	
58048000	58048000	1	KNOB D=27	
58050345	58050345	1	SPRING	
58056155	58056155	1	RESTORING SPRING	
58056187	58056187	1	LINE L=1725	
58056188	58056188	1	LINE L=1640	
58056593	58056593	1	SPRING	
58056595	58056595	1	ADJUSTING SCREW M8	
58056811	58056811	1	LINE AND SHEATH L=1850	
58056812	58056812	1	LINE AND SHEATH L=1680	
58056816	58056816	1	LINE AND SHEATH L=2135	
58056838	58056838	1	LINE L=1750	
58056839	58056839	1	LINE L=1810	
58056842	58056842	1	LINE AND SHEATH L=1530	
58056844	58056844	1	LINE AND SHEATH L=1350	
58057369	58057369	1	TRANSMISSION	
58057422	58057422	1	COLUMN UNLOCKING TRANSMISSION	
58147704	58147704	1	ADJUSTING SCREW	
58150313	58150313	1	CABLE CLAMP	
59256178	59256178	1	HANDLE BAR	
59257161	59257161	1	HANDLE BAR	
56148470N	56148470N	1	LEVER	
56156603Z	56156603Z	1	SPACER	



Pos.	Id	Q.ty	Description	Note
56156874N	56156874N	1	PANEL	
56356184Z	56356184Z	1	LEVER PIN	
58056186Z	58056186Z	1	SPRING	





 [Click for info](#)

★ = new part

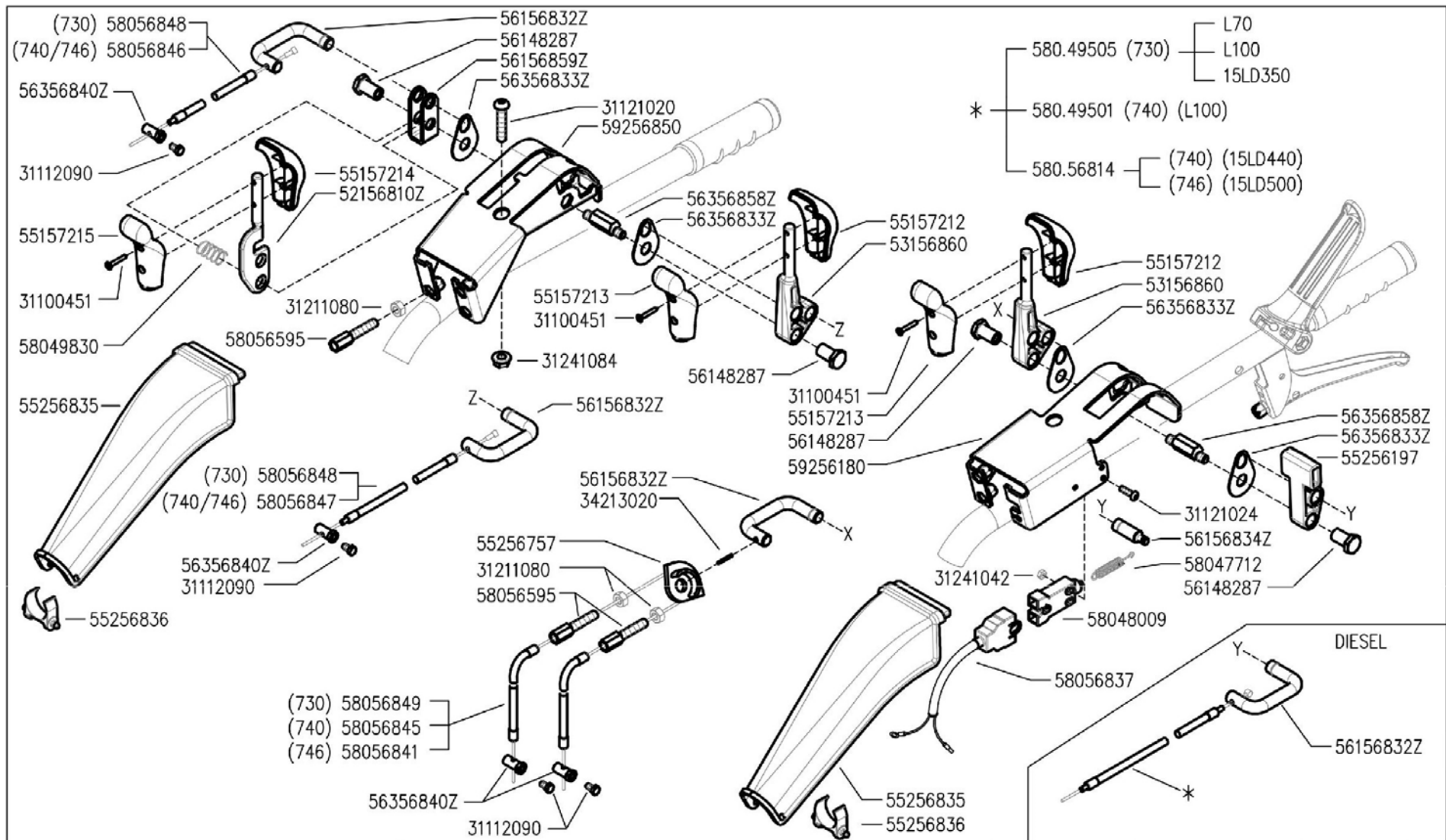


Pos.	Id	Q.ty	Description	Note
1	58150313		CABLE CLAMP	
2	31112089		SCREW TE M6X25 UNI 5739 8G	
3	56156603Z		SPACER	
4	58056593		SPRING	
5	56148470N		LEVER	
6	56356184Z		LEVER PIN	
7	58048000		KNOB D=27	
8	55256185		LEVER	
9	31241065		SELFLOCK NUT M6	
10	58056842		LINE AND SHEATH L=1530	750
10	58056844		LINE AND SHEATH L=1350	740
11	58056188		LINE L=1640	740
11	58056838		LINE L=1750	750
12	58056595		ADJUSTING SCREW M8	
13	31211080		NUT M8	
14	31241060		HEXAGON SELFLOCK NUT M6	
15	58056187		LINE L=1725	740
15	58056839		LINE L=1810	750
16	58056186Z		SPRING	
17	58002538		ACCELERATOR	
18	56156874N		PANEL	
19	58056155		RESTORING SPRING	GX270 - GX390
20	58147704		ADJUSTING SCREW	
21	58056811		LINE AND SHEATH L=1850	15KD440 - 15LD500 - 3LD510
21	58056812		LINE AND SHEATH L=1680	L100
21	58056816		LINE AND SHEATH L=2135	GX270 - GX390
21	58057355		LINE AND SHEATH (L=2280)	B&S 2100
22	59256178		HANDLE BAR	740
22	59257161		HANDLE BAR	750



Pos.	Id	Q.ty	Description	Note
23	58057369		TRANSMISSION	750
23	58057422		COLUMN UNLOCKING TRANSMISSION	740
24	31121020		SCREW TBCEI M8X40 ISO7380 10K Z	
25	58050345		SPRING	





	700 serie PS PowerSafe®	COMANDI SUL MANUBRIO (730-740-746)			DALLA MACCHINA DE LA MAQUINA FROM THE MACHINE AB DER MASCHINE	L03 0	Rev. 0
		HANDLEBAR CONTROLS CONTROLES EN EL MANILLAR	CONTROLES SUR LE MANCHERON KONTROLLEN AM LINCHER	N.			

DTE/BCS - Scala 1:5

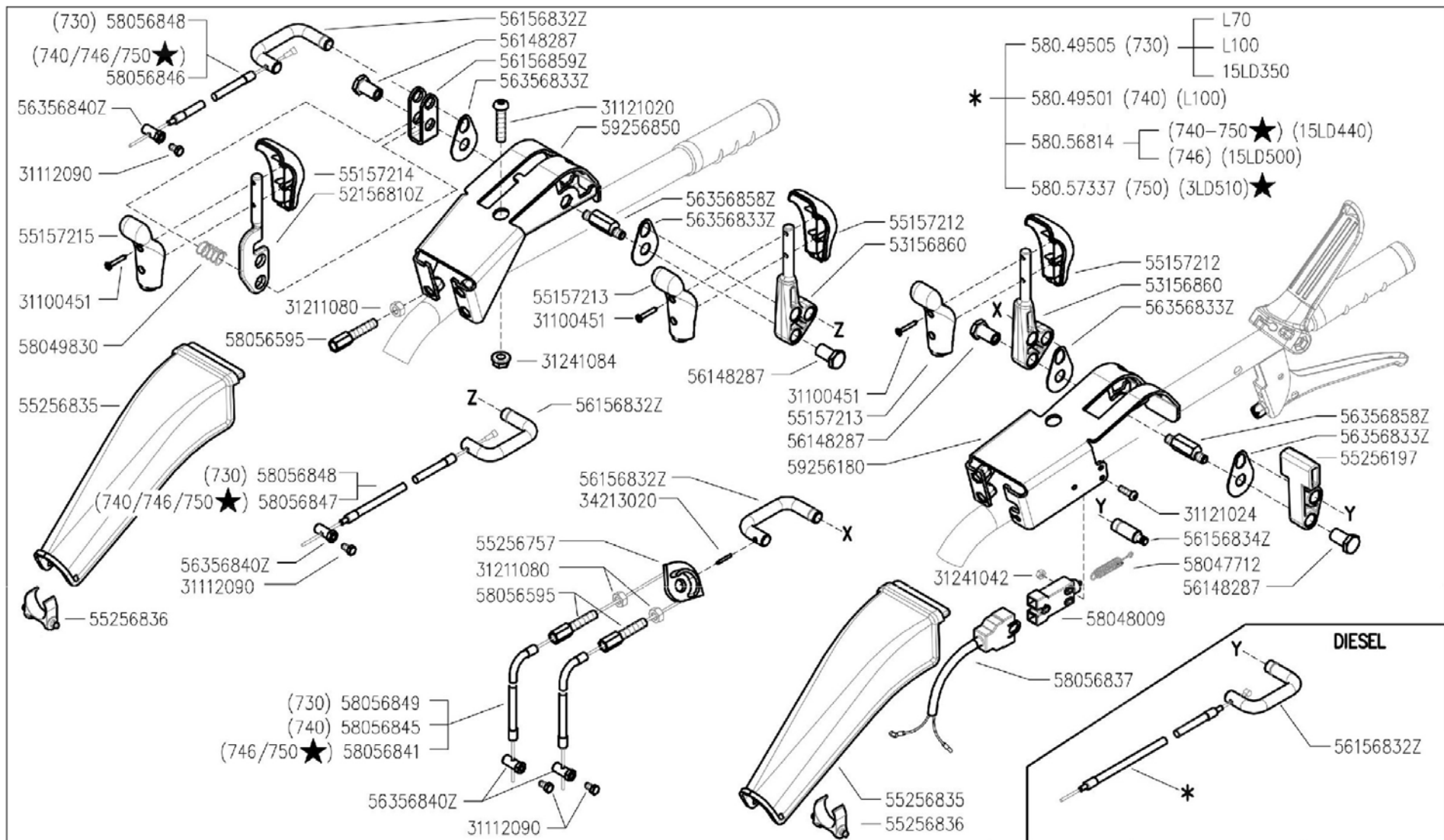


Pos.	Id	Q.ty	Description	Note
31100451	31100451	1	SCREW 3,5X25	
31112090	31112090	1	SCREW TE M6X16 UNI 5739 8G	
31121020	31121020	1	SCREW TBCEI M8X40 ISO7380 10K Z	
31121024	31121024	1	SCREW TBCEI FL.M4X25	
31211080	31211080	1	NUT M8	
31241042	31241042	1	SELFLOCK NUT M4 FL.6S	
31241084	31241084	1	SELFLOCK NUT M8 6S	
34213020	34213020	1	ROLL PIN	
53156860	53156860	1	COMMAND LEVER	
55157212	55157212	1	GRIP	
55157213	55157213	1	GRIP	
55157214	55157214	1	GRIP	
55157215	55157215	1	GRIP	
55256197	55256197	1	MOTOR STOP LEVER	
55256757	55256757	1	PULLEY	
55256835	55256835	1	PROTECTION COVER	
55256836	55256836	1	SUPPORT, ELECTRICAL BOX	
56148287	56148287	1	STUD BOLT	
58047712	58047712	1	SPRING	
58048009	58048009	1	ENGINE STOP SWITCH	
58049501	58049501	1	LINE AND SHEATH (L=1790)	
58049505	58049505	1	LINE AND SHEATH (L=1610)	
58049830	58049830	1	SPRING	
58056595	58056595	1	ADJUSTING SCREW M8	
58056814	58056814	1	LINE AND SHEATH L=1610	
58056837	58056837	1	WIRING	
58056841	58056841	1	LINE AND SHEATH L=1300	
58056845	58056845	1	LINE AND SHEATH L=1200	
58056846	58056846	1	LINE AND SHEATH L=1190	



Pos.	Id	Q.ty	Description	Note
58056847	58056847	1	LINE AND SHEATH L=1100	
58056848	58056848	1	LINE AND SHEATH L=930	
58056849	58056849	1	LINE AND SHEATH L=1080	
59256180	59256180	1	SUPPORT	
59256850	59256850	1	SUPPORT	
52156810Z	52156810Z	1	COMMAND LEVER	
56156832Z	56156832Z	1	U BOLT	
56156834Z	56156834Z	1	INDEXING BOLT	
56156859Z	56156859Z	1	FORK	
56356833Z	56356833Z	1	SMALL PLATE	
56356840Z	56356840Z	1	CLAMPING SCREW	
56356858Z	56356858Z	1	PIN	





	700 serie PS PowerSafe®	COMANDI SUL MANUBRIO (730-740-746-750★)			DALLA MACCHINA DE LA MAQUINA FROM THE MACHINE AB DER MASCHINE	AGGIORNAMENTO	Rev. L03 1	11/2010
		HANDLEBAR CONTROLS CONTROLES EN EL MANILLAR	CONTROLES SUR LE MANCHERON KONTROLLEN AM LINCHER	★ N.		APLAZAMIENTO MISE A JOUR REVISION ANPASSUNG		

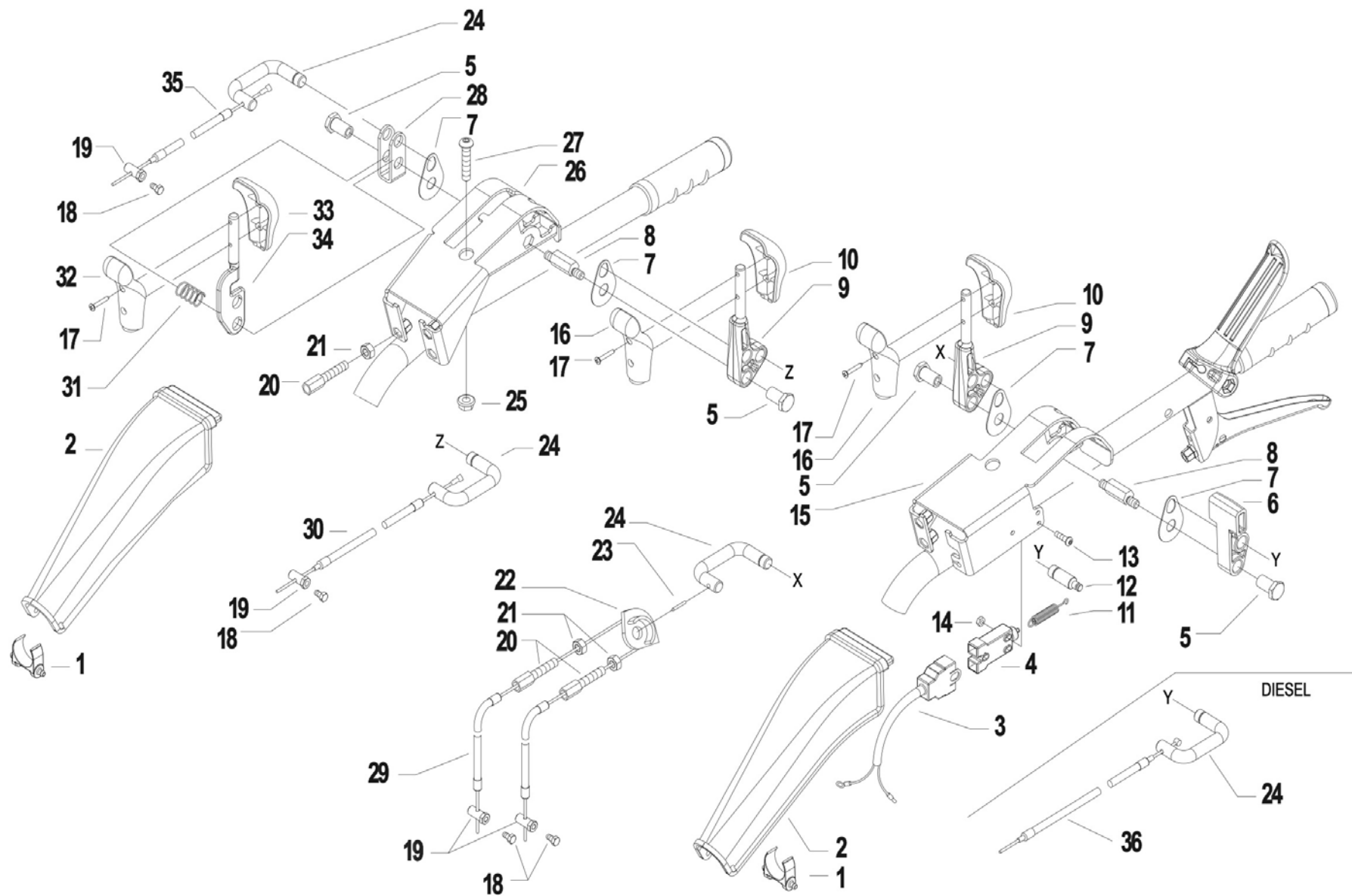


Pos.	Id	Q.ty	Description	Note
31100451	31100451	1	SCREW 3,5X25	
31112090	31112090	1	SCREW TE M6X16 UNI 5739 8G	
31121020	31121020	1	SCREW TBCEI M8X40 ISO7380 10K Z	
31121024	31121024	1	SCREW TBCEI FL.M4X25	
31211080	31211080	1	NUT M8	
31241042	31241042	1	SELFLOCK NUT M4 FL.6S	
31241084	31241084	1	SELFLOCK NUT M8 6S	
34213020	34213020	1	ROLL PIN	
53156860	53156860	1	COMMAND LEVER	
55157212	55157212	1	GRIP	
55157213	55157213	1	GRIP	
55157214	55157214	1	GRIP	
55157215	55157215	1	GRIP	
55256197	55256197	1	MOTOR STOP LEVER	
55256757	55256757	1	PULLEY	
55256835	55256835	1	PROTECTION COVER	
55256836	55256836	1	SUPPORT, ELECTRICAL BOX	
56148287	56148287	1	STUD BOLT	
58047712	58047712	1	SPRING	
58048009	58048009	1	ENGINE STOP SWITCH	
58049501	58049501	1	LINE AND SHEATH (L=1790)	
58049505	58049505	1	LINE AND SHEATH (L=1610)	
58049830	58049830	1	SPRING	
58056595	58056595	1	ADJUSTING SCREW M8	
58056814	58056814	1	LINE AND SHEATH L=1610	
58056837	58056837	1	WIRING	
58056841	58056841	1	LINE AND SHEATH L=1300	
58056845	58056845	1	LINE AND SHEATH L=1200	
58056846	58056846	1	LINE AND SHEATH L=1190	



Pos.	Id	Q.ty	Description	Note
58056847	58056847	1	LINE AND SHEATH L=1100	
58056848	58056848	1	LINE AND SHEATH L=930	
58056849	58056849	1	LINE AND SHEATH L=1080	
58057337	58057337	1	LINE AND SHEATH (L=1680)	
59256180	59256180	1	SUPPORT	
59256850	59256850	1	SUPPORT	
52156810Z	52156810Z	1	COMMAND LEVER	
56156832Z	56156832Z	1	U BOLT	
56156834Z	56156834Z	1	INDEXING BOLT	
56156859Z	56156859Z	1	FORK	
56356833Z	56356833Z	1	SMALL PLATE	
56356840Z	56356840Z	1	CLAMPING SCREW	
56356858Z	56356858Z	1	PIN	





DIESEL

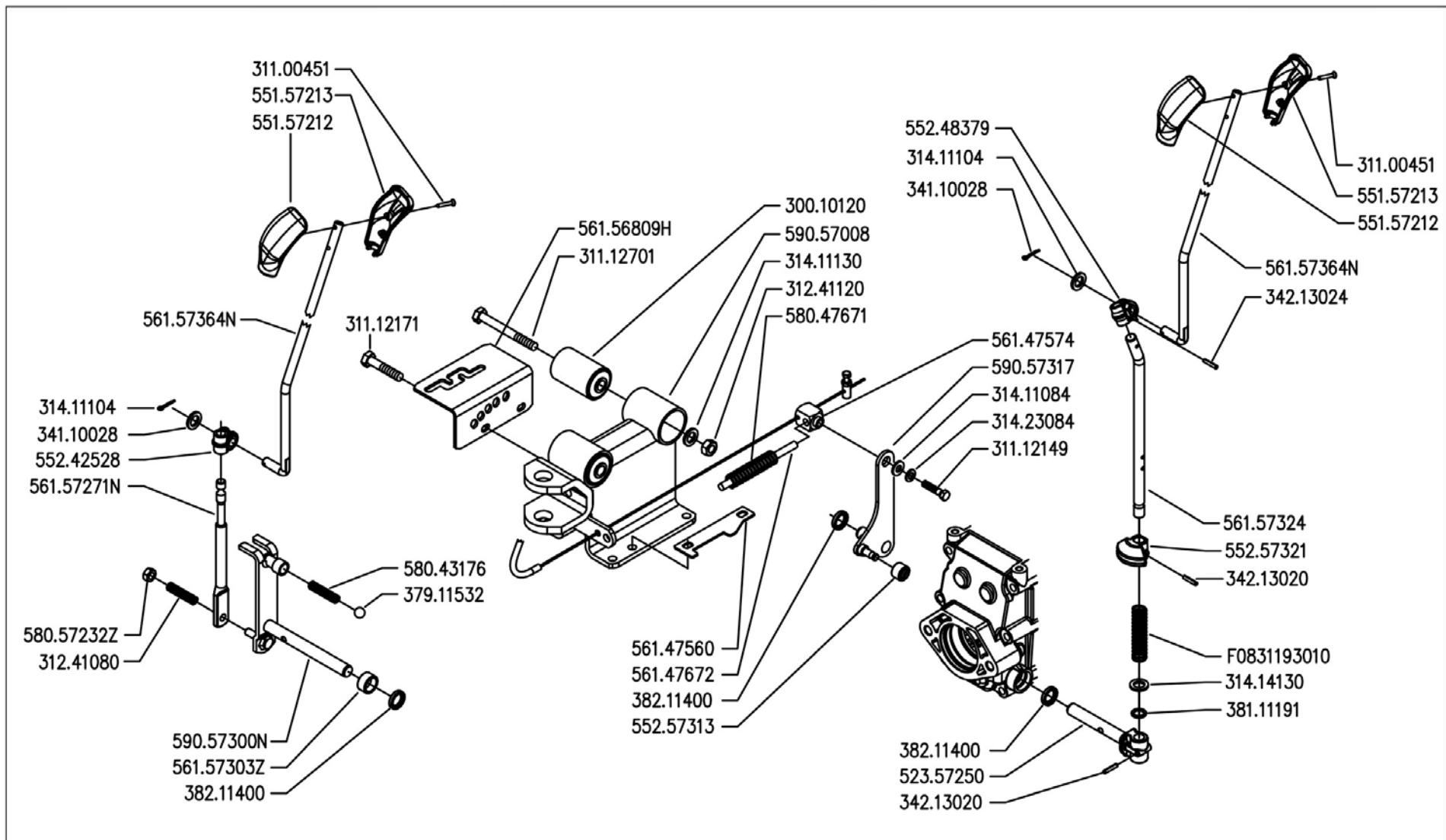


Pos.	Id	Q.ty	Description	Note
1	55256836	1	SUPPORT, ELECTRICAL BOX	
2	55256835	1	PROTECTION COVER	
3	58056837	1	WIRING	
4	58048009	1	ENGINE STOP SWITCH	
5	56148287	1	STUD BOLT	
6	55256197	1	MOTOR STOP LEVER	
7	56356833Z	1	SMALL PLATE	
8	56356858Z	1	PIN	
9	53156860	1	COMMAND LEVER	
10	55157212	1	GRIP	
11	58047712	1	SPRING	
12	56156834Z	1	INDEXING BOLT	
13	31121024	1	SCREW TBCEI FL.M4X25	
14	31241042	1	SELFLOCK NUT M4 FL.6S	
15	59256180	1	SUPPORT	
16	55157213	1	GRIP	
17	31100451	1	SCREW 3,5X25	
18	31112090	1	SCREW TE M6X16 UNI 5739 8G	
19	56356840Z	1	CLAMPING SCREW	
20	58056595	1	ADJUSTING SCREW M8	
21	31211080	1	NUT M8	
22	55256757	1	PULLEY	
23	34213020	1	ROLL PIN	
24	56156832Z	1	U BOLT	
25	31241084	1	SELFLOCK NUT M8 6S	
26	59256850	1	SUPPORT	
27	31121020	1	SCREW TBCEI M8X40 ISO7380 10K Z	
28	56156859Z	1	FORK	
29	58056841	1	LINE AND SHEATH L=1300	For models 746/750 PS Series



Pos.	Id	Q.ty	Description	Note
29	58056845	1	LINE AND SHEATH L=1200	For the 740 model series PS
29	58056849	1	LINE AND SHEATH L=1080	For models 730/738 PS Series
30	58056847	1	LINE AND SHEATH L=1100	For models 740/746/750 PS Series
30	58056848	1	LINE AND SHEATH L=930	For models 730/738 PS Series
31	58049830	1	SPRING	
32	55157215	1	GRIP	
33	55157214	1	GRIP	
34	52156810Z	1	COMMAND LEVER	
35	58056846	1	LINE AND SHEATH L=1190	For models 740/746/750 PS Series
35	58056848	1	LINE AND SHEATH L=930	For models 730/738 PS Series
36	58049501	1	LINE AND SHEATH (L=1790)	For model series 740 PS engine with L100
36	58049505	1	LINE AND SHEATH (L=1610)	For models 730/738 series engines with PS L70/L100/15LD500
36	58056814	1	LINE AND SHEATH L=1610	For models 740/750 series PS engine 15LD440. For model series 746 PS with engine15LD500
36	58057337	1	LINE AND SHEATH (L=1680)	For Model 750 series PS engine 3LD510





700 serie PS
PowerSafe®

CONTROLS
MANDOS

COMANDI
(740-746-750★)

COMMANDES
ANTRIEBE

DALLA MACCHINA
DE LA MAQUINA
FROM THE MACHINE
AB DER MASCHINE

★ N.

AGGIORNAMENTO
APLAZAMIENTO
MISE A JOUR
REVISION
ANPASSUNG

Rev.
M03 1

11/2010

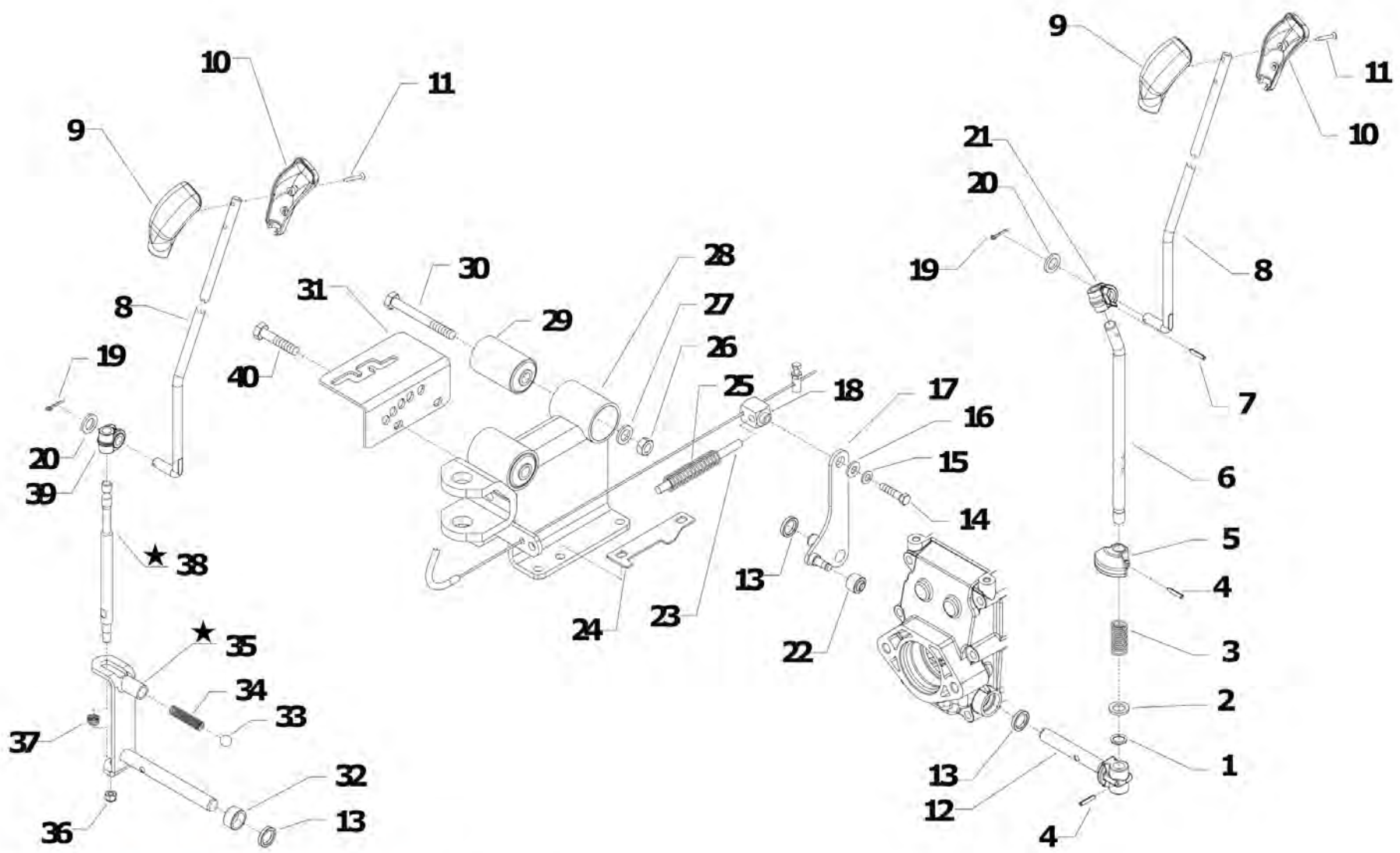



Pos.	Id	Q.ty	Description	Note
30010120	30010120	1	SILENT-BLOCK 12X40X58X66	
31100451	31100451	1	SCREW 3,5X25	
31112149	31112149	1	SCREW TE M8X12 UNI 5739 8G	
31112171	31112171	1	SCREW TE C/F M8X16 DIN 6921	
31112701	31112701	1	SCREW TE M12X100 UNI 5737	
31241080	31241080	1	HEXAGON SELFLOCK NUT M8	
31241120	31241120	1	SELFLOCK NUT M12	
31411084	31411084	1	WASHER 8,4x17	
31411104	31411104	1	WASHER 10,5x18	
31411130	31411130	1	WASHER 13x24	
31414130	31414130	1	WASHER 13	
31423084	31423084	1	SPRING WASHER 8,4	
34110028	34110028	1	SPLIT PIN A3X15 UNI 1336	
34213020	34213020	1	ROLL PIN	
34213024	34213024	1	ROLL PIN	
37911532	37911532	1	BALL 15/32	
38111191	38111191	1	O-RING 115 (11,91X2,62)	
38211400	38211400	1	OIL SEAL 14X22X4	
52357250	52357250	1	PIN	
55157212	55157212	1	GRIP	
55157213	55157213	1	GRIP	
55242528	55242528	1	JOINT	
55248379	55248379	1	PTO JOINT	
55257313	55257313	1	ROLLER	
55257321	55257321	1	STOP	
56147560	56147560	1	STOP	
56147574	56147574	1	INVERTER BLOCK	
56147672	56147672	1	GUIDE PIN	
56157324	56157324	1	PTO LEVER	



Pos.	Id	Q.ty	Description	Note
58043176	58043176	1	SPRING	
58047671	58047671	1	SPRING	
59057008	59057008	1	SUPPORT	
59057317	59057317	1	LEVER	
56156809H	56156809H	1	GEAR SELECTOR	
56157271N	56157271N	1	COMMAND LEVER	
56157303Z	56157303Z	1	SPACER	
56157364N	56157364N	1	PULL ROD	
58057232Z	58057232Z	1	SPRING	
59057300N	59057300N	1	GEAR LEVER	
F0831193010	F0831193010	1	SPRING DM.15X70	






i = info - stop 2 sec. ★ = new part

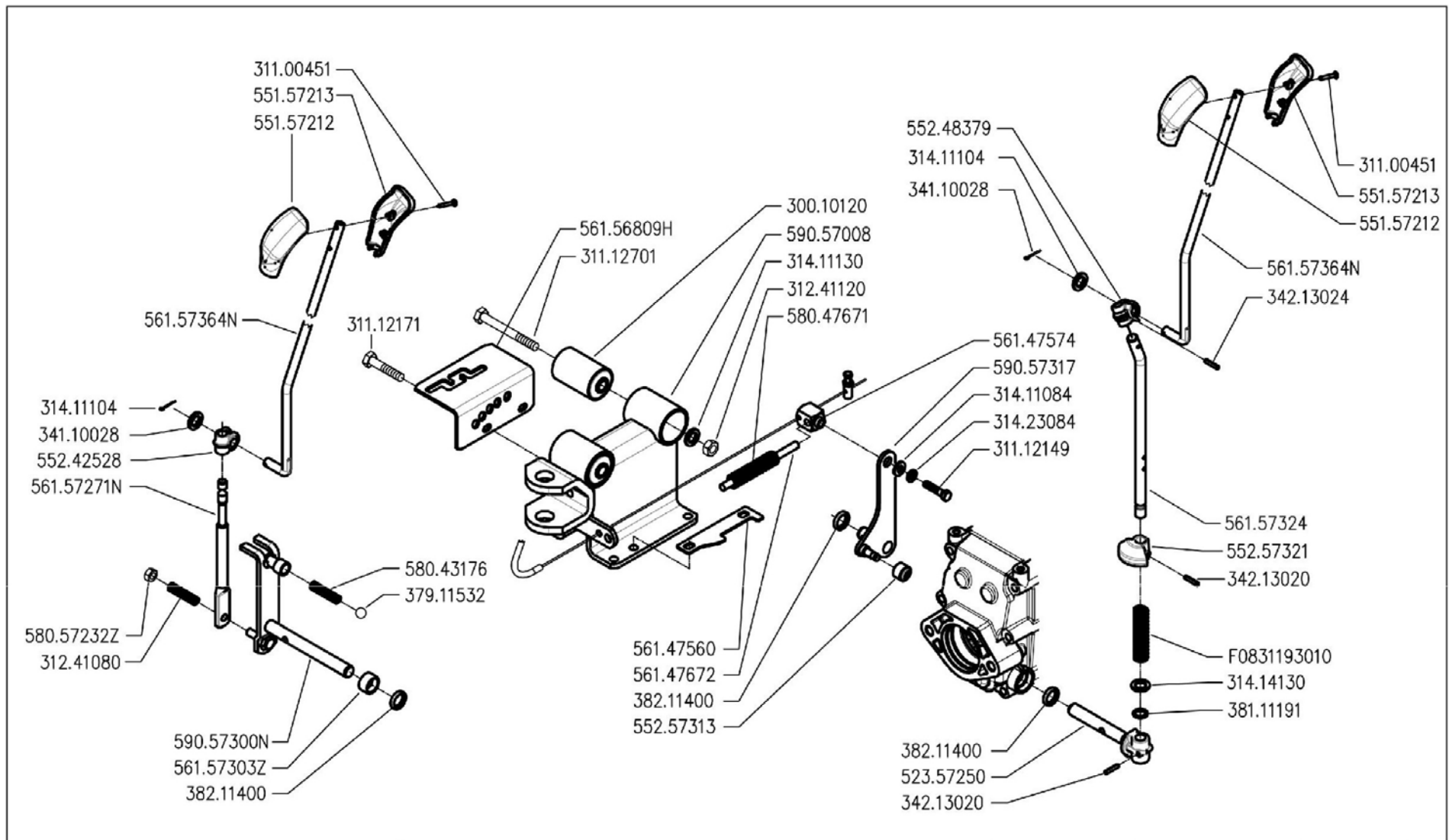



Pos.	Id	Q.ty	Description	Note
1	38111191		O-RING 115 (11,91X2,62)	
2	31414130		WASHER 13	
3	F0831193010		SPRING DM.15X70	
4	34213020		ROLL PIN	
5	55257321		STOP	
6	56157324		PTO LEVER	
7	34213024		ROLL PIN	
8	56157364N		PULL ROD	
9	55157212		GRIP	
10	55157213		GRIP	
11	31100451		SCREW 3,5X25	
12	52357250		PIN	
13	38211400		OIL SEAL 14X22X4	
14	31112149		SCREW TE M8X12 UNI 5739 8G	
15	31423084		SPRING WASHER 8,4	
16	31411084		WASHER 8,4x17	
17	59057317		LEVER	
18	56147574		INVERTER BLOCK	
19	34110028		SPLIT PIN A3X15 UNI 1336	
20	31411104		WASHER 10,5x18	
21	55248379		PTO JOINT	
22	55257313		ROLLER	
23	56147672		GUIDE PIN	
24	56147560		STOP	
25	58047671		SPRING	
26	31241120		SELFLOCK NUT M12	
27	31411130		WASHER 13x24	
28	59057008		SUPPORT	
29	30010120		SILENT-BLOCK 12X40X58X66	



Pos.	Id	Q.ty	Description	Note
30	31112701		SCREW TE M12X100 UNI 5737	
31	56156809H		GEAR SELECTOR	
32	56157303Z		SPACER	
33	37911532		BALL 15/32	
34	58043176		SPRING	
35	59056740Z		3+3 GEARBOX COMPLETE LEVER	
36	31241080		HEXAGON SELFLOCK NUT M8	
37	58057232Z		SPRING	
38	56356738Z		COMMAND LEVER	
39	55242528		JOINT	





	700 serie PS PowerSafe®	CONTROLS MANDOS	COMANDI (740-746)	COMMANDES ANTRIEBE	DALLA MACCHINA DE LA MAQUINA FROM THE MACHINE AB DER MASCHINE	<input type="checkbox"/>	M03	Rev. 0
						N.		05/2009

DME/BCS - Scala 1:6

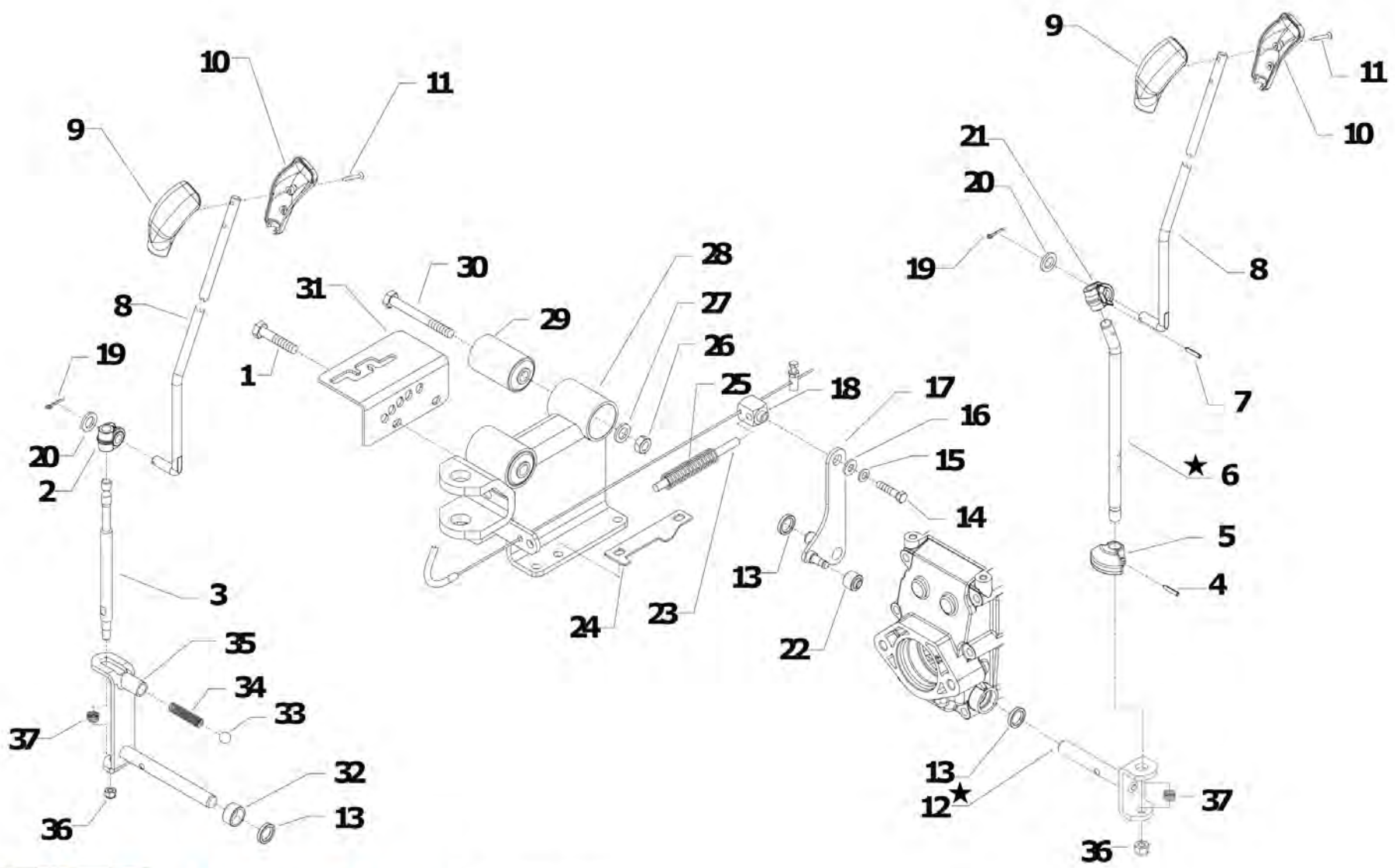


Pos.	Id	Q.ty	Description	Note
30010120	30010120	1	SILENT-BLOCK 12X40X58X66	
31100451	31100451	1	SCREW 3,5X25	
31112149	31112149	1	SCREW TE M8X12 UNI 5739 8G	
31112171	31112171	1	SCREW TE C/F M8X16 DIN 6921	
31112701	31112701	1	SCREW TE M12X100 UNI 5737	
31241080	31241080	1	HEXAGON SELFLOCK NUT M8	
31241120	31241120	1	SELFLOCK NUT M12	
31411084	31411084	1	WASHER 8,4x17	
31411104	31411104	1	WASHER 10,5x18	
31411130	31411130	1	WASHER 13x24	
31414130	31414130	1	WASHER 13	
31423084	31423084	1	SPRING WASHER 8,4	
34110028	34110028	1	SPLIT PIN A3X15 UNI 1336	
34213020	34213020	1	ROLL PIN	
34213024	34213024	1	ROLL PIN	
37911532	37911532	1	BALL 15/32	
38111191	38111191	1	O-RING 115 (11,91X2,62)	
38211400	38211400	1	OIL SEAL 14X22X4	
52357250	52357250	1	PIN	
55157212	55157212	1	GRIP	
55157213	55157213	1	GRIP	
55242528	55242528	1	JOINT	
55248379	55248379	1	PTO JOINT	
55257313	55257313	1	ROLLER	
55257321	55257321	1	STOP	
56147560	56147560	1	STOP	
56147574	56147574	1	INVERTER BLOCK	
56147672	56147672	1	GUIDE PIN	
56157324	56157324	1	PTO LEVER	



Pos.	Id	Q.ty	Description	Note
58043176	58043176	1	SPRING	
58047671	58047671	1	SPRING	
59057008	59057008	1	SUPPORT	
59057317	59057317	1	LEVER	
56156809H	56156809H	1	GEAR SELECTOR	
56157271N	56157271N	1	COMMAND LEVER	
56157303Z	56157303Z	1	SPACER	
56157364N	56157364N	1	PULL ROD	
58057232Z	58057232Z	1	SPRING	
59057300N	59057300N	1	GEAR LEVER	
F0831193010	F0831193010	1	SPRING DM.15X70	





i = info - stop 2 sec. ★ = new part

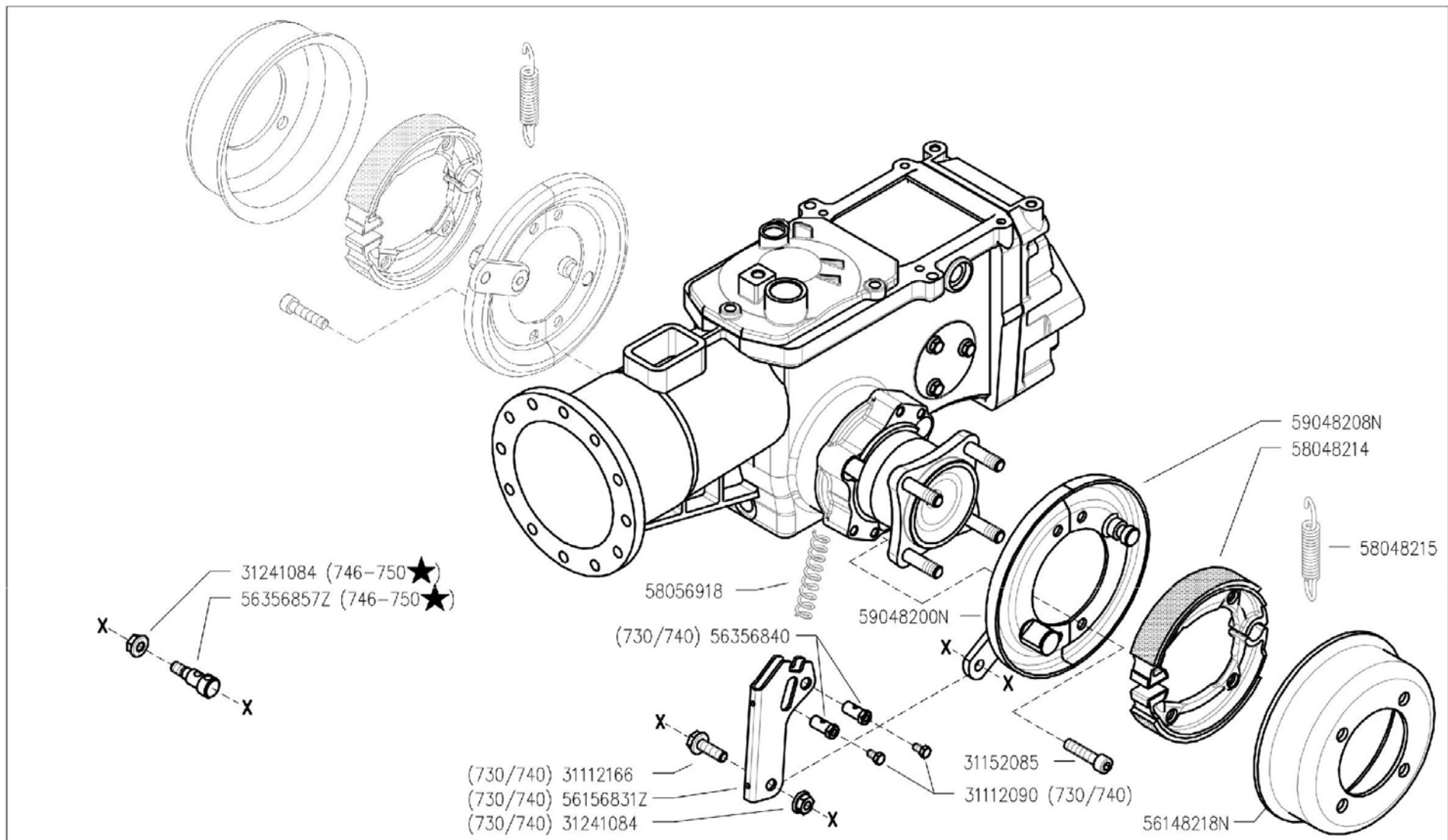


Pos.	Id	Q.ty	Description	Note
1	31112171		SCREW TE C/F M8X16 DIN 6921	
2	55242528		JOINT	
3	56356738Z		COMMAND LEVER	
4	34213020		ROLL PIN	
5	55257321		STOP	
6	561C1043Z		LEVA PDF LUNGA ZNT	REPLACES 52357250 + 56157324N
7	34213024		ROLL PIN	
8	56157364N		PULL ROD	
9	55157212		GRIP	
10	55157213		GRIP	
11	31100451		SCREW 3,5X25	
12	590C1040Z		COMPLETE PTO LEVER GALV.	REPLACES 52357250 + 56157324N
13	38211400		OIL SEAL 14X22X4	
14	31112149		SCREW TE M8X12 UNI 5739 8G	
15	31423084		SPRING WASHER 8,4	
16	31411084		WASHER 8,4x17	
17	59057317		LEVER	
18	56147574		INVERTER BLOCK	
19	34110028		SPLIT PIN A3X15 UNI 1336	
20	31411104		WASHER 10,5x18	
21	55248379		PTO JOINT	
22	55257313		ROLLER	
23	56147672		GUIDE PIN	
24	56147560		STOP	
25	58047671		SPRING	
26	31241120		SELFLOCK NUT M12	
27	31411130		WASHER 13x24	
28	59057008		SUPPORT	
29	30010120		SILENT-BLOCK 12X40X58X66	



Pos.	Id	Q.ty	Description	Note
30	31112701		SCREW TE M12X100 UNI 5737	
31	56156809H		GEAR SELECTOR	
32	56157303Z		SPACER	
33	37911532		BALL 15/32	
34	58043176		SPRING	
35	59056740Z		3+3 GEARBOX COMPLETE LEVER	
36	31241080		HEXAGON SELFLOCK NUT M8	
37	58057232Z		SPRING	





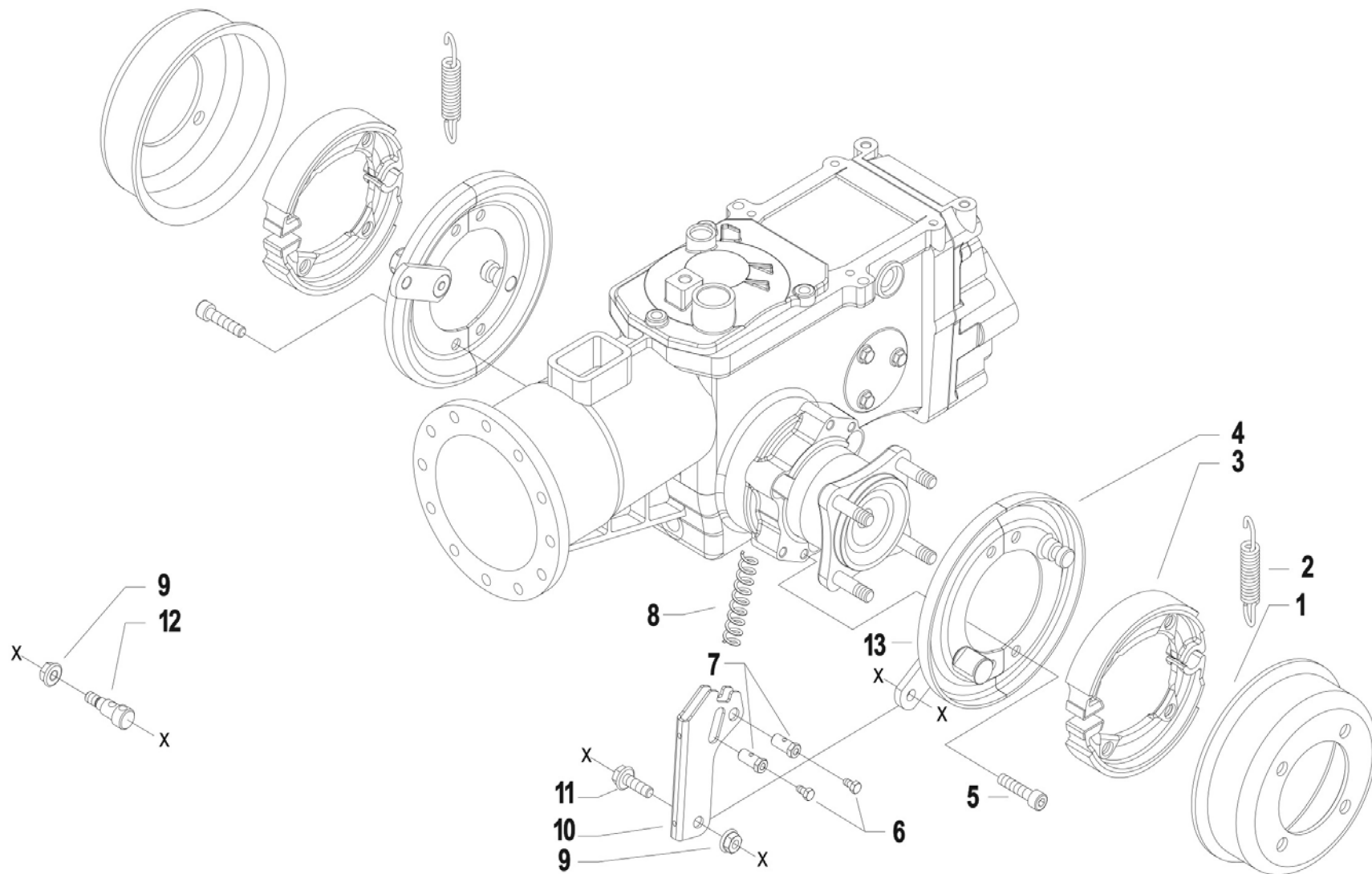
	700 serie PS PowerSafe®	BRAKES FRENOS	FRENI (730-740-746-750 ★)	DALLA MACCHINA DE LA MAQUINA FROM THE MACHINE AB DER MASCHINE ★ N.	AGGIORNAMENTO	Rev. N02 1
					APLAZAMIENTO	
					MISE A JOUR	
					REVISION	
					ANPASSUNG	

DITE BCS - Scala 1:4



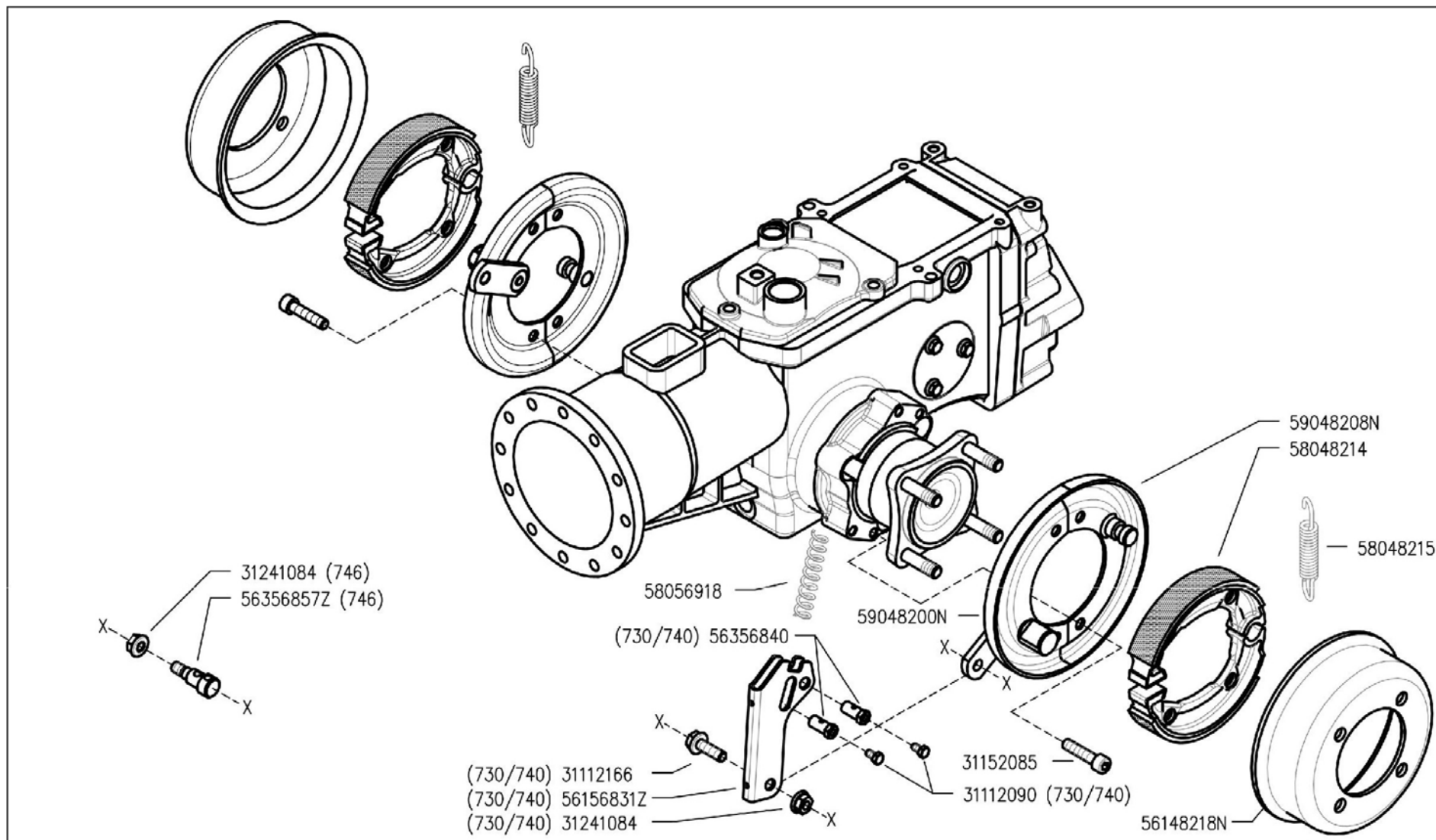
Pos.	Id	Q.ty	Description	Note
31112090	31112090	1	SCREW TE M6X16 UNI 5739 8G	
31112166	31112166	1	SCREW TE C/F M8X25 DIN 6921 8G	
31152085	31152085	1	SCREW TCEI M8X25 UNI 5931	
31241084	31241084	1	SELFLOCK NUT M8 6S	
56356840	56356840	1	CLAMPING SCREW	
58048214	58048214	1	BRAKE BLOCK	
58048215	58048215	1	SPRING	
58056918	58056918	1	SPRING	
56148218N	56148218N	1	BRAKE DRUM	
56156831Z	56156831Z	1	FORK	
56356857Z	56356857Z	1	STOP	
59048200N	59048200N	1	HALF DISC	
59048208N	59048208N	1	HALF DISC	





Pos.	Id	Q.ty	Description	Note
1	56148218N	1	BRAKE DRUM	
2	58048215	1	SPRING	
3	58048214	1	BRAKE BLOCK	
4	59048208N	1	HALF DISC	
5	31152085	1	SCREW TCEI M8X25 UNI 5931	
6	31112090	1	SCREW TE M6X16 UNI 5739 8G	Used in the models 730/730 EasyDrive/738/740 PS Series
7	56356840	1	CLAMPING SCREW	Used in the models 730/730 EasyDrive/738/740 PS Series
8	58056918	1	SPRING	
9	31241084	1	SELFLOCK NUT M8 6S	Used in the models 730/730 EasyDrive/740/746/750 PS Series
10	56156831Z	1	FORK	Used in the models 730/730 EasyDrive/738/740 PS Series
11	31112166	1	SCREW TE C/F M8X25 DIN 6921 8G	Used in the models 730/730 EasyDrive/738/740 PS Series
12	56356857Z	1	STOP	Used in the models 746/750 PS Series
13	59048200N	1	HALF DISC	





	700 serie PS PowerSafe®	BRAKES FRENOS	FRENI (730-740-746)	FREINS BREMSEN	DALLA MACCHINA DE LA MAQUINA FROM THE MACHINE AB DER MASCHINE N.	59048208N 58048214	58048215	Rev. 0
						(730/740) 31112166 (730/740) 56156831Z (730/740) 31241084	31152085 31112090 (730/740)	56148218N

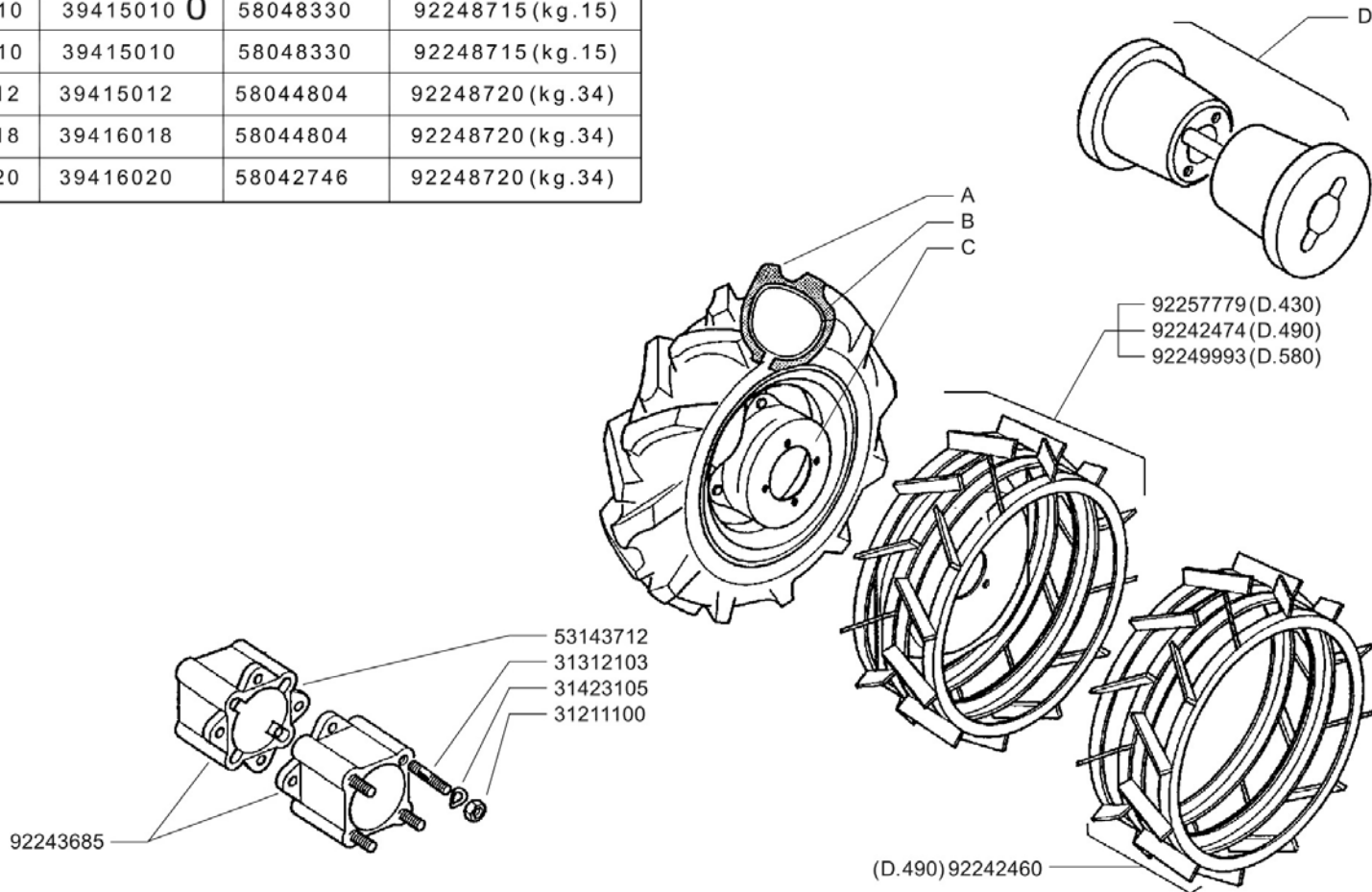
DITE.BCS - Scala 1:4



Pos.	Id	Q.ty	Description	Note
31112090	31112090	1	SCREW TE M6X16 UNI 5739 8G	
31112166	31112166	1	SCREW TE C/F M8X25 DIN 6921 8G	
31152085	31152085	1	SCREW TCEI M8X25 UNI 5931	
31241084	31241084	1	SELFLOCK NUT M8 6S	
56356840	56356840	1	CLAMPING SCREW	
58048214	58048214	1	BRAKE BLOCK	
58048215	58048215	1	SPRING	
58056918	58056918	1	SPRING	
56148218N	56148218N	1	BRAKE DRUM	
56156831Z	56156831Z	1	FORK	
56356857Z	56356857Z	1	STOP	
59048200N	59048200N	1	HALF DISC	
59048208N	59048208N	1	HALF DISC	



	A	B	C	D
4.00 - 8"	39114008	39414008	58043250	92243686 (kg.10)
4.0 - 10"	39114010	39415010 O	58048330	92248715 (kg.15)
5.0 - 10"	39115010	39415010	58048330	92248715 (kg.15)
5.00 - 12"	39115012	39415012	58044804	92248720 (kg.34)
6.5/80 - 12"	39116018	39416018	58044804	92248720 (kg.34)
6.5/80 - 15"	39116020	39416020	58042746	92248720 (kg.34)



700 serie **PS**
PowerSafe®

WHEELS
RUEDAS

RUOTE

ROUES
RÄDER

DALLA MACCHINA
FROM THE MACHINE
DE LA MACHINE
DE LA MAQUINA
AB DER MASCHINE

ON.

AGGIORNAMENTO
REVISION
MISE A JOUR
APLAZAMIENTO
ANPASSUNG

P01 1

11/2010

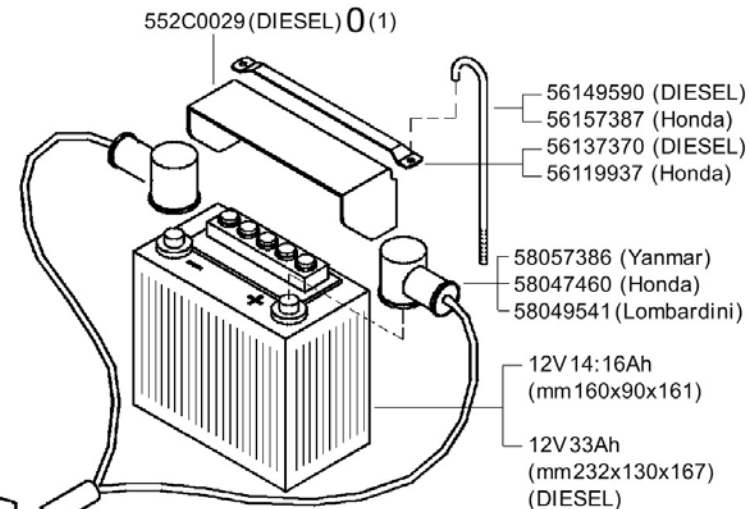
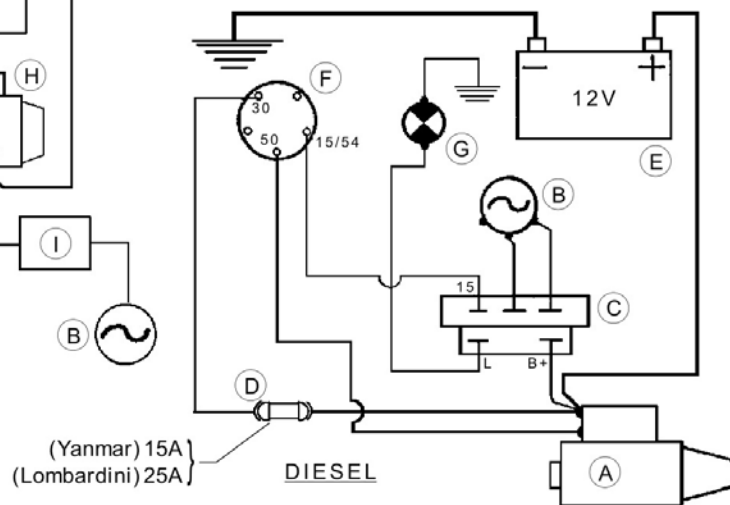
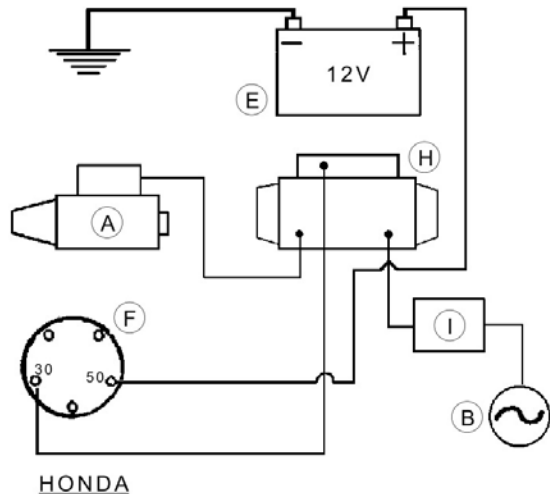
Rev.

ZENE



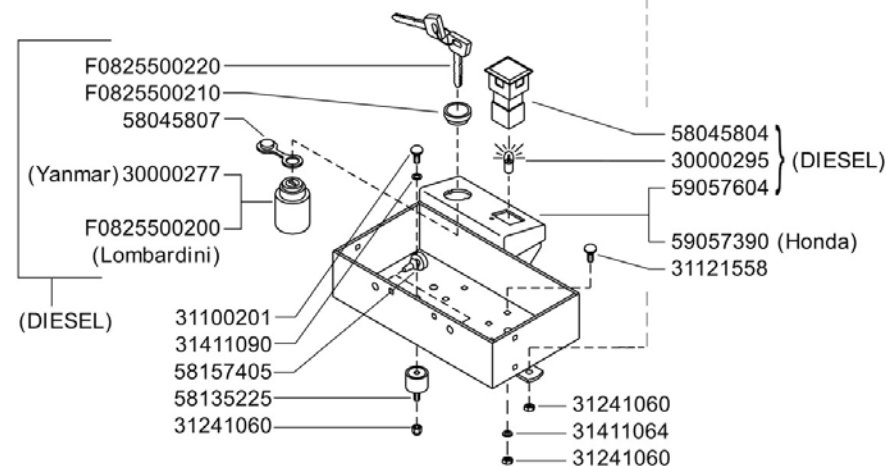
Pos.	Id	Q.ty	Description	Note
31211100	31211100	1	NUT M10	
31312103	31312103	1	STUD BOLT M10X46X24X16	
31423105	31423105	1	SPRING WASHER 10,5	
39114008	39114008	1	TYRE 4.00-8 2PR	
39114010	39114010	1	TYRE 4.0-10 2PR	
39115010	39115010	1	TYRE 5.00-10 2PR	
39115012	39115012	1	TYRE 5.00-12 2PR	
39116018	39116018	1	TYRE 6.5/80-12 2PR	
39116020	39116020	1	TYRE 6.5/80-15 4PR	
39414008	39414008	1	INNER TUBE X 4.00-8	
39415010	39415010	1	INNER TUBE X 4.0/5.0-10	
39415012	39415012	1	INNER TUBE	
39416018	39416018	1	INNER TUBE X 6-5/80-12	
39416020	39416020	1	INNER TUBE X 6.5/80-15	
53143712	53143712	1	SPACER	
58042746	58042746	1	RIM 5J15 CR	
58043250	58043250	1	RIM 2.50-8	
58044804	58044804	1	RIM 5JA12	
58048330	58048330	1	RIM 3.50D10 CR	
92242460	92242460	1	TWINNING RINGS CM 49 (PAIR)	
92242474	92242474	1	STEEL CAGE WHEELS 49 CM (PAIR) FOR XB 40	
92243685	92243685	1	WHEEL SPACERS CM 6 (PAIR)	
92243686	92243686	1	PAIR OF WEIGHTS FOR 8 WHEELS 11 KGS	
92248715	92248715	1	WEIGHTS FOR WHEELS 10 EACH KG 15 (PAIR)	
92248720	92248720	1	WEIGHTS FOR WHEELS 12 KG 34 EACH (PAIR)	
92249993	92249993		STEEL CAGE WHEELS D. 58 (PAIR)	
92257779	92257779	1	STEEL CAGE WHEELS DIAM CM 43 (PAIR) X SB20-SB30	





A	B	C	D
MOTORINOD'AVVIAMENTO STARTER DÉMARREUR MOT. DEARRANQUE ANLASSMOTOR	GENERATORE GENERATOR GÉNÉRATEUR GENERADOR GENERATOR	REGOLATORE REGULATOR RÉGULATEUR REGULADOR REGLER	FUSIBILI FUSES FUSIBLES FUSIBLES SCHMELZSICHERUNGEN

E	F	G	H	I
BATTERIA BATTERY BATTERIE BATERIA BATTERIE	INTERRUTTORE SWITCH INTERRUPTEUR INTERRUPTOR SCHALTER	SPIACARICABATTERIA BATTERYLONGWARN. LIGHT TEMOINCHARG. BATTERIE LUZCARGABATERIA BATTERIELADUNGKTRL. LAMPE	SOLENOIDE SOLENOID SOLÉNOÏDE SOLENOIDE SOLENOID	DIODO DIODE DIODE DIODO DIODE



(1) sostituisce 58057610



700 serie PS
PowerSafe®

AVVIAMENTO ELETTRICO

ELECTRIC STARTER
ARRANQUE ELECTRICO

DÉMARRAGE ELECTRIQUE
ELEKTROSTART

DALLA MACCHINA
FROM THE MACHINE
DE LA MACHINE
DE LA MAQUINA
AB DER MASCHINE

ON.

884219

Q01 1

05/2011

Rev.

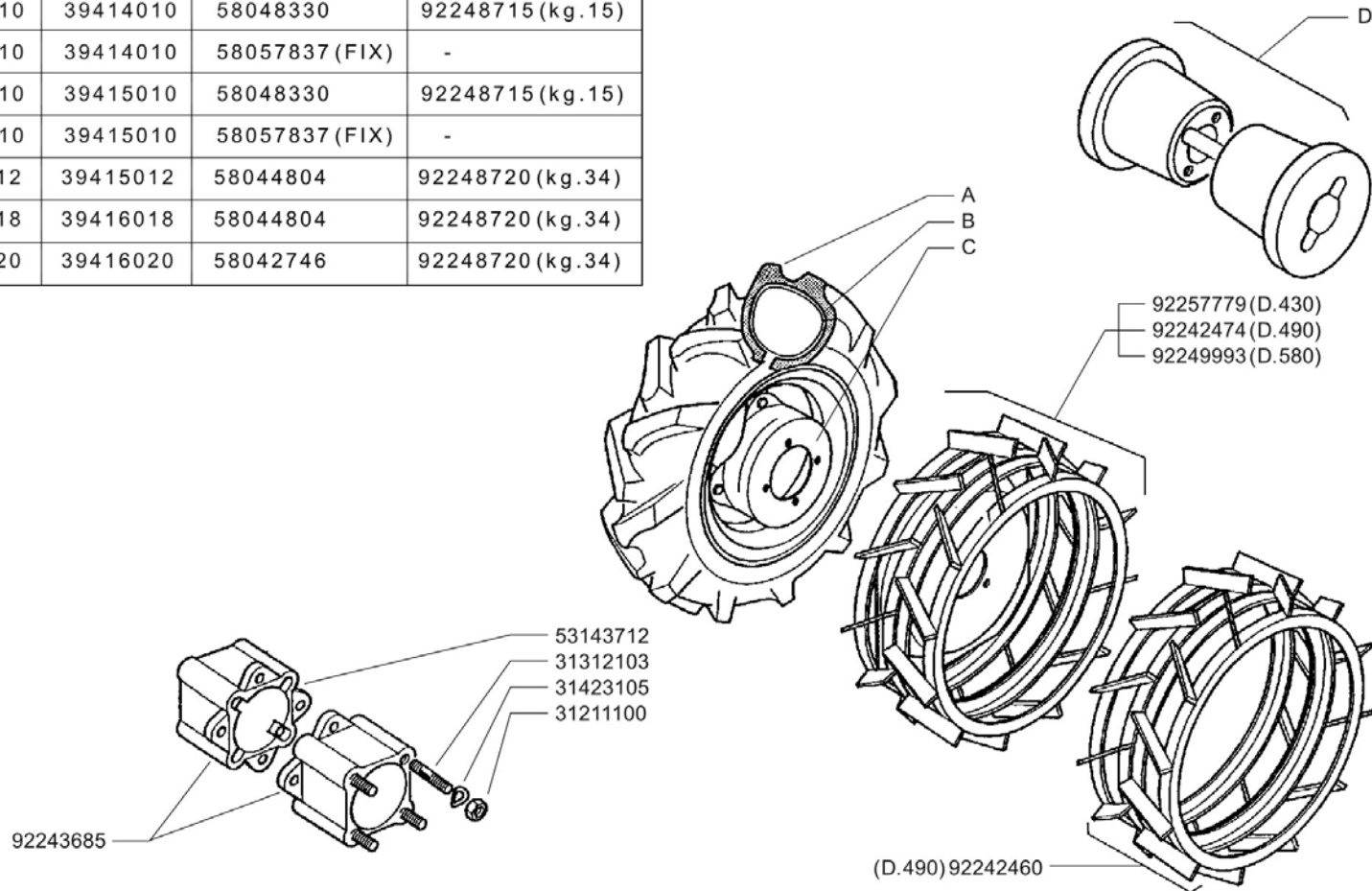
27/01/11



Pos.	Id	Q.ty	Description	Note
30000277	30000277	1	SWITCH	
30000295	30000295	1	LAMP 12V-5W-W2,1X9,5D	
31100201	31100201	1	SCREW TTQ M6X12 UNI 5731	
31121558	31121558		SCREW TTQ M6X16 UNI 5731	
31241060	31241060	1	HEXAGON SELFLOCK NUT M6	
31411064	31411064	1	WASHER 6,4x12,5	
31411090	31411090	1	WASHER 9x24	
552C0029	552C0029	1	COVER	
56119937	56119937	1	BATTERY SUPPORT	
56137370	56137370	1	BATTERY BRACKET	
56149590	56149590	1	BATTERY BRACKET	
56157387	56157387	1	ROD	
58045804	58045804	1	WARNING LIGHT	
58045807	58045807	1	LOCK COVER	
58047460	58047460	1	WIRING	
58049541	58049541	1	WIRING	
58057386	58057386	1	WIRING	
58135225	58135225		VIBRATION-DAMPING	
58157405	58157405	1	PLUG	
59057390	59057390	1	BOX	
59057604	59057604	1	BOX	
F0825500200	F0825500200	1	CHANGE-OVER SWITCH	
F0825500210	F0825500210	1	RING NUT	
F0825500220	F0825500220	1	KEY	



	A	B	C	D
4.00 - 8"	39114008	39414008	58043250	92243686 (kg.10)
4.0 - 10"	39114010	39414010	58048330	92248715 (kg.15)
4.0 - 10"	39114010	39414010	58057837 (FIX)	-
5.0 - 10"	39115010	39415010	58048330	92248715 (kg.15)
5.0 - 10"	39115010	39415010	58057837 (FIX)	-
5.00 - 12"	39115012	39415012	58044804	92248720 (kg.34)
6.5/80 - 12"	39116018	39416018	58044804	92248720 (kg.34)
6.5/80 - 15"	39116020	39416020	58042746	92248720 (kg.34)



700 serie **PS**
PowerSafe®

RUOTE

WHEELS
RUEDAS

ROUES
RÄDER

DALLA MACCHINA
FROM THE MACHINE
DE LA MACHINE
DE LA MAQUINA
AB DER MASCHINE

N.

P01 **0**

05/2009

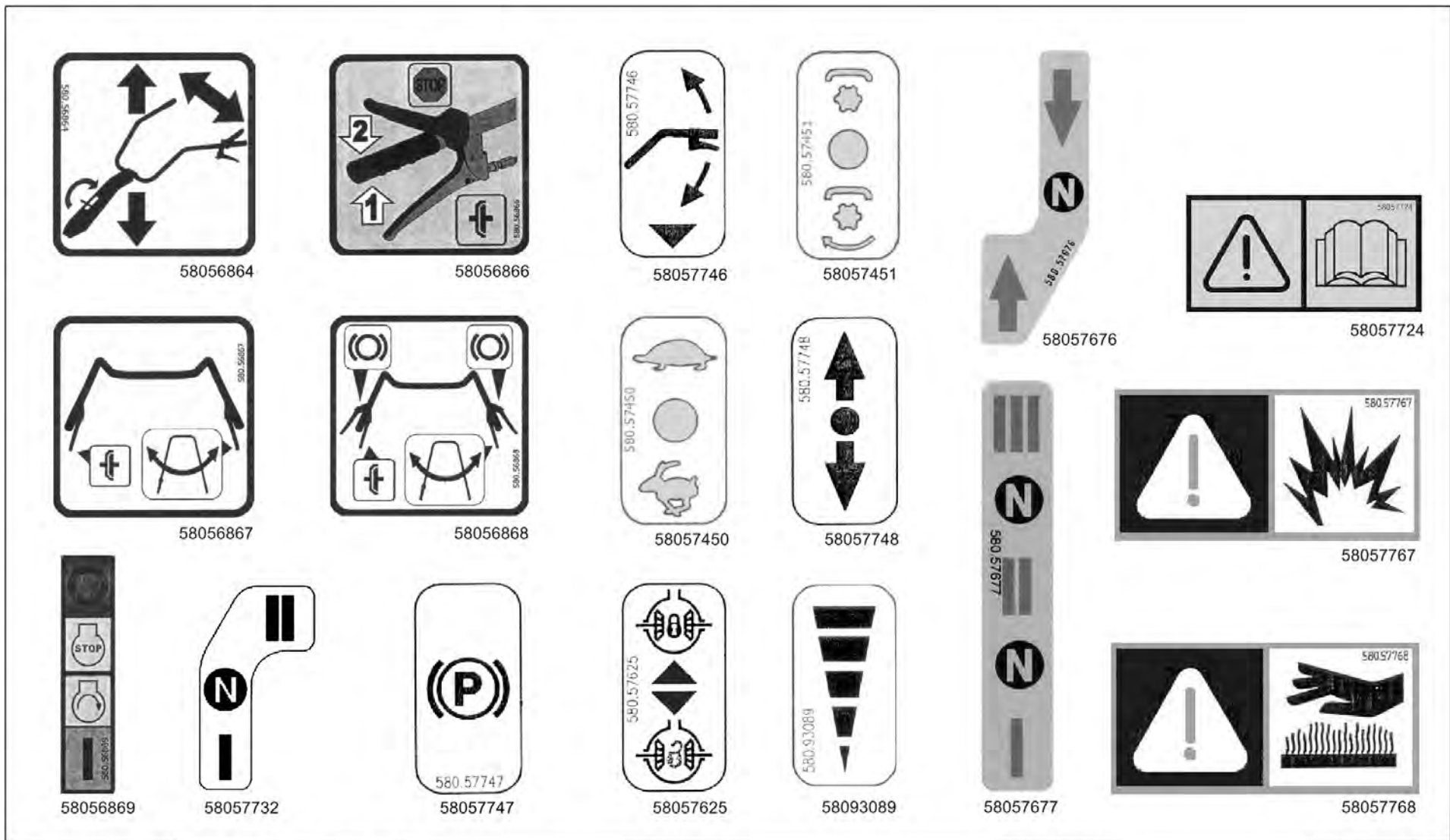
Rev.

ZENE



Pos.	Id	Q.ty	Description	Note
31211100	31211100	1	NUT M10	
31312103	31312103	1	STUD BOLT M10X46X24X16	
31423105	31423105	1	SPRING WASHER 10,5	
39114008	39114008	1	TYRE 4.00-8 2PR	
39114010	39114010	1	TYRE 4.0-10 2PR	
39115010	39115010	1	TYRE 5.00-10 2PR	
39115012	39115012	1	TYRE 5.00-12 2PR	
39116018	39116018	1	TYRE 6.5/80-12 2PR	
39116020	39116020	1	TYRE 6.5/80-15 4PR	
39414008	39414008	1	INNER TUBE X 4.00-8	
39414010	39414010	1	INNER TUBE x 4.0-10	
39415010	39415010	1	INNER TUBE X 4.0/5.0-10	
39415012	39415012	1	INNER TUBE	
39416018	39416018	1	INNER TUBE X 6-5/80-12	
39416020	39416020	1	INNER TUBE X 6.5/80-15	
53143712	53143712	1	SPACER	
58042746	58042746	1	RIM 5J15 CR	
58043250	58043250	1	RIM 2.50-8	
58044804	58044804	1	RIM 5JA12	
58048330	58048330	1	RIM 3.50D10 CR	
58057837	58057837	1	RIM 3.50 D-10	
92242460	92242460	1	TWINNING RINGS CM 49 (PAIR)	
92242474	92242474	1	STEEL CAGE WHEELS 49 CM (PAIR) FOR XB 40	
92243685	92243685	1	WHEEL SPACERS CM 6 (PAIR)	
92243686	92243686	1	PAIR OF WEIGHTS FOR 8 WHEELS 11 KGS	
92248715	92248715	1	WEIGHTS FOR WHEELS 10 EACH KG 15 (PAIR)	
92248720	92248720	1	WEIGHTS FOR WHEELS 12 KG 34 EACH (PAIR)	
92249993	92249993	1	STEEL CAGE WHEELS D. 58 (PAIR)	
92257779	92257779	1	STEEL CAGE WHEELS DIAM CM 43 (PAIR) X SB20-SB30	





	700 serie PS <i>PowerSafe</i> ®	ADESME STICKERS ADHESIVOS AUTOCOLLANTS AUFKLEBES	DALLA MACCHINA FROM THE MACHINE DE LA MACHINE DE LA MAQUINA AB DER MASCHINE N.	<table border="1"> <tr><td> </td></tr> <tr><td> </td></tr> <tr><td> </td></tr> <tr><td> </td></tr> </table>					<table border="1"> <tr> <td>Rev.</td> <td> </td> </tr> <tr> <td>R01</td> <td>0</td> </tr> <tr> <td colspan="2">05/2009</td> </tr> </table>	Rev.		R01	0	05/2009	
Rev.															
R01	0														
05/2009															



Pos.	Id	Q.ty	Description	Note
58056864	58056864	1	DECAL	
58056866	58056866	1	DECAL	
58056867	58056867	1	DECAL	
58056868	58056868	1	DECAL	
58056869	58056869	1	DECAL	
58057450	58057450	1	DECAL	
58057451	58057451	1	DECAL	
58057625	58057625	1	DECAL	
58057676	58057676	1	DECAL	
58057677	58057677	1	DECAL	
58057724	58057724	1	DECAL	
58057732	58057732	1	DECAL	
58057746	58057746	1	DECAL	
58057747	58057747	1	DECAL	
58057748	58057748	1	DECAL	
58057767	58057767	1	DECAL	
58057768	58057768	1	DECAL	
58093089	58093089	1	DECAL	



PowerSafe®

53057666



53093088



58057759

710

58057647

720

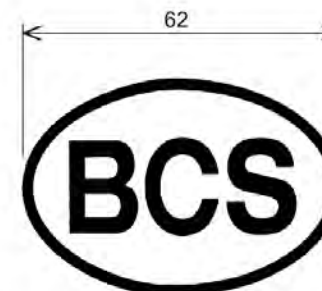
58057648

730

58057649

740

58057668



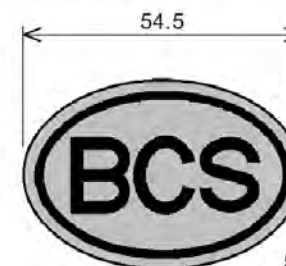
53048656

746

58057456

750

580584570



58057643



700 serie PS
PowerSafe®

STICKERS
ADHESIVOS

ADESME

AUTOCOLLANTS
AUFKLEBES

DALLA MACCHINA
FROM THE MACHINE
DE LA MACHINE
DE LA MAQUINA
AB DER MASCHINE

ON.

AGGIORNAMENTO
REVISION
MISE A JOUR
APLAZAMIENTO
ANPASSUNG

R02 1

11/2010

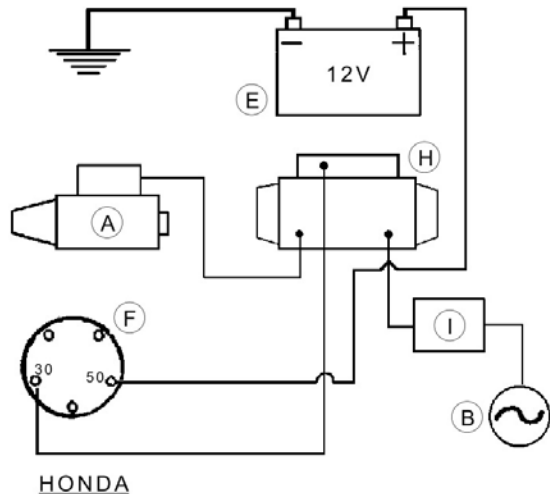
Rev.

7878

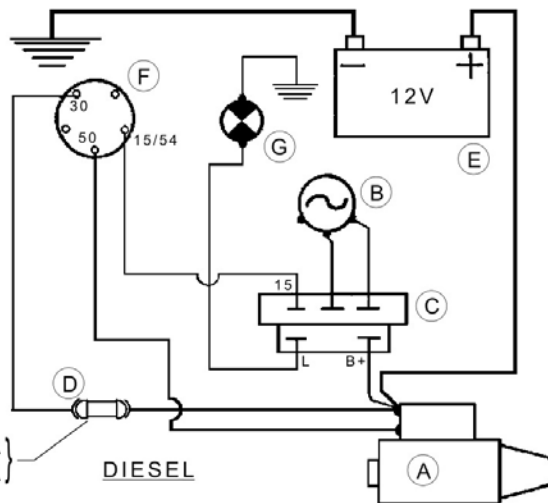


Pos.	Id	Q.ty	Description	Note
53048656	53048656	1	OVAL LOGO	
53057666	53057666	1	POWERSAFE BRAND	
53093088	53093088	1	OVAL LOGO	
58057456	58057456	1	DECAL 746 PS	
58057643	58057643	1	OVAL LOGO	
58057647	58057647	1	DECAL 710 ACTION	
58057648	58057648	1	DECAL 720 ACTION	
58057649	58057649	1	DECAL 730 ACTION	
58057668	58057668	1	DECAL 740 ACTION	
58057759	58057759	1	DECAL	
58058457	58058457	1	DECAL 750 /11	



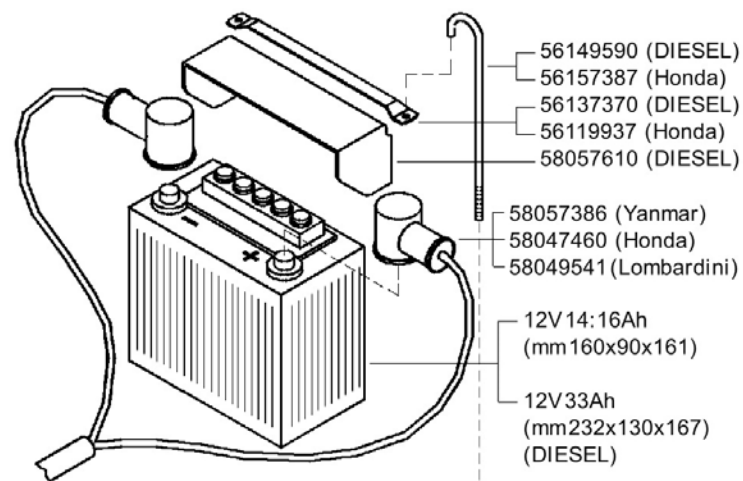


HONDA



(Yanmar) 15A
(Lombardini) 25A

DIESEL



- 56149590 (DIESEL)
- 56157387 (Honda)
- 56137370 (DIESEL)
- 56119937 (Honda)
- 58057610 (DIESEL)

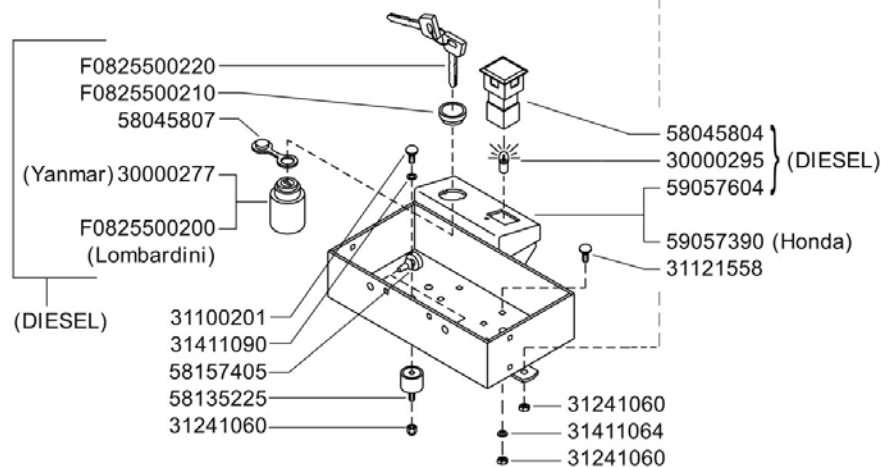
- 58057386 (Yanmar)
- 58047460 (Honda)
- 58049541 (Lombardini)

12V 14:16Ah
(mm160x90x161)

12V 33Ah
(mm232x130x167)
(DIESEL)

A	B	C	D
MOTORINOD'AVVIAMENTO STARTER DÉMARREUR MOT. DEARRANQUE ANLASSMOTOR	GENERATORE GENERATOR GÉNÉRATEUR GENERADOR GENERATOR	REGOLATORE REGULATOR RÉGULATEUR REGULADOR REGLER	FUSIBILI FUSES FUSIBLES FUSIBLES SCHMELZSICHERUNGEN

E	F	G	H	I
BATTERIA BATTERY BATTERIE BATERIA BATTERIE	INTERRUTTORE SWITCH INTERRUPTEUR INTERRUPTOR SCHALTER	SPIACARICABATTERIA BATTERYLONGWARN. LIGHT TEMOINCHARG. BATTERIE LUZCARGABATERIA BATTERIELADUNGKTRL. LAMPE	SOLENOIDE SOLENOID SOLÉNOÏDE SOLENOIDE SOLENOID	DIODO DIODE DIODE DIODO DIODE



- F0825500220
- F0825500210
- 58045807
- (Yanmar) 30000277
- F0825500200
(Lombardini)

(DIESEL)

- 31100201
- 31411090
- 58157405
- 58135225
- 31241060

- 58045804
- 30000295 (DIESEL)
- 59057604
- 59057390 (Honda)
- 31121558

- 31241060
- 31411064
- 31241060

N.



700 serie **PS**
PowerSafe®

AVVIAMENTO ELETTRICO

ELECTRIC STARTER
ARRANQUE ELECTRICO

DÉMARRAGE ELECTRIQUE
ELEKTROSTART

DALLA MACCHINA
FROM THE MACHINE
DE LA MACHINE
DE LA MAQUINA
AB DER MASCHINE

Rev.

Q01 **0**

05/2009

77NF



Pos.	Id	Q.ty	Description	Note
30000277	30000277	1	SWITCH	
30000295	30000295	1	LAMP 12V-5W-W2,1X9,5D	
31100201	31100201	1	SCREW TTQ M6X12 UNI 5731	
31121558	31121558		SCREW TTQ M6X16 UNI 5731	
31241060	31241060	1	HEXAGON SELFLOCK NUT M6	
31411064	31411064	1	WASHER 6,4x12,5	
31411090	31411090	1	WASHER 9x24	
56119937	56119937	1	BATTERY SUPPORT	
56137370	56137370	1	BATTERY BRACKET	
56149590	56149590	1	BATTERY BRACKET	
56157387	56157387	1	ROD	
58045804	58045804	1	WARNING LIGHT	
58045807	58045807	1	LOCK COVER	
58047460	58047460	1	WIRING	
58049541	58049541	1	WIRING	
58057386	58057386	1	WIRING	
58057610	58057610	1	BOX	
58135225	58135225		VIBRATION-DAMPING	
58157405	58157405	1	PLUG	
59057390	59057390	1	BOX	
59057604	59057604	1	BOX	
F0825500200	F0825500200	1	CHANGE-OVER SWITCH	
F0825500210	F0825500210	1	RING NUT	
F0825500220	F0825500220	1	KEY	



PowerSafe [®]
1

EasyDrive [®]
2

710
3

720
4

730
5

740
6

746
7

750
8



Pos.	Id	Q.ty	Description	Note
1	53057666	1	POWERSAFE BRAND	
2	53057670	1	DECAL	
3	58058452	1	DECAL 710 /11	
4	58058453	1	DECAL 720/11	
5	58058454	1	DECAL 730 /11	
6	58058455	1	DECAL 740 /11	
7	58058456	1	DECAL 746 /11	
8	58058457	1	DECAL 750 /11	
9	53093088	1	OVAL LOGO	
10	53048656	1	OVAL LOGO	
11	53058450	1	SMALL OVAL LOGO	



PowerSafe [®]

1

EasyDrive [®]

2



11

710

3

720

4

730

5



12

740

6

746

7

750

8

728

9

738

10

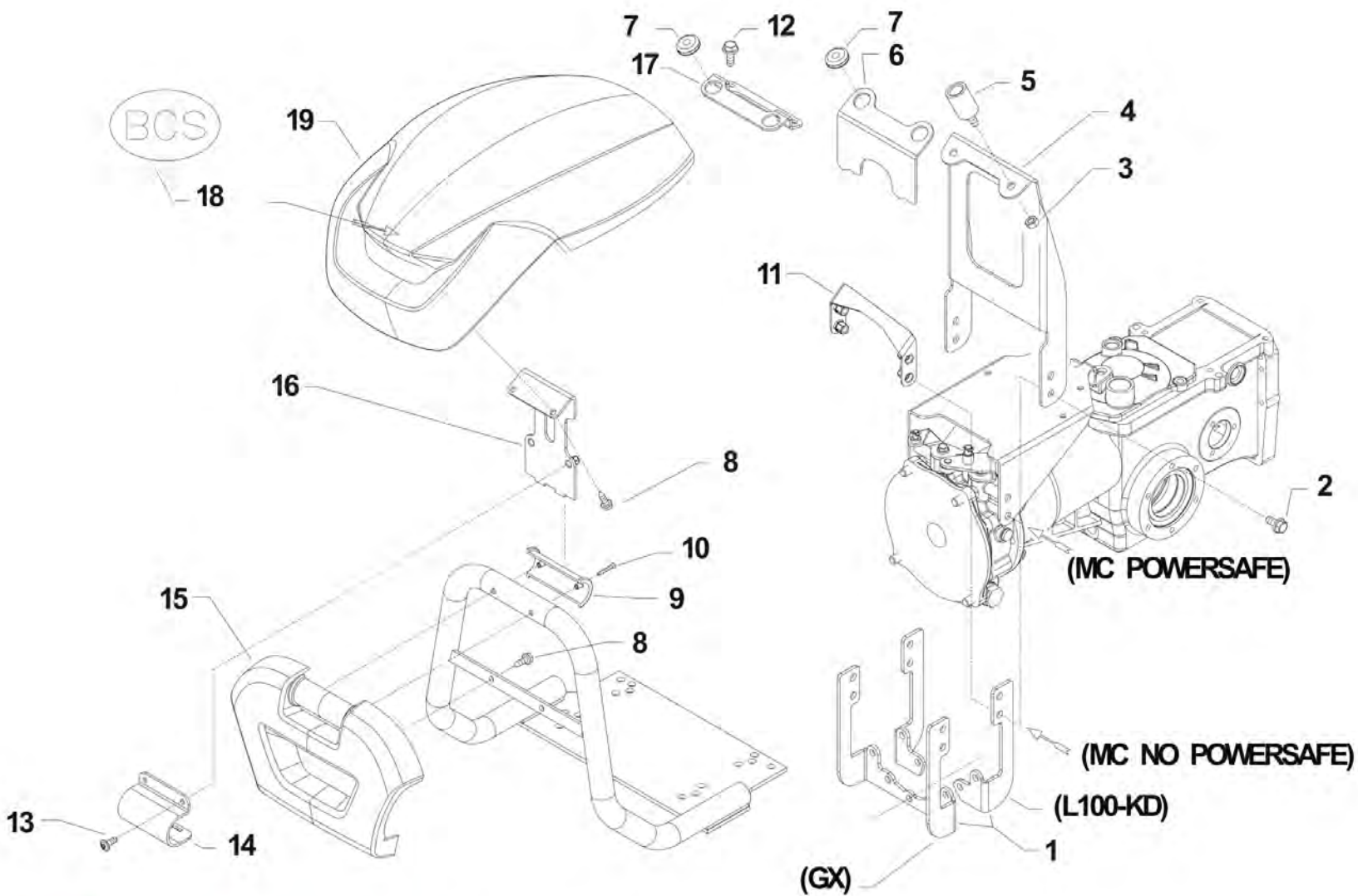


13



Pos.	Id	Q.ty	Description	Note
1	53057666	1	POWERSAFE BRAND	
2	53057670	1	DECAL	
3	58058452	1	DECAL 710 /11	
4	58058453	1	DECAL 720/11	
5	58058454	1	DECAL 730 /11	
6	58058455	1	DECAL 740 /11	
7	58058456	1	DECAL 746 /11	
8	58058457	1	DECAL 750 /11	
9	58058485	1	DECAL 728 /11	
10	58058484	1	DECAL 738 /11	
11	53093088	1	OVAL LOGO	
12	53048656	1	OVAL LOGO	
13	53058450	1	SMALL OVAL LOGO	





i = info - stop 2 sec. ★ = new part

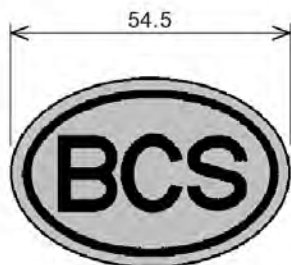


Pos.	Id	Q.ty	Description	Note
1	56157515N		HOLDER	NO POWERSAFE
2	31112170		SCREW TE C/F M8X20 DIN 6921	
3	31211080		NUT M8	
4	56157498N		SUPPORT	KD 440 - 15LD500
4	56157499N		SUPPORT	KD350 - GX340 - GX 390 - POWERSAFE SERIES
4	56157513N		SUPPORT	GX270
4	56157516N		SUPPORT	L100
5	58042111		STOPPER	
6	56157495N		SUPPORT	KD350 - NO POWERSAFE SERIES
7	58056991		CABLE GLAND 90/200/30	
8	31510100		RIBBED SCREW 6,3X19 UNI 6950	
9	55257522		HALF BEARING	
10	31100451		SCREW 3,5X25	
11	59257488		SUPPORT	
12	31112171		SCREW TE C/F M8X16 DIN 6921	3LD510
13	31121018		SCREW TBCEI FLANG. M6X16	
14	56157519N		RH HINGE	
15	55257521		BCS FRONT PLASTIC DESCRIPTION MC 2010	
16	59257517		PLATE	KD440 - L100
16	59257523		PLATE	KD350 - GX
16	592C0080		PLATE	3LD510
17	561C0078N		REAR SUPPORT	3LD510
18	53048656		OVAL LOGO	
19	55257520		BONNET	

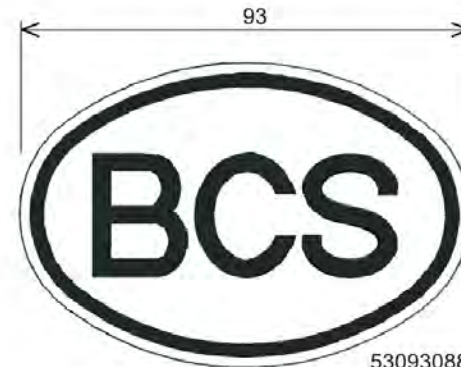


710

58057647



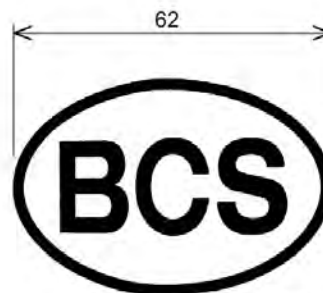
58057643



53093088

720

58057648



53048656

730

58057649



53057666

740

58057668

746

58057456



58057759



700 serie PS
PowerSafe®

ADESME

STICKERS
ADHESIVOS

AUTOCOLLANTS
AUFKLEBES

DALLA MACCHINA
FROM THE MACHINE
DE LA MACHINE
DE LA MAQUINA
AB DER MASCHINE

N.

Rev.
R02 0

05/2009

Rev.

7878



Pos.	Id	Q.ty	Description	Note
53048656	53048656	1	OVAL LOGO	
53057666	53057666	1	POWERSAFE BRAND	
53093088	53093088	1	OVAL LOGO	
58057456	58057456	1	DECAL 746 PS	
58057643	58057643	1	OVAL LOGO	
58057647	58057647	1	DECAL 710 ACTION	
58057648	58057648	1	DECAL 720 ACTION	
58057649	58057649	1	DECAL 730 ACTION	
58057668	58057668	1	DECAL 740 ACTION	
58057759	58057759	1	DECAL	



Id	drawing	Pos.	Q.ty
30000197	B.01.01.A0001_03	9	1
	B.01.01.A0001_04	9	
	B.01.01.A0001_05	9	
	B01_0_116809	30000197	1
	B01_1_124997	30000197	1
	B01_2_132294	30000197	1
30000277	Q01_0_117864	30000277	1
	Q01_1_136416	30000277	1
30000295	Q01_0_117864	30000295	1
	Q01_1_136416	30000295	1
30010120	M.03.02.A0001_02	29	
	M.03.02.A0001_03	29	
	M03_0_117772	30010120	1
	M03_1_132596	30010120	1
31100015	F.01.01.A0001_02	13	
	F01_0_116936	31100015	1
	F01_1_132354	31100015	1
31100023	E.01.01.A0001_02	5	
	E.01.01.A0001_03	5	
	E01_0_116925	31100023	1
	E01_1_132337	31100023	1
31100029	E.01.01.A0001_02	8	
	E01_0_116925	31100029	1
	E01_1_132337	31100029	1
31100031	E.01.01.A0001_02	8	
	E01_0_116925	31100031	1
	E01_1_132337	31100031	1
31100032	E.01.01.A0001_03	9	
31100033	E.01.01.A0001_03	9	

Id	drawing	Pos.	Q.ty
31100201	Q01_0_117864	31100201	1
	Q01_1_136416	31100201	1
31100451	A.02.01.A0001_02	11	1
	A.02.01.A0001_03	10	
	A.02.01.A0001_04	10	
	A02_1_132271	31100451	1
	J03_0_117488	31100451	1
	J03_1_132497	31100451	1
	J03_2_132500	31100451	1
	L.03.01.A0001_02	17	1
	L03_0_117642	31100451	1
	L03_1_132553	31100451	1
	M.03.02.A0001_02	11	
	M.03.02.A0001_03	11	
	M03_0_117772	31100451	1
	M03_1_132596	31100451	1
	S.01.01.A0001_00	10	
31104022	F.01.01.A0001_02	20	
	F01_0_116936	31104022	1
	F01_1_132354	31104022	1
31111229	J03_0_117488	31111229	1
	J03_1_132497	31111229	1
	J03_2_132500	31111229	1
31112081	A.02.01.A0001_03	7	
	A.02.01.A0001_04	7	
31112083	G02_0_117024	31112083	1
31112084	B.01.01.A0001_03	16	1
	B.01.01.A0001_04	16	
	B.01.01.A0001_05	16	

Id	drawing	Pos.	Q.ty
	B01_0_116809	31112084	1
	B01_1_124997	31112084	1
	B01_2_132294	31112084	1
31112085	A.02.01.A0001_02	9	1
	A02_0_116791	31112085	1
	A02_1_132271	31112085	1
31112089	K.03.01.A0001_02	2	
	K03_0_117558	31112089	1
	K03_1_132519	31112089	1
31112090	H.03.02.A0001_02	34	
	H.03.02.A0001_03	34	
	H03_0_117109	31112090	1
	H03_1_132413	31112090	1
	L.03.01.A0001_02	18	1
	L03_0_117642	31112090	1
	L03_1_132553	31112090	1
	N.02.01.A0001_02	6	1
	N02_0_117821	31112090	1
	N02_1_132637	31112090	1
31112099	D.01.01.A0001_02	2	1
	D.01.01.A0001_03	2	
	D01_0_116850	31112099	1
	D01_1_132326	31112099	1
31112149	M.03.02.A0001_02	14	
	M.03.02.A0001_03	14	
	M03_0_117772	31112149	1
	M03_1_132596	31112149	1
31112154	A.02.01.A0001_02	1	1
	A.02.01.A0001_03	1	



Id	drawing	Pos.	Q.ty
	A.02.01.A0001_04	1	
	A02_0_116791	31112154	1
	A02_1_132271	31112154	1
31112165	J03_0_117488	31112165	1
	J03_1_132497	31112165	1
	J03_2_132500	31112165	1
31112166	I03_0_117280	31112166	1
	N.02.01.A0001_02	11	1
	N02_0_117821	31112166	1
	N02_1_132637	31112166	1
31112167	I03_0_117280	31112167	1
31112170	A.02.01.A0001_04	20	
	G02_0_117024	31112170	1
	S.01.01.A0001_00	2	
31112171	A.02.01.A0001_02	3	1
	A.02.01.A0001_03	3	
	A.02.01.A0001_04	3	
	A02_0_116791	31112171	1
	A02_1_132271	31112171	1
	M.03.02.A0001_03	1	
	M03_0_117772	31112171	1
	M03_1_132596	31112171	1
	S.01.01.A0001_00	12	
31112210	A.02.01.A0001_02	18	1
	A.02.01.A0001_03	17	
	A.02.01.A0001_04	17	
	A02_1_132271	31112210	1
31112211	H.03.02.A0001_02	20	
	H.03.02.A0001_03	20	

Id	drawing	Pos.	Q.ty
	H.03.02.A0001_04	20	
	H.03.02.A0001_05	20	
	H03_0_117109	31112211	1
	H03_1_132413	31112211	1
31112293	J03_0_117488	31112293	1
	J03_1_132497	31112293	1
	J03_2_132500	31112293	1
31112701	M.03.02.A0001_02	30	
	M.03.02.A0001_03	30	
	M03_0_117772	31112701	1
	M03_1_132596	31112701	1
31121008	A.02.01.A0001_02	6	1
	A.02.01.A0001_03	5	
	A.02.01.A0001_04	5	
	A02_0_116791	31121008	1
	A02_1_132271	31121008	1
31121018	S.01.01.A0001_00	13	
31121020	K.03.01.A0001_02	24	
	K03_0_117558	31121020	1
	K03_1_132519	31121020	1
	L.03.01.A0001_02	27	1
	L03_0_117642	31121020	1
	L03_1_132553	31121020	1
31121024	L.03.01.A0001_02	13	1
	L03_0_117642	31121024	1
	L03_1_132553	31121024	1
31121558	Q01_0_117864	31121558	
	Q01_1_136416	31121558	
31152060	B.01.01.A0001_03	24	1

Id	drawing	Pos.	Q.ty
	B.01.01.A0001_04	24	
	B.01.01.A0001_05	24	
	B01_0_116809	31152060	1
	B01_1_124997	31152060	1
	B01_2_132294	31152060	1
31152063	B.01.01.A0001_03	1	1
	B.01.01.A0001_04	1	
	B.01.01.A0001_05	1	
	B01_0_116809	31152063	1
	B01_1_124997	31152063	1
	B01_2_132294	31152063	1
31152085	N.02.01.A0001_02	5	1
	N02_0_117821	31152085	1
	N02_1_132637	31152085	1
31152090	E.01.01.A0001_02	12	
	E.01.01.A0001_03	13	
	E01_0_116925	31152090	1
	E01_1_132337	31152090	1
31211080	K.03.01.A0001_02	13	
	K03_0_117558	31211080	1
	K03_1_132519	31211080	1
	L.03.01.A0001_02	21	1
	L03_0_117642	31211080	1
	L03_1_132553	31211080	1
	S.01.01.A0001_00	3	
31211100	I03_0_117280	31211100	1
	P01_0_117834	31211100	1
	P01_1_132651	31211100	1
31221121	G02_0_117024	31221121	1



Id	drawing	Pos.	Q.ty
31241042	L.03.01.A0001_02	14	1
	L03_0_117642	31241042	1
	L03_1_132553	31241042	1
31241060	A.02.01.A0001_02	17	1
	A02_0_116791	31241060	1
	A02_1_132271	31241060	1
	K.03.01.A0001_02	14	
	K03_0_117558	31241060	1
	K03_1_132519	31241060	1
	Q01_0_117864	31241060	1
	Q01_1_136416	31241060	1
31241065	K.03.01.A0001_02	9	
	K03_0_117558	31241065	1
	K03_1_132519	31241065	1
31241066	A.02.01.A0001_03	16	
31241080	I03_0_117280	31241080	1
	J03_0_117488	31241080	1
	J03_1_132497	31241080	1
	J03_2_132500	31241080	1
	M.03.02.A0001_02	36	
	M.03.02.A0001_03	36	
	M03_0_117772	31241080	1
	M03_1_132596	31241080	1
31241083	F.01.01.A0001_02	3	
	F01_0_116936	31241083	1
	F01_1_132354	31241083	1
31241084	A.02.01.A0001_02	2	1
	A.02.01.A0001_03	2	
	A.02.01.A0001_04	2	

Id	drawing	Pos.	Q.ty
	A02_0_116791	31241084	1
	A02_1_132271	31241084	1
	G02_0_117024	31241084	1
	I03_0_117280	31241084	1
	L.03.01.A0001_02	25	1
	L03_0_117642	31241084	1
	L03_1_132553	31241084	1
	N.02.01.A0001_02	9	1
	N02_0_117821	31241084	1
	N02_1_132637	31241084	1
31241100	J03_0_117488	31241100	1
	J03_1_132497	31241100	1
	J03_2_132500	31241100	1
31241120	M.03.02.A0001_02	26	
	M.03.02.A0001_03	26	
	M03_0_117772	31241120	1
	M03_1_132596	31241120	1
31241124	G02_0_117024	31241124	1
31241126	J03_0_117488	31241126	1
	J03_1_132497	31241126	1
	J03_2_132500	31241126	1
31312073	F.01.01.A0001_02	6	
	F01_0_116936	31312073	1
	F01_1_132354	31312073	1
31312080	I03_0_117280	31312080	1
31312082	G02_0_117024	31312082	1
31312084	G02_0_117024	31312084	1
31312094	G02_0_117024	31312094	1
31312097	F.01.01.A0001_02	4	

Id	drawing	Pos.	Q.ty
	F01_0_116936	31312097	1
	F01_1_132354	31312097	1
31312102	I03_0_117280	31312102	1
31312103	P01_0_117834	31312103	1
	P01_1_132651	31312103	1
31312124	G02_0_117024	31312124	1
31312125	G02_0_117024	31312125	1
31411064	Q01_0_117864	31411064	1
	Q01_1_136416	31411064	1
31411084	M.03.02.A0001_02	16	
	M.03.02.A0001_03	16	
	M03_0_117772	31411084	1
	M03_1_132596	31411084	1
31411090	Q01_0_117864	31411090	1
	Q01_1_136416	31411090	1
31411104	M.03.02.A0001_02	20	
	M.03.02.A0001_03	20	
	M03_0_117772	31411104	1
	M03_1_132596	31411104	1
31411130	M.03.02.A0001_02	27	
	M.03.02.A0001_03	27	
	M03_0_117772	31411130	1
	M03_1_132596	31411130	1
31414130	M.03.02.A0001_02	2	
	M03_0_117772	31414130	1
	M03_1_132596	31414130	1
31421083	E.01.01.A0001_02	4	
	E.01.01.A0001_02	11	
	E.01.01.A0001_03	4	



Id	drawing	Pos.	Q.ty
	E.01.01.A0001_03	12	
	E01_0_116925	31421083	1
	E01_1_132337	31421083	1
31421100Z	J03_0_117488	31421100Z	1
	J03_1_132497	31421100Z	1
	J03_2_132500	31421100Z	1
31421101	E.01.01.A0001_03	8	
	H.03.02.A0001_02	21	
	H.03.02.A0001_03	21	
	H.03.02.A0001_04	21	
	H.03.02.A0001_05	21	
	H03_0_117109	31421101	1
	H03_1_132413	31421101	1
31421130	E.01.01.A0001_03	8	
31421132	G02_0_117024	31421132	1
31423084	F.01.01.A0001_02	21	
	F01_0_116936	31423084	1
	F01_1_132354	31423084	1
	I03_0_117280	31423084	1
	M.03.02.A0001_02	15	
	M.03.02.A0001_03	15	
	M03_0_117772	31423084	1
	M03_1_132596	31423084	1
31423105	A.02.01.A0001_02	19	1
	A.02.01.A0001_03	18	
	A.02.01.A0001_04	18	
	A02_1_132271	31423105	1
	I03_0_117280	31423105	1
	P01_0_117834	31423105	1

Id	drawing	Pos.	Q.ty
	P01_1_132651	31423105	1
31480180	B01_0_116809	31480180	1
	B01_1_124997	31480180	1
31480184	B.01.01.A0001_03	10	1
	B.01.01.A0001_04	10	
	B.01.01.A0001_05	10	
	B01_0_116809	31480184	1
	B01_1_124997	31480184	1
	B01_2_132294	31480184	1
	G02_0_117024	31480184	1
31510099	A02_0_116791	31510099	1
	A02_1_132271	31510099	1
31510100	A.02.01.A0001_02	13	1
	A.02.01.A0001_03	12	
	A.02.01.A0001_04	12	
	A02_0_116791	31510100	1
	A02_1_132271	31510100	1
	S.01.01.A0001_00	8	
34110028	M.03.02.A0001_02	19	
	M.03.02.A0001_03	19	
	M03_0_117772	34110028	1
	M03_1_132596	34110028	1
34211042	H.03.02.A0001_02	17	
	H.03.02.A0001_03	17	
	H.03.02.A0001_04	17	
	H.03.02.A0001_05	17	
	H03_0_117109	34211042	1
	H03_1_132413	34211042	1
34213020	L.03.01.A0001_02	23	1

Id	drawing	Pos.	Q.ty
	L03_0_117642	34213020	1
	L03_1_132553	34213020	1
	M.03.02.A0001_02	4	
	M.03.02.A0001_03	4	
	M03_0_117772	34213020	1
	M03_1_132596	34213020	1
34213024	M.03.02.A0001_02	7	
	M.03.02.A0001_03	7	
	M03_0_117772	34213024	1
	M03_1_132596	34213024	1
34213060	H.03.02.A0001_02	23	
	H.03.02.A0001_03	23	
	H.03.02.A0001_04	23	
	H.03.02.A0001_05	23	
	H03_0_117109	34213060	1
	H03_1_132413	34213060	1
34213061	H.03.02.A0001_02	25	
	H.03.02.A0001_03	25	
	H.03.02.A0001_04	25	
	H.03.02.A0001_05	25	
	H03_0_117109	34213061	1
	H03_1_132413	34213061	1
34221040	B.01.01.A0001_03	5	1
	B.01.01.A0001_04	5	
	B.01.01.A0001_05	5	
	B01_0_116809	34221040	1
	B01_1_124997	34221040	1
	B01_2_132294	34221040	1
35111029	E.01.01.A0001_02	16	



Id	drawing	Pos.	Q.ty
	E.01.01.A0001_03	16	
	E01_0_116925	35111029	1
	E01_1_132337	35111029	1
35111047	H.03.02.A0001_02	37	
	H.03.02.A0001_03	37	
	H03_0_117109	35111047	1
	H03_1_132413	35111047	1
	I03_0_117280	35111047	1
35111053	H.03.02.A0001_02	28	
	H.03.02.A0001_03	28	
	H.03.02.A0001_04	28	
	H.03.02.A0001_05	28	
	H03_0_117109	35111053	1
	H03_1_132413	35111053	1
35111055	H.03.02.A0001_02	8	
	H.03.02.A0001_03	8	
	H.03.02.A0001_04	8	
	H.03.02.A0001_05	8	
	H03_0_117109	35111055	1
	H03_1_132413	35111055	1
35121031	H.03.02.A0001_02	6	
	H.03.02.A0001_03	6	
	H.03.02.A0001_04	6	
	H.03.02.A0001_05	6	
	H03_0_117109	35121031	1
	H03_1_132413	35121031	1
35211050	B.01.01.A0001_03	17	1
	B.01.01.A0001_04	17	
	B.01.01.A0001_05	17	

Id	drawing	Pos.	Q.ty
	B01_0_116809	35211050	1
	B01_1_124997	35211050	1
	B01_2_132294	35211050	1
35211060	B.01.01.A0001_03	15	1
	B.01.01.A0001_04	15	
	B.01.01.A0001_05	15	
	B01_0_116809	35211060	1
	B01_1_124997	35211060	1
	B01_2_132294	35211060	1
	I03_0_117280	35211060	1
35211120	H.03.02.A0001_02	33	
	H.03.02.A0001_03	33	
	H.03.02.A0001_04	33	
	H.03.02.A0001_05	33	
	H03_0_117109	35211120	1
	H03_1_132413	35211120	1
37111150	H.03.02.A0001_02	1	
	H.03.02.A0001_03	1	
	H.03.02.A0001_04	1	
	H03_0_117109	37111150	1
	H03_1_132413	37111150	1
37111151	H.03.02.A0001_05	1	
37111152	H.03.02.A0001_02	32	
	H.03.02.A0001_03	32	
	H.03.02.A0001_04	32	
	H.03.02.A0001_05	32	
	H03_0_117109	37111152	1
	H03_1_132413	37111152	1
37111250	I03_0_117280	37111250	1

Id	drawing	Pos.	Q.ty
37111253	I03_0_117280	37111253	1
37112229	H.03.02.A0001_02	7	
	H.03.02.A0001_03	7	
	H.03.02.A0001_04	7	
	H.03.02.A0001_05	7	
	H03_0_117109	37112229	1
	H03_1_132413	37112229	1
37112252	H.03.02.A0001_02	38	
	H.03.02.A0001_03	38	
	H03_0_117109	37112252	1
	H03_1_132413	37112252	1
37141250	H.03.02.A0001_02	26	
	H.03.02.A0001_03	26	
	H.03.02.A0001_04	26	
	H.03.02.A0001_05	26	
	H03_0_117109	37141250	1
	H03_1_132413	37141250	1
37141253	C.01.01.A0001_02	7	
	C01_0_116836	37141253	1
	C01_1_125029	37141253	1
37161500	C.01.01.A0001_02	3	
	C01_0_116836	37161500	1
	C01_1_125029	37161500	1
37320120	H.03.02.A0001_02	14	
	H.03.02.A0001_03	14	
	H.03.02.A0001_04	14	
	H.03.02.A0001_05	14	
	H03_0_117109	37320120	1
	H03_1_132413	37320120	1



Id	drawing	Pos.	Q.ty
37331450	H.03.02.A0001_04	34	
	H.03.02.A0001_05	34	
37910832	H.03.02.A0001_02	12	
	H.03.02.A0001_03	12	
	H.03.02.A0001_04	12	
	H.03.02.A0001_05	12	
	H03_0_117109	37910832	1
	H03_1_132413	37910832	1
37911532	M.03.02.A0001_02	33	
	M.03.02.A0001_03	33	
	M03_0_117772	37911532	1
	M03_1_132596	37911532	1
38110675	E.01.01.A0001_02	2	
	E.01.01.A0001_03	2	
	E01_0_116925	38110675	1
	E01_1_132337	38110675	1
38110873	D.01.01.A0001_02	4	1
	D.01.01.A0001_03	4	
	D01_0_116850	38110873	1
	D01_1_132326	38110873	1
	F.01.01.A0001_02	23	
	F01_0_116936	38110873	1
	F01_1_132354	38110873	1
38111191	M.03.02.A0001_02	1	
	M03_0_117772	38111191	1
	M03_1_132596	38111191	1
38111400	I03_0_117280	38111400	1
38111872	E.01.01.A0001_02	9	
	E.01.01.A0001_03	10	

Id	drawing	Pos.	Q.ty
	E01_0_116925	38111872	1
	E01_1_132337	38111872	1
38118859	C.01.01.A0001_02	1	
	C01_0_116836	38118859	1
	C01_1_125029	38118859	1
38119823	F.01.01.A0001_02	2	
	F01_0_116936	38119823	1
	F01_1_132354	38119823	1
38120500	C01_0_116836	38120500	1
	C01_1_125029	38120500	1
38120501	C.01.01.A0001_02	9	
38140850	C01_0_116836	38140850	1
	C01_1_125029	38140850	1
38140851	C.01.01.A0001_02	11	
38211400	B.01.01.A0001_03	19	1
	B.01.01.A0001_04	19	
	B.01.01.A0001_05	19	
	B01_0_116809	38211400	1
	B01_1_124997	38211400	1
	B01_2_132294	38211400	1
	M.03.02.A0001_02	13	
	M.03.02.A0001_03	13	
	M03_0_117772	38211400	1
	M03_1_132596	38211400	1
38212500	F.01.01.A0001_02	19	
	F01_0_116936	38212500	1
	F01_1_132354	38212500	1
38213002	I03_0_117280	38213002	1
38213202	F.01.01.A0001_02	1	

Id	drawing	Pos.	Q.ty
	F01_0_116936	38213202	1
	F01_1_132354	38213202	1
38213500	F.01.01.A0001_02	12	
	F01_0_116936	38213500	1
	F01_1_132354	38213500	1
38213800	H.03.02.A0001_02	9	
	H.03.02.A0001_03	9	
	H.03.02.A0001_04	9	
	H.03.02.A0001_05	9	
	H03_0_117109	38213800	1
	H03_1_132413	38213800	1
38214207	H.03.02.A0001_03	9	
	H.03.02.A0001_04	9	
	H.03.02.A0001_05	9	
39114008	P01_0_117834	39114008	1
	P01_1_132651	39114008	1
39114010	P01_0_117834	39114010	1
	P01_1_132651	39114010	1
39115010	P01_0_117834	39115010	1
	P01_1_132651	39115010	1
39115012	P01_0_117834	39115012	1
	P01_1_132651	39115012	1
39116018	P01_0_117834	39116018	1
	P01_1_132651	39116018	1
39116020	P01_0_117834	39116020	1
	P01_1_132651	39116020	1
39414008	P01_0_117834	39414008	1
	P01_1_132651	39414008	1
39414010	P01_0_117834	39414010	1



Id	drawing	Pos.	Q.ty
39415010	P01_0_117834	39415010	1
	P01_1_132651	39415010	1
39415012	P01_0_117834	39415012	1
	P01_1_132651	39415012	1
39416018	P01_0_117834	39416018	1
	P01_1_132651	39416018	1
39416020	P01_0_117834	39416020	1
	P01_1_132651	39416020	1
51156214	B.01.01.A0001_03	2	1
	B.01.01.A0001_04	2	
	B01_0_116809	51156214	1
	B01_1_124997	51156214	1
	B01_2_132294	51156214	1
51359229N	G02_0_117024	51359229N	1
52156810Z	L.03.01.A0001_02	34	1
	L03_0_117642	52156810Z	1
	L03_1_132553	52156810Z	1
52156917	J03_0_117488	52156917	1
	J03_1_132497	52156917	1
	J03_2_132500	52156917	1
52357250	M.03.02.A0001_02	12	
	M03_0_117772	52357250	1
	M03_1_132596	52357250	1
52448187N	I03_0_117280	52448187N	1
52448188N	I03_0_117280	52448188N	1
52456211	C01_0_116836	52456211	1
52456217	B.01.01.A0001_03	3	1
	B.01.01.A0001_04	3	
	B01_0_116809	52456217	1

Id	drawing	Pos.	Q.ty
	B01_1_124997	52456217	1
	B01_2_132294	52456217	1
52456220	B.01.01.A0001_03	20	1
	B.01.01.A0001_04	20	
	B.01.01.A0001_05	20	
	B01_0_116809	52456220	1
	B01_1_124997	52456220	1
	B01_2_132294	52456220	1
52456223	B.01.01.A0001_03	4	1
	B.01.01.A0001_04	4	
	B01_0_116809	52456223	1
	B01_1_124997	52456223	1
	B01_2_132294	52456223	1
52456233	E.01.01.A0001_02	6	
	E.01.01.A0001_03	6	
	E01_0_116925	52456233	1
	E01_1_132337	52456233	1
52456234	E.01.01.A0001_02	1	
	E.01.01.A0001_03	1	
	E01_0_116925	52456234	1
	E01_1_132337	52456234	1
52456235	B.01.01.A0001_03	29	1
	B.01.01.A0001_04	29	
	B.01.01.A0001_05	29	
	B01_0_116809	52456235	1
	B01_1_124997	52456235	1
	B01_2_132294	52456235	1
52456236	F.01.01.A0001_02	10	
	F01_0_116936	52456236	1

Id	drawing	Pos.	Q.ty
	F01_1_132354	52456236	1
52456237	F.01.01.A0001_02	17	
	F01_0_116936	52456237	1
	F01_1_132354	52456237	1
52456243	E.01.01.A0001_02	13	
	E01_0_116925	52456243	1
	E01_1_132337	52456243	1
52456245	E.01.01.A0001_02	10	
	E.01.01.A0001_03	11	
	E01_0_116925	52456245	1
	E01_1_132337	52456245	1
52456336	H.03.02.A0001_02	10	
	H.03.02.A0001_03	10	
	H.03.02.A0001_04	10	
	H.03.02.A0001_05	10	
	H03_0_117109	52456336	1
	H03_1_132413	52456336	1
52456340	H.03.02.A0001_02	31	
	H.03.02.A0001_03	31	
	H.03.02.A0001_04	31	
	H.03.02.A0001_05	31	
	H03_0_117109	52456340	1
	H03_1_132413	52456340	1
52456349	H.03.02.A0001_02	22	
	H.03.02.A0001_03	22	
	H.03.02.A0001_04	22	
	H.03.02.A0001_05	22	
	H03_0_117109	52456349	1
	H03_1_132413	52456349	1



Id	drawing	Pos.	Q.ty
52456352	F.01.01.A0001_02	10	
52456354	H.03.02.A0001_02	29	
	H.03.02.A0001_03	29	
	H.03.02.A0001_04	29	
	H.03.02.A0001_05	29	
	H03_0_117109	52456354	1
	H03_1_132413	52456354	1
52456360	H.03.02.A0001_02	30	
	H.03.02.A0001_03	30	
	H.03.02.A0001_04	30	
	H.03.02.A0001_05	30	
	H03_0_117109	52456360	1
	H03_1_132413	52456360	1
52456362	H03_0_117109	52456362	1
	H03_1_132413	52456362	1
52456370	H.03.02.A0001_02	3	
	H.03.02.A0001_03	3	
	H.03.02.A0001_04	3	
	H.03.02.A0001_05	3	
	H03_0_117109	52456370	1
	H03_1_132413	52456370	1
52456371	B.01.01.A0001_05	3	
52456372	B.01.01.A0001_05	4	
52456389	H.03.02.A0001_02	24	
	H.03.02.A0001_03	24	
	H.03.02.A0001_04	24	
	H.03.02.A0001_05	24	
	H03_0_117109	52456389	1
	H03_1_132413	52456389	1

Id	drawing	Pos.	Q.ty
52456390	H.03.02.A0001_02	19	
	H.03.02.A0001_03	19	
	H.03.02.A0001_04	19	
	H.03.02.A0001_05	19	
	H03_0_117109	52456390	1
	H03_1_132413	52456390	1
52456694	C.01.01.A0001_02	6	
	C01_1_125029	52456694	1
52456705	H.03.02.A0001_02	10	
	H03_1_132413	52456705	1
52456706	H.03.02.A0001_02	5	
	H.03.02.A0001_03	5	
	H.03.02.A0001_04	5	
	H.03.02.A0001_05	5	
	H03_1_132413	52456706	1
52456713	H.03.02.A0001_03	10	
52457866	H.03.02.A0001_02	39	
	H.03.02.A0001_03	39	
	H03_0_117109	52457866	1
	H03_1_132413	52457866	1
524C0061	H.03.02.A0001_04	10	
	H.03.02.A0001_05	10	
53048656	R.02.01.A0001_02	10	1
	R.02.01.A0001_03	12	1
	R02_0_117906	53048656	1
	R02_1_132700	53048656	1
	S.01.01.A0001_00	18	
53057666	R.02.01.A0001_02	1	1
	R.02.01.A0001_03	1	1

Id	drawing	Pos.	Q.ty
	R02_0_117906	53057666	1
	R02_1_132700	53057666	1
53057670	R.02.01.A0001_02	2	1
	R.02.01.A0001_03	2	1
53058450	R.02.01.A0001_02	11	1
	R.02.01.A0001_03	13	1
53093088	R.02.01.A0001_02	9	1
	R.02.01.A0001_03	11	1
	R02_0_117906	53093088	1
	R02_1_132700	53093088	1
53143712	P01_0_117834	53143712	1
	P01_1_132651	53143712	1
53143875B	G02_0_117024	53143875B	1
53156202B	G02_0_117024	53156202B	1
53156205	F.01.01.A0001_02	14	
	F01_0_116936	53156205	1
	F01_1_132354	53156205	1
53156206	F.01.01.A0001_02	22	
	F01_0_116936	53156206	1
	F01_1_132354	53156206	1
53156207	F.01.01.A0001_02	5	
	F01_0_116936	53156207	1
	F01_1_132354	53156207	1
53156209	D.01.01.A0001_02	3	1
	D.01.01.A0001_03	3	
	D01_0_116850	53156209	1
	D01_1_132326	53156209	1
53156210	C.01.01.A0001_02	8	
	C01_0_116836	53156210	1



Id	drawing	Pos.	Q.ty
	C01_1_125029	53156210	1
53156218	C.01.01.A0001_02	10	
	C01_0_116836	53156218	1
	C01_1_125029	53156218	1
53156332B	G02_0_117024	53156332B	1
53156345B	G02_0_117024	53156345B	1
53156659	D.01.01.A0001_02	3	1
	D.01.01.A0001_03	3	
53156860	L.03.01.A0001_02	9	1
	L03_0_117642	53156860	1
	L03_1_132553	53156860	1
53243851N	I03_0_117280	53243851N	1
53256692	F.01.01.A0001_02	14	
532C0055	F.01.01.A0001_02	7	
	F01_1_132354	532C0055	1
55102678	G02_0_117024	55102678	1
55157212	J03_0_117488	55157212	1
	J03_1_132497	55157212	1
	J03_2_132500	55157212	1
	L.03.01.A0001_02	10	1
	L03_0_117642	55157212	1
	L03_1_132553	55157212	1
	M.03.02.A0001_02	9	
	M.03.02.A0001_03	9	
	M03_0_117772	55157212	1
	M03_1_132596	55157212	1
55157213	J03_0_117488	55157213	1
	J03_1_132497	55157213	1
	J03_2_132500	55157213	1

Id	drawing	Pos.	Q.ty
	L.03.01.A0001_02	16	1
	L03_0_117642	55157213	1
	L03_1_132553	55157213	1
	M.03.02.A0001_02	10	
	M.03.02.A0001_03	10	
	M03_0_117772	55157213	1
	M03_1_132596	55157213	1
55157214	L.03.01.A0001_02	33	1
	L03_0_117642	55157214	1
	L03_1_132553	55157214	1
55157215	L.03.01.A0001_02	32	1
	L03_0_117642	55157215	1
	L03_1_132553	55157215	1
55242528	M.03.02.A0001_02	39	
	M.03.02.A0001_03	2	
	M03_0_117772	55242528	1
	M03_1_132596	55242528	1
55243340	J03_0_117488	55243340	1
	J03_1_132497	55243340	1
	J03_2_132500	55243340	1
55248241	A.02.01.A0001_04	21	
55248379	M.03.02.A0001_02	21	
	M.03.02.A0001_03	21	
	M03_0_117772	55248379	1
	M03_1_132596	55248379	1
55256185	K.03.01.A0001_02	8	
	K03_0_117558	55256185	1
	K03_1_132519	55256185	1
55256197	L.03.01.A0001_02	6	1

Id	drawing	Pos.	Q.ty
	L03_0_117642	55256197	1
	L03_1_132553	55256197	1
55256228	B.01.01.A0001_03	13	1
	B.01.01.A0001_04	13	
	B.01.01.A0001_05	13	
	B01_0_116809	55256228	1
	B01_1_124997	55256228	1
	B01_2_132294	55256228	1
55256757	L.03.01.A0001_02	22	1
	L03_0_117642	55256757	1
	L03_1_132553	55256757	1
55256835	L.03.01.A0001_02	2	1
	L03_0_117642	55256835	1
	L03_1_132553	55256835	1
55256836	L.03.01.A0001_02	1	1
	L03_0_117642	55256836	1
	L03_1_132553	55256836	1
55257313	M.03.02.A0001_02	22	
	M.03.02.A0001_03	22	
	M03_0_117772	55257313	1
	M03_1_132596	55257313	1
55257321	M.03.02.A0001_02	5	
	M.03.02.A0001_03	5	
	M03_0_117772	55257321	1
	M03_1_132596	55257321	1
55257520	S.01.01.A0001_00	19	
55257521	A.02.01.A0001_02	14	1
	A.02.01.A0001_03	13	
	A.02.01.A0001_04	13	



Id	drawing	Pos.	Q.ty
	A02_1_132271	55257521	1
	S.01.01.A0001_00	15	
55257522	A.02.01.A0001_02	12	1
	A.02.01.A0001_03	11	
	A.02.01.A0001_04	11	
	A02_1_132271	55257522	1
	S.01.01.A0001_00	9	
55257621	A.02.01.A0001_02	15	1
	A.02.01.A0001_03	14	
	A.02.01.A0001_04	14	
	A02_0_116791	55257621	1
	A02_1_132271	55257621	1
55257622	A02_0_116791	55257622	1
	A02_1_132271	55257622	1
55257623	A.02.01.A0001_02	16	1
	A.02.01.A0001_03	15	
	A.02.01.A0001_04	15	
	A02_0_116791	55257623	1
	A02_1_132271	55257623	1
552C0029	Q01_1_136416	552C0029	1
552C1001	A.02.01.A0001_03	8	
	A.02.01.A0001_04	8	
56119937	Q01_0_117864	56119937	1
	Q01_1_136416	56119937	1
56137370	Q01_0_117864	56137370	1
	Q01_1_136416	56137370	1
56147520Z	G02_0_117024	56147520Z	1
56147560	M.03.02.A0001_02	24	
	M.03.02.A0001_03	24	

Id	drawing	Pos.	Q.ty
	M03_0_117772	56147560	1
	M03_1_132596	56147560	1
56147574	M.03.02.A0001_02	18	
	M.03.02.A0001_03	18	
	M03_0_117772	56147574	1
	M03_1_132596	56147574	1
56147672	M.03.02.A0001_02	23	
	M.03.02.A0001_03	23	
	M03_0_117772	56147672	1
	M03_1_132596	56147672	1
56148184	I03_0_117280	56148184	1
56148218N	N.02.01.A0001_02	1	1
	N02_0_117821	56148218N	1
	N02_1_132637	56148218N	1
56148287	L.03.01.A0001_02	5	1
	L03_0_117642	56148287	1
	L03_1_132553	56148287	1
56148470N	K.03.01.A0001_02	5	
	K03_0_117558	56148470N	1
	K03_1_132519	56148470N	1
56149590	Q01_0_117864	56149590	1
	Q01_1_136416	56149590	1
56156219Z	I03_0_117280	56156219Z	1
56156224	B.01.01.A0001_03	23	1
	B.01.01.A0001_04	23	
	B.01.01.A0001_05	23	
	B01_0_116809	56156224	1
	B01_1_124997	56156224	1
	B01_2_132294	56156224	1

Id	drawing	Pos.	Q.ty
56156241N	A.02.01.A0001_02	5	1
	A.02.01.A0001_03	4	
	A.02.01.A0001_04	4	
	A02_0_116791	56156241N	1
	A02_1_132271	56156241N	1
56156247	C.01.01.A0001_02	4	
	C01_0_116836	56156247	1
	C01_1_125029	56156247	1
56156276	F.01.01.A0001_02	15	
	F01_0_116936	56156276	1
	F01_1_132354	56156276	1
56156281	F.01.01.A0001_02	8	
	F01_0_116936	56156281	1
	F01_1_132354	56156281	1
56156288Z	E.01.01.A0001_02	3	
	E.01.01.A0001_03	3	
	E01_0_116925	56156288Z	1
	E01_1_132337	56156288Z	1
56156603Z	K.03.01.A0001_02	3	
	K03_0_117558	56156603Z	1
	K03_1_132519	56156603Z	1
56156658	B.01.01.A0001_03	26	1
	B.01.01.A0001_04	26	
	B.01.01.A0001_05	26	
	B01_0_116809	56156658	1
	B01_1_124997	56156658	1
	B01_2_132294	56156658	1
56156743	E.01.01.A0001_03	7	
56156809H	M.03.02.A0001_02	31	



Id	drawing	Pos.	Q.ty
	M.03.02.A0001_03	31	
	M03_0_117772	56156809H	1
	M03_1_132596	56156809H	1
56156827	I03_0_117280	56156827	1
56156828Z	I03_0_117280	56156828Z	1
56156831Z	N.02.01.A0001_02	10	1
	N02_0_117821	56156831Z	1
	N02_1_132637	56156831Z	1
56156832Z	L.03.01.A0001_02	24	1
	L03_0_117642	56156832Z	1
	L03_1_132553	56156832Z	1
56156834Z	L.03.01.A0001_02	12	1
	L03_0_117642	56156834Z	1
	L03_1_132553	56156834Z	1
56156859Z	L.03.01.A0001_02	28	1
	L03_0_117642	56156859Z	1
	L03_1_132553	56156859Z	1
56156874N	K.03.01.A0001_02	18	
	K03_0_117558	56156874N	1
	K03_1_132519	56156874N	1
56156940	J03_0_117488	56156940	1
	J03_1_132497	56156940	1
	J03_2_132500	56156940	1
56156948N	J03_0_117488	56156948N	1
	J03_1_132497	56156948N	1
56156974N	J03_2_132500	56156974	
56157271N	M03_0_117772	56157271N	1
	M03_1_132596	56157271N	1
56157303Z	M.03.02.A0001_02	32	

Id	drawing	Pos.	Q.ty
	M.03.02.A0001_03	32	
	M03_0_117772	56157303Z	1
	M03_1_132596	56157303Z	1
56157324	M.03.02.A0001_02	6	
	M03_0_117772	56157324	1
	M03_1_132596	56157324	1
56157364N	M.03.02.A0001_02	8	
	M.03.02.A0001_03	8	
	M03_0_117772	56157364N	1
	M03_1_132596	56157364N	1
56157387	Q01_0_117864	56157387	1
	Q01_1_136416	56157387	1
56157399	A.02.01.A0001_02	8	1
	A02_0_116791	56157399	1
	A02_1_132271	56157399	1
56157495N	S.01.01.A0001_00	6	
56157498N	S.01.01.A0001_00	4	
56157499N	S.01.01.A0001_00	4	
56157513N	S.01.01.A0001_00	4	
56157515N	S.01.01.A0001_00	1	
56157516N	S.01.01.A0001_00	4	
56157519N	S.01.01.A0001_00	14	
56158943	H.03.02.A0001_02	35	
	H.03.02.A0001_03	35	
	H03_0_117109	56158943	1
	H03_1_132413	56158943	1
561C0078N	S.01.01.A0001_00	17	
561C0095H	A.02.01.A0001_04	19	
561C0096H	A.02.01.A0001_04	19	

Id	drawing	Pos.	Q.ty
561C0421	E.01.01.A0001_03	7	
561C1043Z	M.03.02.A0001_03	6	
56347870Z	E.01.01.A0001_02	15	
	E.01.01.A0001_03	15	
	E01_0_116925	56347870Z	1
	E01_1_132337	56347870Z	1
56347873	E.01.01.A0001_02	14	
	E.01.01.A0001_03	14	
	E01_0_116925	56347873	1
	E01_1_132337	56347873	1
56356184Z	K.03.01.A0001_02	6	
	K03_0_117558	56356184Z	1
	K03_1_132519	56356184Z	1
56356212	C01_0_116836	56356212	1
56356215	C01_0_116836	56356215	1
56356216	C.01.01.A0001_02	2	
	C01_0_116836	56356216	1
	C01_1_125029	56356216	1
56356239	F.01.01.A0001_02	9	
	F01_0_116936	56356239	1
	F01_1_132354	56356239	1
56356240	F.01.01.A0001_02	16	
	F01_0_116936	56356240	1
	F01_1_132354	56356240	1
56356242	B.01.01.A0001_03	28	1
	B.01.01.A0001_04	28	
	B.01.01.A0001_05	28	
	B01_0_116809	56356242	1
	B01_1_124997	56356242	1



Id	drawing	Pos.	Q.ty
	B01_2_132294	56356242	1
56356328	H.03.02.A0001_02	27	
	H.03.02.A0001_03	27	
	H.03.02.A0001_04	27	
	H.03.02.A0001_05	27	
	H03_0_117109	56356328	1
	H03_1_132413	56356328	1
56356329	H.03.02.A0001_02	27	
	H.03.02.A0001_03	27	
	H.03.02.A0001_04	27	
	H.03.02.A0001_05	27	
	H03_0_117109	56356329	1
	H03_1_132413	56356329	1
56356330	H.03.02.A0001_02	27	
	H.03.02.A0001_03	27	
	H.03.02.A0001_04	27	
	H.03.02.A0001_05	27	
	H03_0_117109	56356330	1
	H03_1_132413	56356330	1
56356331	H.03.02.A0001_02	27	
	H.03.02.A0001_03	27	
	H.03.02.A0001_04	27	
	H.03.02.A0001_05	27	
	H03_0_117109	56356331	1
	H03_1_132413	56356331	1
56356348	H.03.02.A0001_02	16	
	H.03.02.A0001_03	16	
	H.03.02.A0001_04	16	
	H.03.02.A0001_05	16	

Id	drawing	Pos.	Q.ty
	H03_0_117109	56356348	1
	H03_1_132413	56356348	1
56356364	B.01.01.A0001_05	2	
56356661	B.01.01.A0001_03	22	1
	B.01.01.A0001_04	22	
	B01_0_116809	56356661	1
	B01_1_124997	56356661	1
	B01_2_132294	56356661	1
56356738Z	M.03.02.A0001_02	38	
	M.03.02.A0001_03	3	
56356747	B.01.01.A0001_05	22	
56356833Z	L.03.01.A0001_02	7	1
	L03_0_117642	56356833Z	1
	L03_1_132553	56356833Z	1
56356840	N.02.01.A0001_02	7	1
	N02_0_117821	56356840	1
	N02_1_132637	56356840	1
56356840Z	L.03.01.A0001_02	19	1
	L03_0_117642	56356840Z	1
	L03_1_132553	56356840Z	1
56356857Z	N.02.01.A0001_02	12	1
	N02_0_117821	56356857Z	1
	N02_1_132637	56356857Z	1
56356858Z	L.03.01.A0001_02	8	1
	L03_0_117642	56356858Z	1
	L03_1_132553	56356858Z	1
56356924	J03_0_117488	56356924	1
	J03_1_132497	56356924	1
	J03_2_132500	56356924	1

Id	drawing	Pos.	Q.ty
56443871	I03_0_117280	56443871	1
56448183	I03_0_117280	56448183	1
56448196	I03_0_117280	56448196	1
56456347	H.03.02.A0001_02	15	
	H.03.02.A0001_03	15	
	H.03.02.A0001_04	15	
	H.03.02.A0001_05	15	
	H03_0_117109	56456347	1
	H03_1_132413	56456347	1
56456351	H03_0_117109	56456351	1
	H03_1_132413	56456351	1
56456476	H.03.02.A0001_02	40	
	H.03.02.A0001_03	40	
	H.03.02.A0001_04	35	
	H.03.02.A0001_05	35	
	H03_0_117109	56456476	1
	H03_1_132413	56456476	1
56456479	H.03.02.A0001_02	40	
	H.03.02.A0001_03	40	
	H.03.02.A0001_04	35	
	H.03.02.A0001_05	35	
	H03_0_117109	56456479	1
	H03_1_132413	56456479	1
56456657	B.01.01.A0001_03	25	1
	B.01.01.A0001_04	25	
	B.01.01.A0001_05	25	
	B01_0_116809	56456657	1
	B01_1_124997	56456657	1
	B01_2_132294	56456657	1



Id	drawing	Pos.	Q.ty
56456736	H.03.02.A0001_02	13	
	H.03.02.A0001_03	13	
	H.03.02.A0001_04	13	
	H.03.02.A0001_05	13	
56458942	H.03.02.A0001_02	36	
	H.03.02.A0001_03	36	
	H03_0_117109	56458942	1
	H03_1_132413	56458942	1
56556213	C.01.01.A0001_02	5	
	C01_0_116836	56556213	1
	C01_1_125029	56556213	1
56556282	E.01.01.A0001_02	7	
	E01_0_116925	56556282	1
	E01_1_132337	56556282	1
58002538	K.03.01.A0001_02	17	
	K03_0_117558	58002538	1
	K03_1_132519	58002538	1
58042111	S.01.01.A0001_00	5	
58042746	P01_0_117834	58042746	1
	P01_1_132651	58042746	1
58043053	G02_0_117024	58043053	1
58043086	H.03.02.A0001_02	18	
	H.03.02.A0001_03	18	
	H.03.02.A0001_04	18	
	H.03.02.A0001_05	18	
	H03_0_117109	58043086	1
	H03_1_132413	58043086	1
58043117	G02_0_117024	58043117	1
58043176	M.03.02.A0001_02	34	

Id	drawing	Pos.	Q.ty
	M.03.02.A0001_03	34	
	M03_0_117772	58043176	1
	M03_1_132596	58043176	1
58043250	P01_0_117834	58043250	1
	P01_1_132651	58043250	1
58043855	I03_0_117280	58043855	1
58043874	I03_0_117280	58043874	1
58043881N	I03_0_117280	58043881N	1
58044804	P01_0_117834	58044804	1
	P01_1_132651	58044804	1
58045804	Q01_0_117864	58045804	1
	Q01_1_136416	58045804	1
58045807	Q01_0_117864	58045807	1
	Q01_1_136416	58045807	1
58047460	Q01_0_117864	58047460	1
	Q01_1_136416	58047460	1
58047671	M.03.02.A0001_02	25	
	M.03.02.A0001_03	25	
	M03_0_117772	58047671	1
	M03_1_132596	58047671	1
58047712	L.03.01.A0001_02	11	1
	L03_0_117642	58047712	1
	L03_1_132553	58047712	1
58048000	K.03.01.A0001_02	7	
	K03_0_117558	58048000	1
	K03_1_132519	58048000	1
58048009	L.03.01.A0001_02	4	1
	L03_0_117642	58048009	1
	L03_1_132553	58048009	1

Id	drawing	Pos.	Q.ty
58048214	N.02.01.A0001_02	3	1
	N02_0_117821	58048214	1
	N02_1_132637	58048214	1
58048215	N.02.01.A0001_02	2	1
	N02_0_117821	58048215	1
	N02_1_132637	58048215	1
58048330	P01_0_117834	58048330	1
	P01_1_132651	58048330	1
58049501	L.03.01.A0001_02	36	1
	L03_0_117642	58049501	1
	L03_1_132553	58049501	1
58049505	L.03.01.A0001_02	36	1
	L03_0_117642	58049505	1
	L03_1_132553	58049505	1
58049541	Q01_0_117864	58049541	1
	Q01_1_136416	58049541	1
58049830	L.03.01.A0001_02	31	1
	L03_0_117642	58049830	1
	L03_1_132553	58049830	1
58050345	K.03.01.A0001_02	25	
	K03_0_117558	58050345	1
	K03_1_132519	58050345	1
58056155	K.03.01.A0001_02	19	
	K03_0_117558	58056155	1
	K03_1_132519	58056155	1
58056186Z	K.03.01.A0001_02	16	
	K03_0_117558	58056186Z	1
	K03_1_132519	58056186Z	1
58056187	K.03.01.A0001_02	15	



Id	drawing	Pos.	Q.ty
	K03_0_117558	58056187	1
	K03_1_132519	58056187	1
58056188	K.03.01.A0001_02	11	
	K03_0_117558	58056188	1
	K03_1_132519	58056188	1
58056192	B01_0_116809	58056192	1
	B01_1_124997	58056192	1
	B01_2_132294	58056192	1
58056208	D.01.01.A0001_02	1	1
	D.01.01.A0001_03	1	
	D01_1_132326	58056208	1
58056221	B.01.01.A0001_03	21	1
	B.01.01.A0001_04	21	
	B.01.01.A0001_05	21	
	B01_0_116809	58056221	1
	B01_1_124997	58056221	1
	B01_2_132294	58056221	1
58056222	B.01.01.A0001_03	12	1
	B.01.01.A0001_04	12	
	B.01.01.A0001_05	12	
	B01_0_116809	58056222	1
	B01_1_124997	58056222	1
	B01_2_132294	58056222	1
58056238	B01_0_116809	58056238	1
58056249	D01_0_116850	58056249	1
58056391	H.03.02.A0001_02	11	
	H.03.02.A0001_03	11	
	H.03.02.A0001_04	11	
	H.03.02.A0001_05	11	

Id	drawing	Pos.	Q.ty
	H03_0_117109	58056391	1
	H03_1_132413	58056391	1
58056593	K.03.01.A0001_02	4	
	K03_0_117558	58056593	1
	K03_1_132519	58056593	1
58056595	K.03.01.A0001_02	12	
	K03_0_117558	58056595	1
	K03_1_132519	58056595	1
	L.03.01.A0001_02	20	1
	L03_0_117642	58056595	1
	L03_1_132553	58056595	1
58056683	B.01.01.A0001_03	27	1
	B.01.01.A0001_04	27	
	B.01.01.A0001_05	27	
58056798Z	B01_0_116809	58056798Z	1
	B01_1_124997	58056798Z	1
58056811	K.03.01.A0001_02	21	
	K03_0_117558	58056811	1
	K03_1_132519	58056811	1
58056812	K.03.01.A0001_02	21	
	K03_0_117558	58056812	1
	K03_1_132519	58056812	1
58056813	K03_0_117558	58056813	1
58056814	L.03.01.A0001_02	36	1
	L03_0_117642	58056814	1
	L03_1_132553	58056814	1
58056816	K.03.01.A0001_02	21	
	K03_1_132519	58056816	1
58056837	L.03.01.A0001_02	3	1

Id	drawing	Pos.	Q.ty
	L03_0_117642	58056837	1
	L03_1_132553	58056837	1
58056838	K.03.01.A0001_02	11	
	K03_0_117558	58056838	1
	K03_1_132519	58056838	1
58056839	K.03.01.A0001_02	15	
	K03_0_117558	58056839	1
	K03_1_132519	58056839	1
58056841	L.03.01.A0001_02	29	1
	L03_0_117642	58056841	1
	L03_1_132553	58056841	1
58056842	K.03.01.A0001_02	10	
	K03_0_117558	58056842	1
	K03_1_132519	58056842	1
58056844	K.03.01.A0001_02	10	
	K03_0_117558	58056844	1
	K03_1_132519	58056844	1
58056845	L.03.01.A0001_02	29	1
	L03_0_117642	58056845	1
	L03_1_132553	58056845	1
58056846	L.03.01.A0001_02	35	1
	L03_0_117642	58056846	1
	L03_1_132553	58056846	1
58056847	L.03.01.A0001_02	30	1
	L03_0_117642	58056847	1
	L03_1_132553	58056847	1
58056848	L.03.01.A0001_02	30	1
	L.03.01.A0001_02	35	1
	L03_0_117642	58056848	1



Id	drawing	Pos.	Q.ty	Id	drawing	Pos.	Q.ty	Id	drawing	Pos.	Q.ty
	L03_1_132553	58056848	1		M03_0_117772	58057232Z	1		R02_1_132700	58057649	1
58056849	L.03.01.A0001_02	29	1		M03_1_132596	58057232Z	1	58057668	R02_0_117906	58057668	1
	L03_0_117642	58056849	1	58057266	A.02.01.A0001_02	4	1		R02_1_132700	58057668	1
	L03_1_132553	58056849	1		A02_0_116791	58057266	1	58057676	R01_0_117889	58057676	1
58056864	R01_0_117889	58056864	1		A02_1_132271	58057266	1	58057677	R01_0_117889	58057677	1
58056866	R01_0_117889	58056866	1	58057337	L.03.01.A0001_02	36	1	58057724	R01_0_117889	58057724	1
58056867	R01_0_117889	58056867	1		L03_1_132553	58057337	1	58057732	R01_0_117889	58057732	1
58056868	R01_0_117889	58056868	1	58057355	K.03.01.A0001_02	21		58057746	R01_0_117889	58057746	1
58056869	R01_0_117889	58056869	1	58057369	K.03.01.A0001_02	23		58057747	R01_0_117889	58057747	1
58056918	J03_0_117488	58056918	1		K03_0_117558	58057369	1	58057748	R01_0_117889	58057748	1
	J03_1_132497	58056918	1		K03_1_132519	58057369	1	58057759	R02_0_117906	58057759	1
	J03_2_132500	58056918	1	58057386	Q01_0_117864	58057386	1		R02_1_132700	58057759	1
	N.02.01.A0001_02	8	1		Q01_1_136416	58057386	1	58057767	R01_0_117889	58057767	1
	N02_0_117821	58056918	1	58057422	K.03.01.A0001_02	23		58057768	R01_0_117889	58057768	1
	N02_1_132637	58056918	1		K03_0_117558	58057422	1	58057837	P01_0_117834	58057837	1
58056942N	J03_0_117488	58056942N	1		K03_1_132519	58057422	1	58058452	R.02.01.A0001_02	3	1
	J03_1_132497	58056942N	1	58057450	R01_0_117889	58057450	1		R.02.01.A0001_03	3	1
	J03_2_132500	58056942N	1	58057451	R01_0_117889	58057451	1	58058453	R.02.01.A0001_02	4	1
58056991	A.02.01.A0001_02	7	1	58057456	R02_0_117906	58057456	1		R.02.01.A0001_03	4	1
	A.02.01.A0001_03	6			R02_1_132700	58057456	1	58058454	R.02.01.A0001_02	5	1
	A.02.01.A0001_04	6		58057610	Q01_0_117864	58057610	1		R.02.01.A0001_03	5	1
	A02_0_116791	58056991	1	58057625	R01_0_117889	58057625	1	58058455	R.02.01.A0001_02	6	1
	A02_1_132271	58056991	1	58057643	R02_0_117906	58057643	1		R.02.01.A0001_03	6	1
	J03_0_117488	58056991	1		R02_1_132700	58057643	1	58058456	R.02.01.A0001_02	7	1
	J03_1_132497	58056991	1	58057647	R02_0_117906	58057647	1		R.02.01.A0001_03	7	1
	J03_2_132500	58056991	1		R02_1_132700	58057647	1	58058457	R.02.01.A0001_02	8	1
	S.01.01.A0001_00	7		58057648	R02_0_117906	58057648	1		R.02.01.A0001_03	8	1
58057232Z	M.03.02.A0001_02	37			R02_1_132700	58057648	1		R02_1_132700	58058457	1
	M.03.02.A0001_03	37		58057649	R02_0_117906	58057649	1	58058484	R.02.01.A0001_03	10	1



Id	drawing	Pos.	Q.ty
58058485	R.02.01.A0001_03	9	1
58093089	R01_0_117889	58093089	1
580C0041	B.01.01.A0001_03	7	1
	B.01.01.A0001_04	7	
	B.01.01.A0001_05	7	
	B01_2_132294	580C0041	1
58135225	Q01_0_117864	58135225	
	Q01_1_136416	58135225	
58147704	K.03.01.A0001_02	20	
	K03_0_117558	58147704	1
	K03_1_132519	58147704	1
58150313	K.03.01.A0001_02	1	
	K03_0_117558	58150313	1
	K03_1_132519	58150313	1
58157405	Q01_0_117864	58157405	1
	Q01_1_136416	58157405	1
58170021	B.01.01.A0001_03	6	1
	B.01.01.A0001_04	6	
	B.01.01.A0001_05	6	
	B01_0_116809	58170021	1
	B01_1_124997	58170021	1
	B01_2_132294	58170021	1
58192769	A.02.01.A0001_04	23	
59048199	I03_0_117280	59048199	1
59048200N	N.02.01.A0001_02	13	1
	N02_0_117821	59048200N	1
	N02_1_132637	59048200N	1
59048208N	N.02.01.A0001_02	4	1
	N02_0_117821	59048208N	1

Id	drawing	Pos.	Q.ty
	N02_1_132637	59048208N	1
59053021H	A.02.01.A0001_04	9	
59053021R	A.02.01.A0001_02	10	1
	A.02.01.A0001_03	9	
	A02_0_116791	59053021R	1
	A02_1_132271	59053021R	1
59056127H	A.02.01.A0001_04	9	
59056127R	A.02.01.A0001_02	10	1
	A.02.01.A0001_03	9	
	A02_0_116791	59056127R	1
	A02_1_132271	59056127R	1
59056225Z	B.01.01.A0001_03	14	1
	B.01.01.A0001_04	14	
	B.01.01.A0001_05	14	
	B01_0_116809	59056225Z	1
	B01_1_124997	59056225Z	1
	B01_2_132294	59056225Z	1
59056230Z	B01_0_116809	59056230Z	1
	B01_1_124997	59056230Z	1
	B01_2_132294	59056230Z	1
59056244	G02_0_117024	59056244	1
59056298Z	B.01.01.A0001_03	18	1
59056365	H03_0_117109	59056365	1
	H03_1_132413	59056365	1
59056383	H.03.02.A0001_02	2	
	H.03.02.A0001_03	2	
	H.03.02.A0001_04	2	
	H.03.02.A0001_05	2	
	H03_0_117109	59056383	1

Id	drawing	Pos.	Q.ty
	H03_1_132413	59056383	1
59056672	G02_0_117024	59056672	1
59056707	H.03.02.A0001_02	4	
	H.03.02.A0001_03	4	
	H.03.02.A0001_04	4	
	H.03.02.A0001_05	4	
	H03_1_132413	59056707	1
59056740Z	M.03.02.A0001_02	35	
	M.03.02.A0001_03	35	
59056748Z	B.01.01.A0001_04	18	
	B.01.01.A0001_05	18	
59056822N	J03_0_117488	59056822N	1
	J03_1_132497	59056822N	1
	J03_2_132500	59056822N	1
59057008	M.03.02.A0001_02	28	
	M.03.02.A0001_03	28	
	M03_0_117772	59057008	1
	M03_1_132596	59057008	1
59057010N	J03_0_117488	59057010N	1
	J03_1_132497	59057010N	1
	J03_2_132500	59057010N	1
59057011N	J03_0_117488	59057011N	1
	J03_1_132497	59057011N	1
	J03_2_132500	59057011N	1
59057300N	M03_0_117772	59057300N	1
	M03_1_132596	59057300N	1
59057317	M.03.02.A0001_02	17	
	M.03.02.A0001_03	17	
	M03_0_117772	59057317	1



Id	drawing	Pos.	Q.ty
	M03_1_132596	59057317	1
59057390	Q01_0_117864	59057390	1
	Q01_1_136416	59057390	1
59057604	Q01_0_117864	59057604	1
	Q01_1_136416	59057604	1
590C0065H	A.02.01.A0001_02	20	1
	A.02.01.A0001_03	19	
590C0075	A02_1_132271	590C0075	1
590C0090H	A.02.01.A0001_04	22	
590C0125N	J03_2_132500	590C0125N	1
590C1040Z	M.03.02.A0001_03	12	
59256035	D.01.01.A0001_02	5	1
	D.01.01.A0001_03	5	
	D01_0_116850	59256035	1
	D01_1_132326	59256035	1
59256036	D.01.01.A0001_02	5	1
	D.01.01.A0001_03	5	
	D01_0_116850	59256036	1
	D01_1_132326	59256036	1
59256037	D.01.01.A0001_02	5	1
	D.01.01.A0001_03	5	
	D01_0_116850	59256037	1
	D01_1_132326	59256037	1
59256038	D.01.01.A0001_02	5	1
	D.01.01.A0001_03	5	
	D01_0_116850	59256038	1
	D01_1_132326	59256038	1
59256039	D.01.01.A0001_02	5	1
	D.01.01.A0001_03	5	

Id	drawing	Pos.	Q.ty
	D01_0_116850	59256039	1
	D01_1_132326	59256039	1
59256178	K.03.01.A0001_02	22	
	K03_0_117558	59256178	1
	K03_1_132519	59256178	1
59256180	L.03.01.A0001_02	15	1
	L03_0_117642	59256180	1
	L03_1_132553	59256180	1
59256200	B.01.01.A0001_03	11	1
	B.01.01.A0001_04	11	
	B01_0_116809	59256200	1
	B01_1_124997	59256200	1
	B01_2_132294	59256200	1
59256693	C.01.01.A0001_02	12	
	C01_1_125029	59256693	1
59256745	B.01.01.A0001_05	11	
59256850	L.03.01.A0001_02	26	1
	L03_0_117642	59256850	1
	L03_1_132553	59256850	1
59257161	K.03.01.A0001_02	22	
	K03_0_117558	59257161	1
	K03_1_132519	59257161	1
59257488	S.01.01.A0001_00	11	
59257517	S.01.01.A0001_00	16	
59257523	S.01.01.A0001_00	16	
592C0080	S.01.01.A0001_00	16	
92242460	P01_0_117834	92242460	1
	P01_1_132651	92242460	1
92242474	P01_0_117834	92242474	1

Id	drawing	Pos.	Q.ty
	P01_1_132651	92242474	1
92243685	P01_0_117834	92243685	1
	P01_1_132651	92243685	1
92243686	P01_0_117834	92243686	1
	P01_1_132651	92243686	1
92248715	P01_0_117834	92248715	1
	P01_1_132651	92248715	1
92248720	P01_0_117834	92248720	1
	P01_1_132651	92248720	1
92249993	P01_0_117834	92249993	1
	P01_1_132651	92249993	
92257779	P01_0_117834	92257779	1
	P01_1_132651	92257779	1
F0803067000	F.01.01.A0001_02	18	
	F01_0_116936	F0803067000	1
	F01_1_132354	F0803067000	1
F0803075500	F.01.01.A0001_02	11	
	F01_0_116936	F0803075500	1
	F01_1_132354	F0803075500	1
F0825500200	Q01_0_117864	F0825500200	1
	Q01_1_136416	F0825500200	1
F0825500210	Q01_0_117864	F0825500210	1
	Q01_1_136416	F0825500210	1
F0825500220	Q01_0_117864	F0825500220	1
	Q01_1_136416	F0825500220	1
F0831193010	M.03.02.A0001_02	3	
	M03_0_117772	F0831193010	1
	M03_1_132596	F0831193010	1
F0844273090	B.01.01.A0001_03	8	1



Id	drawing	Pos.	Q.ty
	B.01.01.A0001_04	8	
	B.01.01.A0001_05	8	
	B01_0_116809	F0844273090	1
	B01_1_124997	F0844273090	1
	B01_2_132294	F0844273090	1

