



**BCS Motor mowers, BCS 2-wheel tractors**

# **ROTARY HOE**

29/04/2021

|  |    |
|--|----|
| AA0004 - ROTARY HOE.....                             | 4  |
| 007_0_2192 - ROTARY HOE CONTROL.....                 | 6  |
| 007_1_2219 - ROTARY HOE CONTROL.....                 | 8  |
| 007_2_2247 - ROTARY HOE CONTROL.....                 | 10 |
| 007_3_2279 - ROTARY HOE CONTROL.....                 | 13 |
| 007_4_2309 - ROTARY HOE CONTROL.....                 | 15 |
| 007_5_150985 - ROTARY HOE CONTROL.....               | 18 |
| 07.03.A0001_06 - ROTARY HOE CONTROL.....             | 21 |
| 07.03.A0001_07 - ROTARY HOE CONTROL.....             | 24 |
| 07.03.A0001_08 - ROTARY HOE CONTROL.....             | 27 |
| 07A_0_4950 - ROTARY HOE CONTROL (746).....           | 30 |
| 07A_1_57488 - ROTARY HOE CONTROL (746).....          | 32 |
| 07A_2_136129 - ROTARY HOE CONTROL.....               | 34 |
| 07A.03.A0001_03 - ROTARY HOE CONTROL.....            | 36 |
| 07A.03.A0001_04 - ROTARY HOE CONTROL.....            | 38 |
| 07B_0_141122 - ROTARY HOE CONTROL.....               | 40 |
| 07B.03.A0001_01 - ROTARY HOE CONTROL (85 LIGHT)..... | 43 |
| 07B.03.A0001_02 - ROTARY HOE CONTROL (85 LIGHT)..... | 46 |
| 07B.03.A0001_03 - ROTARY HOE CONTROL (85 LIGHT)..... | 49 |
| 07B.03.A0001_04 - ROTARY HOE CONTROL (85 LIGHT)..... | 52 |
| 07B.03.A0001_05 - ROTARY HOE CONTROL (85 LIGHT)..... | 55 |
| 008_0_2341 - ROTARY HOE KNIVES.....                  | 58 |
| 008_1_2362 - ROTARY HOE KNIVES.....                  | 60 |
| 008_2_2383 - ROTARY HOE KNIVES.....                  | 62 |
| 008_3_2410 - ROTARY HOE KNIVES.....                  | 64 |
| 08.03.A0001_04 - ROTARY HOE KNIVES.....              | 66 |
| 08A_0_4977 - ROTARY HOE KNIVES (746).....            | 68 |
| 08B_0_136159 - ROTARY HOE KNIVES.....                | 70 |
| 08C_0_141156 - ROTARY HOE KNIVES.....                | 72 |



|   |    |
|---|----|
| 009_0_2437 - ROT.CULTIV. BONNET.....                        | 74 |
| 009_1_2465 - ROT.CULTIV. BONNET.....                        | 76 |
| 009_2_2495 - ROT.CULTIV. BONNET.....                        | 78 |
| 009_3_2497 - ROT.CULTIV. BONNET.....                        | 80 |
| 09A_0_5001 - ROTARY HOE COVER (746).....                    | 82 |
| 09B_0_136178 - ROTARY HOOD.....                             | 84 |
| 09B_1_141187 - ROTARY HOE HOOD.....                         | 86 |
| 09B.03.A0001_02 - ROTARY HOE HOOD.....                      | 88 |
| 09C_0_136199 - CENTRAL KNIFE ADJUSTMENTS.....               | 90 |
| 09C_1_141229 - CENTRAL KNIFE ADJUSTMENTS.....               | 92 |
| 071.03.A0001_00 - PRECISION DEPTH ROLLER - CM 66_CM 80..... | 94 |
| Components index.....                                       | 97 |

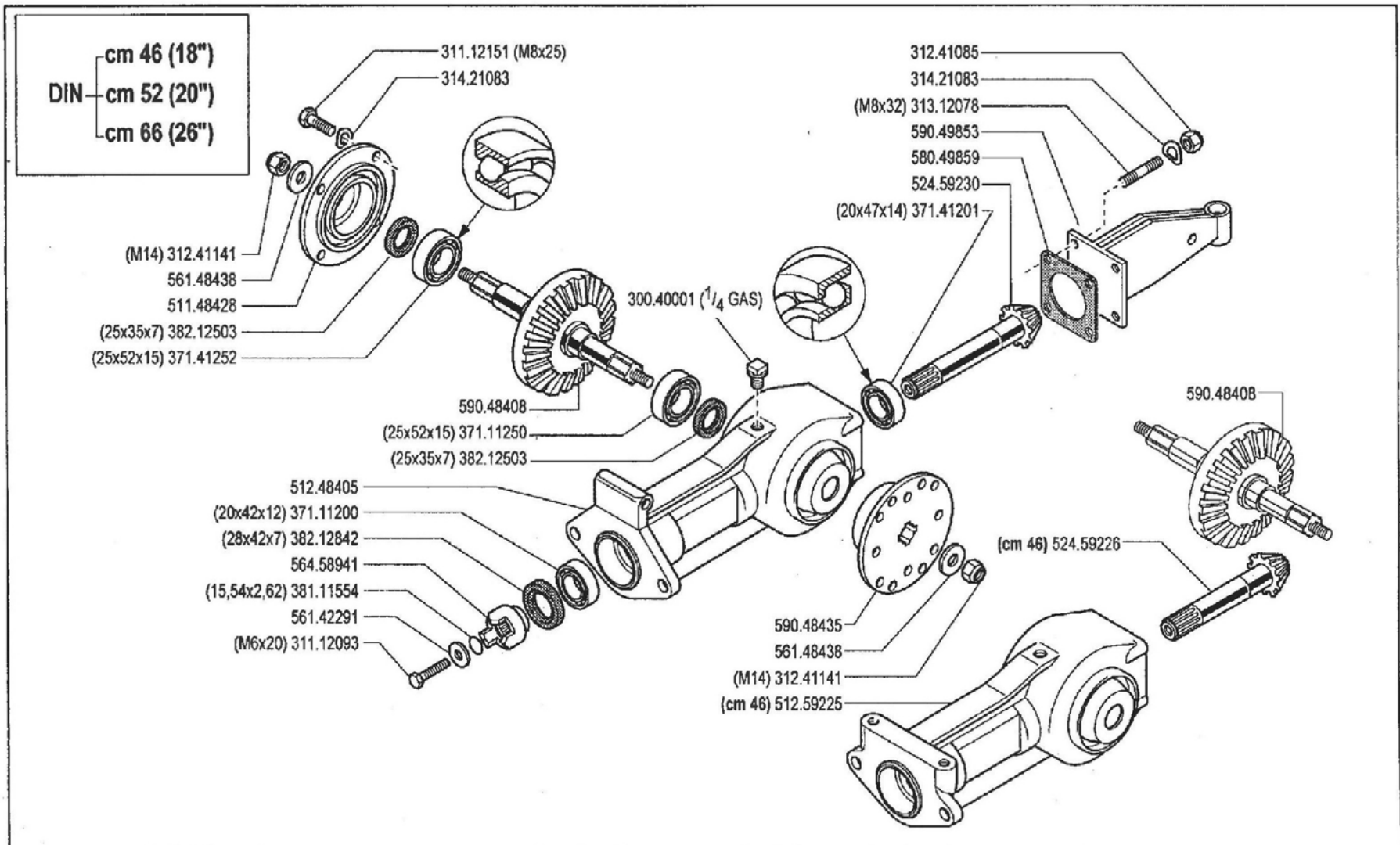


| Pos. | Id              | Q.ty | Description                   | Note |
|------|-----------------|------|-------------------------------|------|
| 0    | 007_0_2192      |      | ROTARY HOE CONTROL            |      |
| 0    | 007_1_2219      |      | ROTARY HOE CONTROL            |      |
| 0    | 007_2_2247      |      | ROTARY HOE CONTROL            |      |
| 0    | 007_3_2279      |      | ROTARY HOE CONTROL            |      |
| 0    | 007_4_2309      |      | ROTARY HOE CONTROL            |      |
| 0    | 007_5_150985    |      | ROTARY HOE CONTROL            |      |
| 0    | 07.03.A0001_06  |      | ROTARY HOE CONTROL            |      |
| 0    | 07.03.A0001_07  |      | ROTARY HOE CONTROL            |      |
| 0    | 07.03.A0001_08  |      | ROTARY HOE CONTROL            |      |
| 0    | 07A_0_4950      |      | ROTARY HOE CONTROL (746)      |      |
| 0    | 07A_1_57488     |      | ROTARY HOE CONTROL (746)      |      |
| 0    | 07A_2_136129    |      | ROTARY HOE CONTROL            |      |
| 0    | 07A.03.A0001_03 |      | ROTARY HOE CONTROL            |      |
| 0    | 07A.03.A0001_04 |      | ROTARY HOE CONTROL            |      |
| 0    | 07B_0_141122    |      | ROTARY HOE CONTROL            |      |
| 0    | 07B.03.A0001_01 |      | ROTARY HOE CONTROL (85 LIGHT) |      |
| 0    | 07B.03.A0001_02 |      | ROTARY HOE CONTROL (85 LIGHT) |      |
| 0    | 07B.03.A0001_03 |      | ROTARY HOE CONTROL (85 LIGHT) |      |
| 0    | 07B.03.A0001_04 |      | ROTARY HOE CONTROL (85 LIGHT) |      |
| 0    | 07B.03.A0001_05 |      | ROTARY HOE CONTROL (85 LIGHT) |      |
| 0    | 008_0_2341      |      | ROTARY HOE KNIVES             |      |
| 0    | 008_1_2362      |      | ROTARY HOE KNIVES             |      |
| 0    | 008_2_2383      |      | ROTARY HOE KNIVES             |      |
| 0    | 008_3_2410      |      | ROTARY HOE KNIVES             |      |
| 0    | 08.03.A0001_04  |      | ROTARY HOE KNIVES             |      |
| 0    | 08A_0_4977      |      | ROTARY HOE KNIVES (746)       |      |
| 0    | 08B_0_136159    |      | ROTARY HOE KNIVES             |      |
| 0    | 08C_0_141156    |      | ROTARY HOE KNIVES             |      |
| 0    | 009_0_2437      |      | ROT.CULTIV. BONNET            |      |



| Pos. | Id              | Q.ty | Description                          | Note |
|------|-----------------|------|--------------------------------------|------|
| 0    | 009_1_2465      |      | ROT.CULTIV. BONNET                   |      |
| 0    | 009_2_2495      |      | ROT.CULTIV. BONNET                   |      |
| 0    | 009_3_2497      |      | ROT.CULTIV. BONNET                   |      |
| 0    | 09A_0_5001      |      | ROTARY HOE COVER (746)               |      |
| 0    | 09B_0_136178    |      | ROTARY HOOD                          |      |
| 0    | 09B_1_141187    |      | ROTARY HOE HOOD                      |      |
| 0    | 09B.03.A0001_02 |      | ROTARY HOE HOOD                      |      |
| 0    | 09C_0_136199    |      | CENTRAL KNIFE ADJUSTMENTS            |      |
| 0    | 09C_1_141229    |      | CENTRAL KNIFE ADJUSTMENTS            |      |
| 0    | 071.03.A0001_00 |      | PRECISION DEPTH ROLLER - CM 66_CM 80 |      |





**ATTREZZI ED ACCESSORI**  
 IMPLEMENTS AND ACCESSORIES  
 OUTILS ET ACCESSOIRES  
 APEROS Y ACCESORIOS  
 ARBEITSGERÄTE UND ZUBEHÖR

**600/700** serie **94**

**COMANDO FRESA**

MANDO FRESADORA  
 COMMANDE FRAISE

ROTARY HOE CONTROL  
 FRÄSERANTRIEB

DALL'ATTEZZO  
 DESDE EL APERO  
 DE L'OUTIL  
 FROM IMPLEMENT  
 AB ARBEITSGERÄET

N.

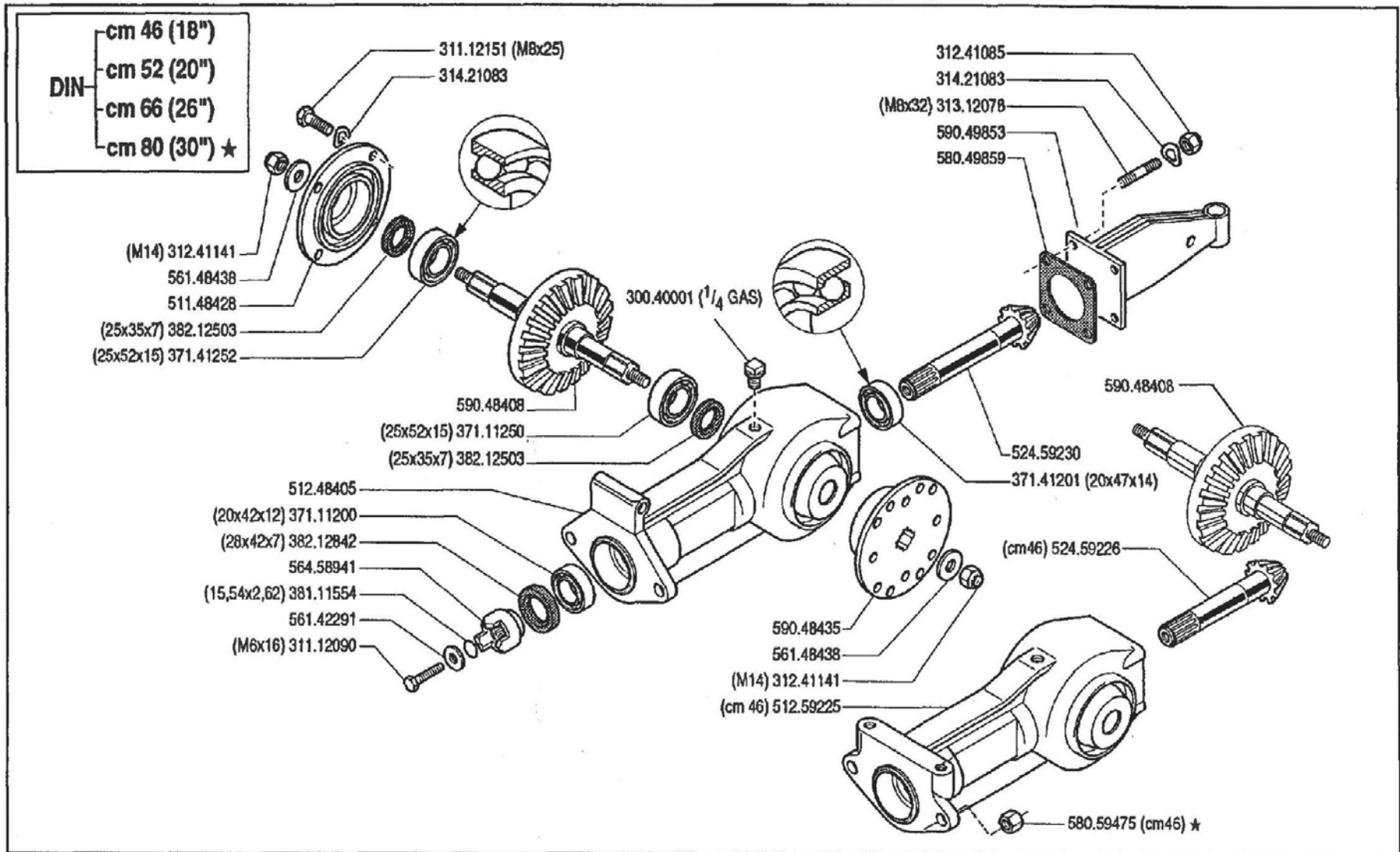
**07.00**

02.05.1994



| Pos.     | Id       | Q.ty | Description                | Note |
|----------|----------|------|----------------------------|------|
| 30040001 | 30040001 |      | PLUG 1/4 UNI 364           |      |
| 31112093 | 31112093 |      | SCREW TE M6X20             |      |
| 31112151 | 31112151 |      | SCREW TE M8X25 UNI 5739 8G |      |
| 31241085 | 31241085 |      | SELFLOCK NUT M8 6S         |      |
| 31241141 | 31241141 |      | SELFLOCK NUT M14 6S        |      |
| 31312078 | 31312078 |      | STUD BOLT M8X32X14X14      |      |
| 31421083 | 31421083 |      | WASHER                     |      |
| 37111200 | 37111200 |      | BEARING 6004 (20X42X12)    |      |
| 37111250 | 37111250 |      | BEARING                    |      |
| 37141201 | 37141201 |      | BEARING 7204-B (20X47X14)  |      |
| 37141252 | 37141252 |      | BEARING 7205-B (25X52X15)  |      |
| 38111554 | 38111554 |      | O-RING 3062 (15,54X2,62)   |      |
| 38212503 | 38212503 |      | OIL SEAL 25x35/7           |      |
| 38212842 | 38212842 |      | OIL SEAL 28X42X7           |      |
| 51148428 | 51148428 |      | FLANGE 25                  |      |
| 51248405 | 51248405 |      | BODY                       |      |
| 51259225 | 51259225 |      | BODY                       |      |
| 52459226 | 52459226 |      | BEVEL PINION Z=8x146       |      |
| 52459230 | 52459230 |      | BEVEL PINION Z8x185        |      |
| 56142291 | 56142291 |      | WASHER 7,0x25/4            |      |
| 56148438 | 56148438 |      | WASHER 15,0x31/5           |      |
| 56458941 | 56458941 |      | COUPLING D=20              |      |
| 58049859 | 58049859 |      | GASKET                     |      |
| 59048408 | 59048408 |      | GEARWHEELSHAFT Z=27        |      |
| 59048435 | 59048435 |      | FLANGE                     |      |
| 59049853 | 59049853 |      | REAR COVER                 |      |





ATTREZZI ED ACCESSORI  
IMPLEMENTS AND ACCESSORIES  
OUTILS ET ACCESSOIRES  
APEROS Y ACCESORIOS  
ARBEITSGERÄTE UND ZUBEHÖR

**600/700** serie 94

**COMANDO FRESA**

MANDO FRESADORA  
COMMANDE FRAISE

ROTARY HOE CONTROL  
FRÄSERANTRIEB

DALL'ATTREZZO  
DESDE EL APERO  
DE L'OUTIL  
FROM IMPLEMENT  
AB ARBEITSGERÄET

|               |      |
|---------------|------|
| AGGIORNAMENTO | ★ N. |
| REVISION      |      |
| MISE A JOUR   |      |
| APLAZAMIENTO  |      |
| ANPASSUNG     |      |

**07.01**

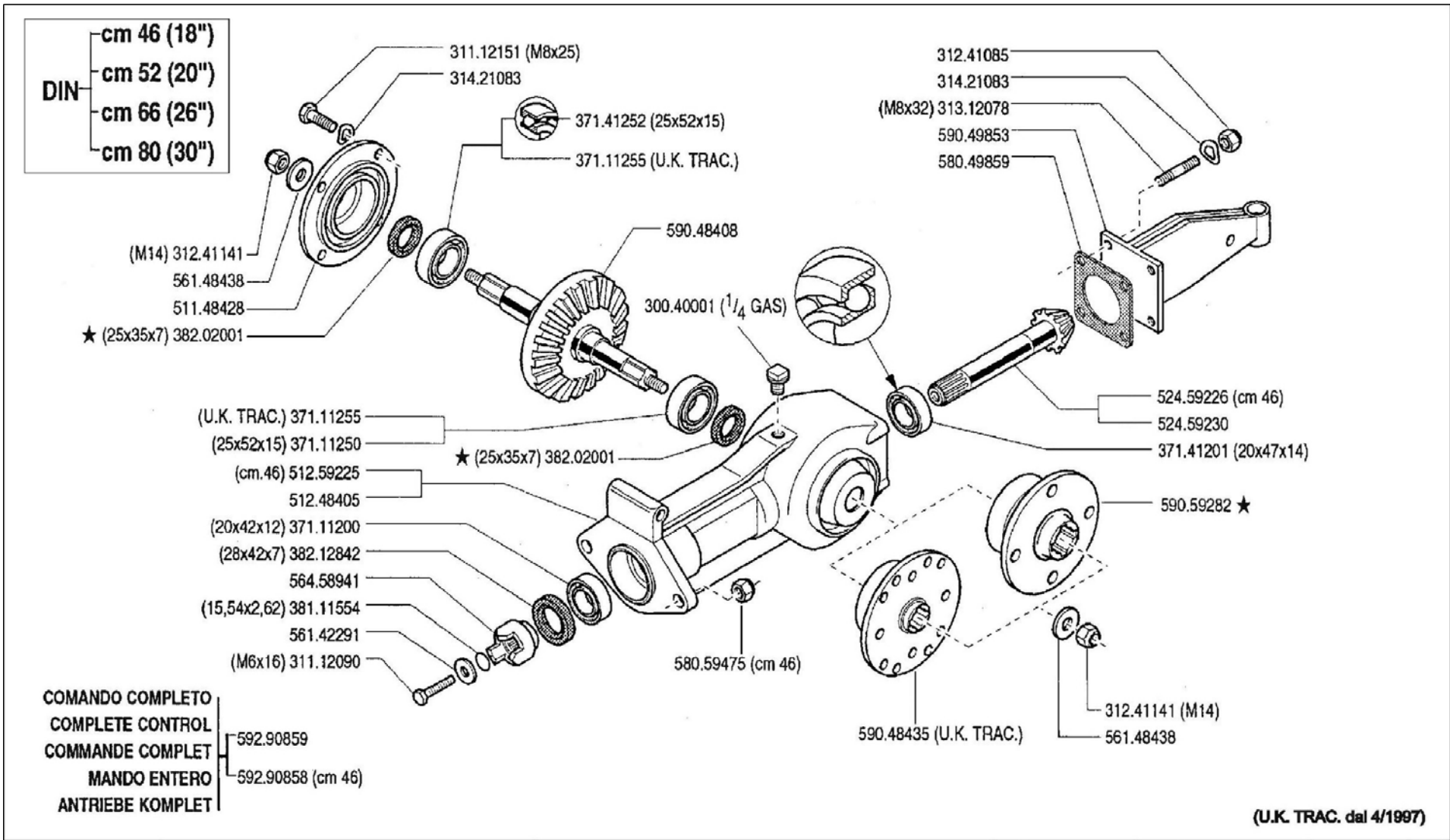
**01.01.1996**





| Pos.     | Id       | Q.ty | Description                | Note |
|----------|----------|------|----------------------------|------|
| 30040001 | 30040001 |      | PLUG 1/4 UNI 364           |      |
| 31112090 | 31112090 |      | SCREW TE M6X16 UNI 5739 8G |      |
| 31112151 | 31112151 |      | SCREW TE M8X25 UNI 5739 8G |      |
| 31241085 | 31241085 |      | SELFLOCK NUT M8 6S         |      |
| 31241141 | 31241141 |      | SELFLOCK NUT M14 6S        |      |
| 31312078 | 31312078 |      | STUD BOLT M8X32X14X14      |      |
| 31421083 | 31421083 |      | WASHER                     |      |
| 37111200 | 37111200 |      | BEARING 6004 (20X42X12)    |      |
| 37111250 | 37111250 |      | BEARING                    |      |
| 37141201 | 37141201 |      | BEARING 7204-B (20X47X14)  |      |
| 37141252 | 37141252 |      | BEARING 7205-B (25X52X15)  |      |
| 38111554 | 38111554 |      | O-RING 3062 (15,54X2,62)   |      |
| 38212503 | 38212503 |      | OIL SEAL 25x35/7           |      |
| 38212842 | 38212842 |      | OIL SEAL 28X42X7           |      |
| 51148428 | 51148428 |      | FLANGE 25                  |      |
| 51248405 | 51248405 |      | BODY                       |      |
| 51259225 | 51259225 |      | BODY                       |      |
| 52459226 | 52459226 |      | BEVEL PINION Z=8x146       |      |
| 52459230 | 52459230 |      | BEVEL PINION Z8x185        |      |
| 56142291 | 56142291 |      | WASHER 7,0x25/4            |      |
| 56148438 | 56148438 |      | WASHER 15,0x31/5           |      |
| 56458941 | 56458941 |      | COUPLING D=20              |      |
| 58049859 | 58049859 |      | GASKET                     |      |
| 58059475 | 58059475 |      | SPECIAL NUT M12X1,25       |      |
| 59048408 | 59048408 |      | GEARWHEELSHAFT Z=27        |      |
| 59048435 | 59048435 |      | FLANGE                     |      |
| 59049853 | 59049853 |      | REAR COVER                 |      |





|   |   |                         |                      |  |   |               |           |                  |
|---|---|-------------------------|----------------------|--|---|---------------|-----------|------------------|
|   | <b>ATTREZZI ED ACCESSORI</b><br>IMPLEMENTS AND ACCESSORIES<br>OUTILS ET ACCESSOIRES<br>APEROS Y ACCESORIOS<br>ARBEITSGERÄTE UND ZUBEHÖR | <b>600/700 serie 94</b> | <b>COMANDO FRESA</b> |  | DALL' ATREZZO<br>DESDE EL AFERC<br>DE L' OUTIL<br>FROM VÖLLENT<br>AB ARBEITSGERÄT | AGGIORNAMENTO | <b>07</b> | Mod<br><b>02</b> |
|   | REVISION  |                         |                      |  |   |               |           |                  |
|   | MISE A JOUR   |                         |                      |  |   |               |           |                  |
|   | APLAZAMIENTO  |                         |                      |  |   |               |           |                  |
|   | ANPASSUNG   |                         | <b>10/1997</b>       |  |   |               |           |                  |
| ROTARY HOE CONTROL<br>MANDO FRESADORA<br>COMMANDE FRAISE<br>FRÄSERANTRIEB |   |                         |                      |  | ★ N.  |               |           |                  |



| Pos.     | Id       | Q.ty | Description                | Note |
|----------|----------|------|----------------------------|------|
| 30040001 | 30040001 |      | PLUG 1/4 UNI 364           |      |
| 31112090 | 31112090 |      | SCREW TE M6X16 UNI 5739 8G |      |
| 31112151 | 31112151 |      | SCREW TE M8X25 UNI 5739 8G |      |
| 31241085 | 31241085 |      | SELFLOCK NUT M8 6S         |      |
| 31241141 | 31241141 |      | SELFLOCK NUT M14 6S        |      |
| 31312078 | 31312078 |      | STUD BOLT M8X32X14X14      |      |
| 31421083 | 31421083 |      | WASHER                     |      |
| 37111200 | 37111200 |      | BEARING 6004 (20X42X12)    |      |
| 37111250 | 37111250 |      | BEARING                    |      |
| 37111255 | 37111255 |      | BEARING 6205 (25X52X15)    |      |
| 37141201 | 37141201 |      | BEARING 7204-B (20X47X14)  |      |
| 37141252 | 37141252 |      | BEARING 7205-B (25X52X15)  |      |
| 38111554 | 38111554 |      | O-RING 3062 (15,54X2,62)   |      |
| 38202001 | 38202001 |      | OIL SEAL 25X35X7           |      |
| 38212842 | 38212842 |      | OIL SEAL 28X42X7           |      |
| 51148428 | 51148428 |      | FLANGE 25                  |      |
| 51248405 | 51248405 |      | BODY                       |      |
| 51259225 | 51259225 |      | BODY                       |      |
| 52459226 | 52459226 |      | BEVEL PINION Z=8x146       |      |
| 52459230 | 52459230 |      | BEVEL PINION Z8x185        |      |
| 56142291 | 56142291 |      | WASHER 7,0x25/4            |      |
| 56148438 | 56148438 |      | WASHER 15,0x31/5           |      |
| 56458941 | 56458941 |      | COUPLING D=20              |      |
| 58049859 | 58049859 |      | GASKET                     |      |
| 58059475 | 58059475 |      | SPECIAL NUT M12X1,25       |      |
| 59048408 | 59048408 |      | GEARWHEELSHAFT Z=27        |      |
| 59048435 | 59048435 |      | FLANGE                     |      |
| 59049853 | 59049853 |      | REAR COVER                 |      |
| 59059282 | 59059282 |      | FLANGE                     |      |

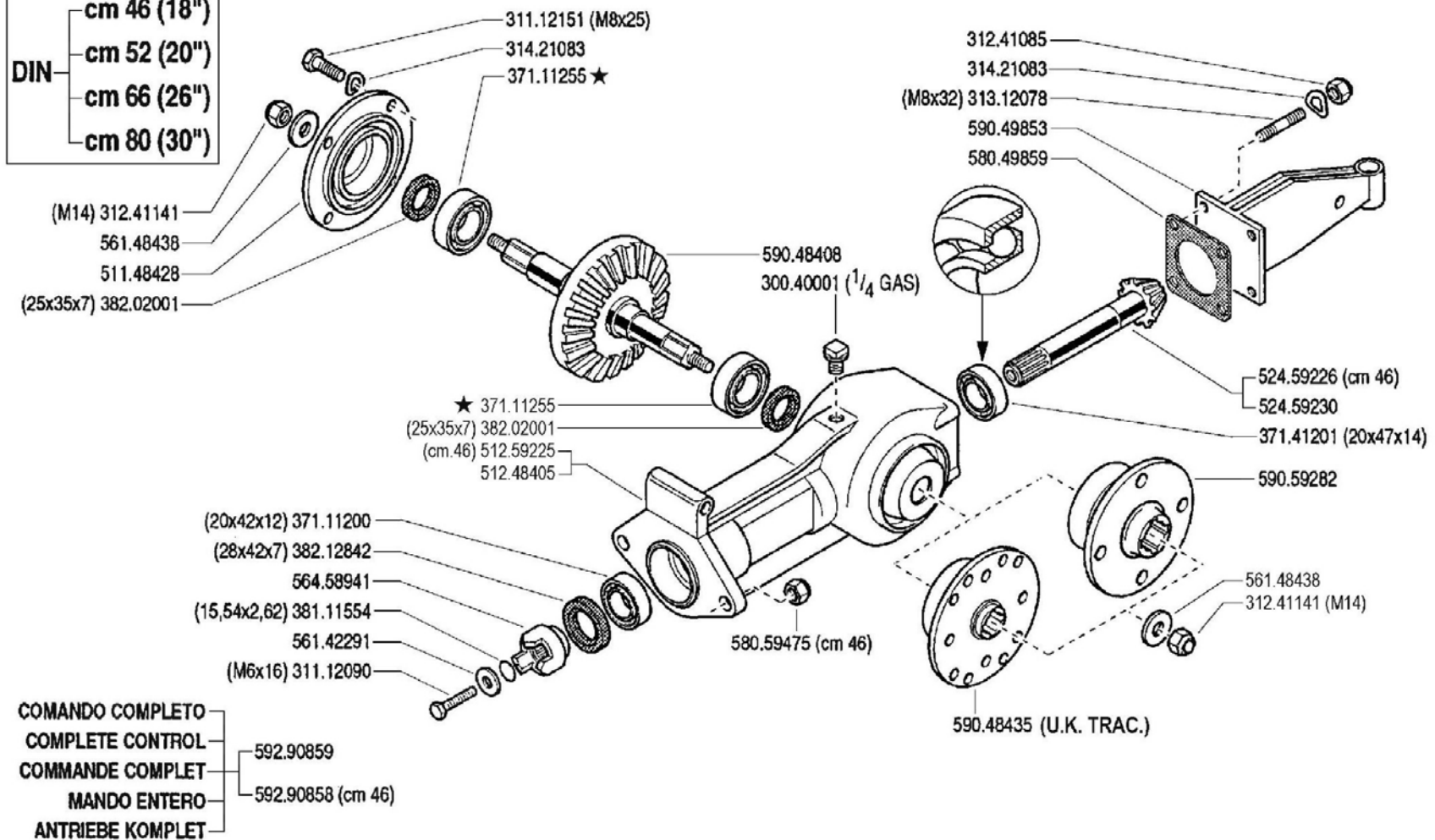


| Pos.     | Id       | Q.ty | Description  | Note |
|----------|----------|------|--------------|------|
| 59290858 | 59290858 |      | CONTROL GRP. |      |
| 59290859 | 59290859 |      | CONTROL GRP. |      |



DIN

- cm 46 (18")
- cm 52 (20")
- cm 66 (26")
- cm 80 (30")



ATTREZZI ED ACCESSORI  
 IMPLEMENTS AND ACCESSORIES  
 OUTILS ET ACCESSOIRES  
 APEROS Y ACCESORIOS  
 ARBEITSGERÄTE UND ZUBEHÖR

600/700 serie 94

COMANDO FRESA

ROTARY HOE CONTROL  
 MANDO FRESADORA

COMMANDE FRAISE  
 FRÄSERANTRIEB

DA L'ATTREZZO  
 DESDE EL APERO  
 DE L'OUTIL  
 FROM IMPLEMENT  
 AB ARBEITSGERÄT

★N.

77651

07

Rev  
 3

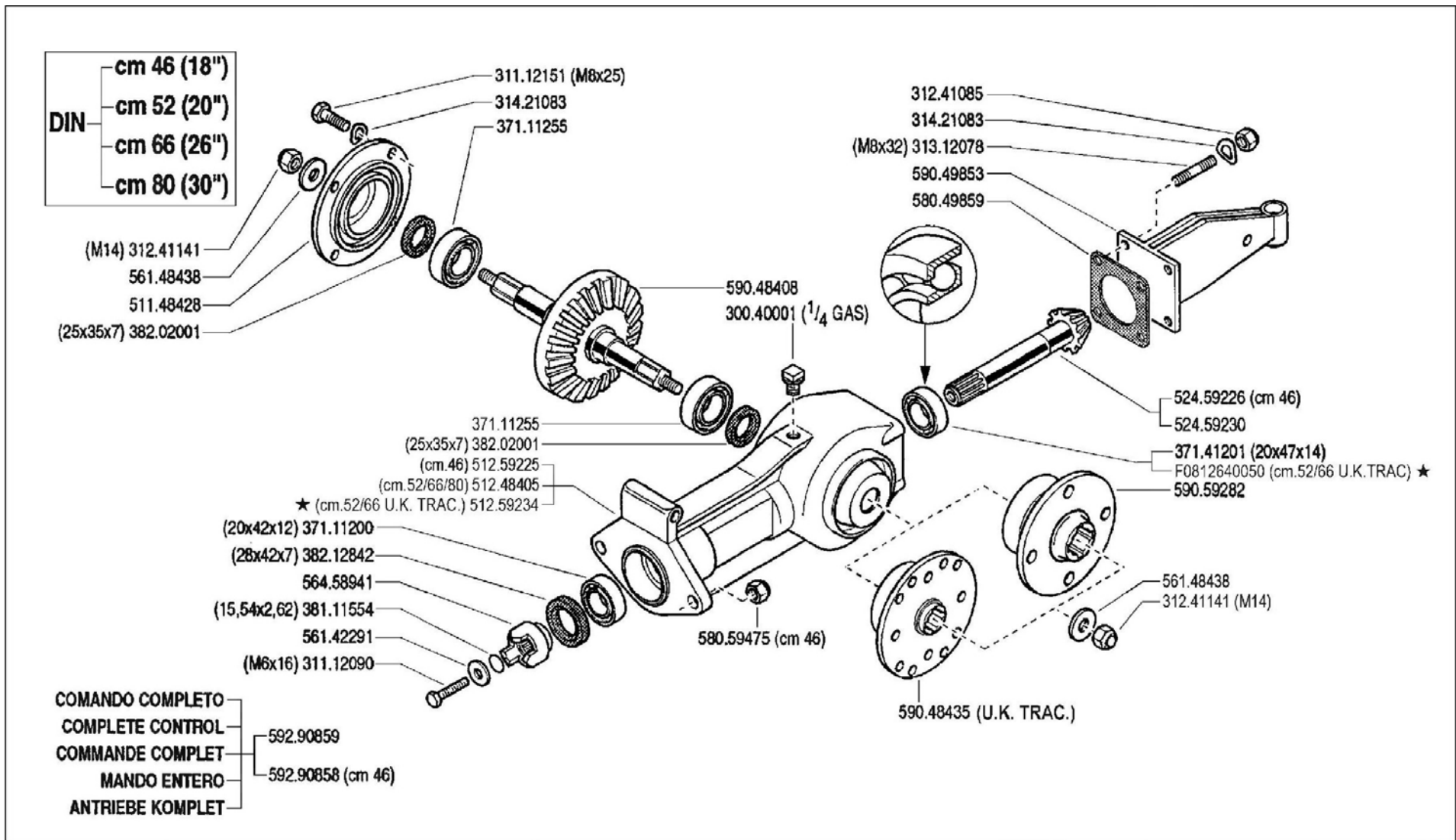
10/2001

ZENNE



| Pos.     | Id       | Q.ty | Description                | Note |
|----------|----------|------|----------------------------|------|
| 30040001 | 30040001 |      | PLUG 1/4 UNI 364           |      |
| 31112090 | 31112090 |      | SCREW TE M6X16 UNI 5739 8G |      |
| 31112151 | 31112151 |      | SCREW TE M8X25 UNI 5739 8G |      |
| 31241085 | 31241085 |      | SELFLOCK NUT M8 6S         |      |
| 31241141 | 31241141 |      | SELFLOCK NUT M14 6S        |      |
| 31312078 | 31312078 |      | STUD BOLT M8X32X14X14      |      |
| 31421083 | 31421083 |      | WASHER                     |      |
| 37111200 | 37111200 |      | BEARING 6004 (20X42X12)    |      |
| 37111255 | 37111255 |      | BEARING 6205 (25X52X15)    |      |
| 37141201 | 37141201 |      | BEARING 7204-B (20X47X14)  |      |
| 38111554 | 38111554 |      | O-RING 3062 (15,54X2,62)   |      |
| 38202001 | 38202001 |      | OIL SEAL 25X35X7           |      |
| 38212842 | 38212842 |      | OIL SEAL 28X42X7           |      |
| 51148428 | 51148428 |      | FLANGE 25                  |      |
| 51248405 | 51248405 |      | BODY                       |      |
| 51259225 | 51259225 |      | BODY                       |      |
| 52459226 | 52459226 |      | BEVEL PINION Z=8x146       |      |
| 52459230 | 52459230 |      | BEVEL PINION Z8x185        |      |
| 56142291 | 56142291 |      | WASHER 7,0x25/4            |      |
| 56148438 | 56148438 |      | WASHER 15,0x31/5           |      |
| 56458941 | 56458941 |      | COUPLING D=20              |      |
| 58049859 | 58049859 |      | GASKET                     |      |
| 58059475 | 58059475 |      | SPECIAL NUT M12X1,25       |      |
| 59048408 | 59048408 |      | GEARWHEELSHAFT Z=27        |      |
| 59048435 | 59048435 |      | FLANGE                     |      |
| 59049853 | 59049853 |      | REAR COVER                 |      |
| 59059282 | 59059282 |      | FLANGE                     |      |
| 59290858 | 59290858 |      | CONTROL GRP.               |      |
| 59290859 | 59290859 |      | CONTROL GRP.               |      |





|  |   |                         |                                       |                                  |  |                              |
|--|---|-------------------------|---------------------------------------|----------------------------------|--|------------------------------|
|  | <b>ATTREZZI ED ACCESSORI</b><br>IMPLEMENTS AND ACCESSORIES<br>OUTILS ET ACCESSOIRES<br>APEROS Y ACCESORIOS<br>ARBEITSGERÄTE UND ZUBEHÖR | <b>600/700 serie 94</b> | <b>COMANDO FRESA</b>                  |                                  | DA L'ATTREZZO<br>DESDE EL APERO<br>DE L'OUTIL<br>FROM IMPLEMENT<br>AB ARBEITSGERÄT | Rev<br><b>07</b><br><b>4</b> |
|  |   |                         | ROTARY HOE CONTROL<br>MANDO FRESADORA | COMMANDE FRAISE<br>FRÄSERANTRIEB |  |                              |



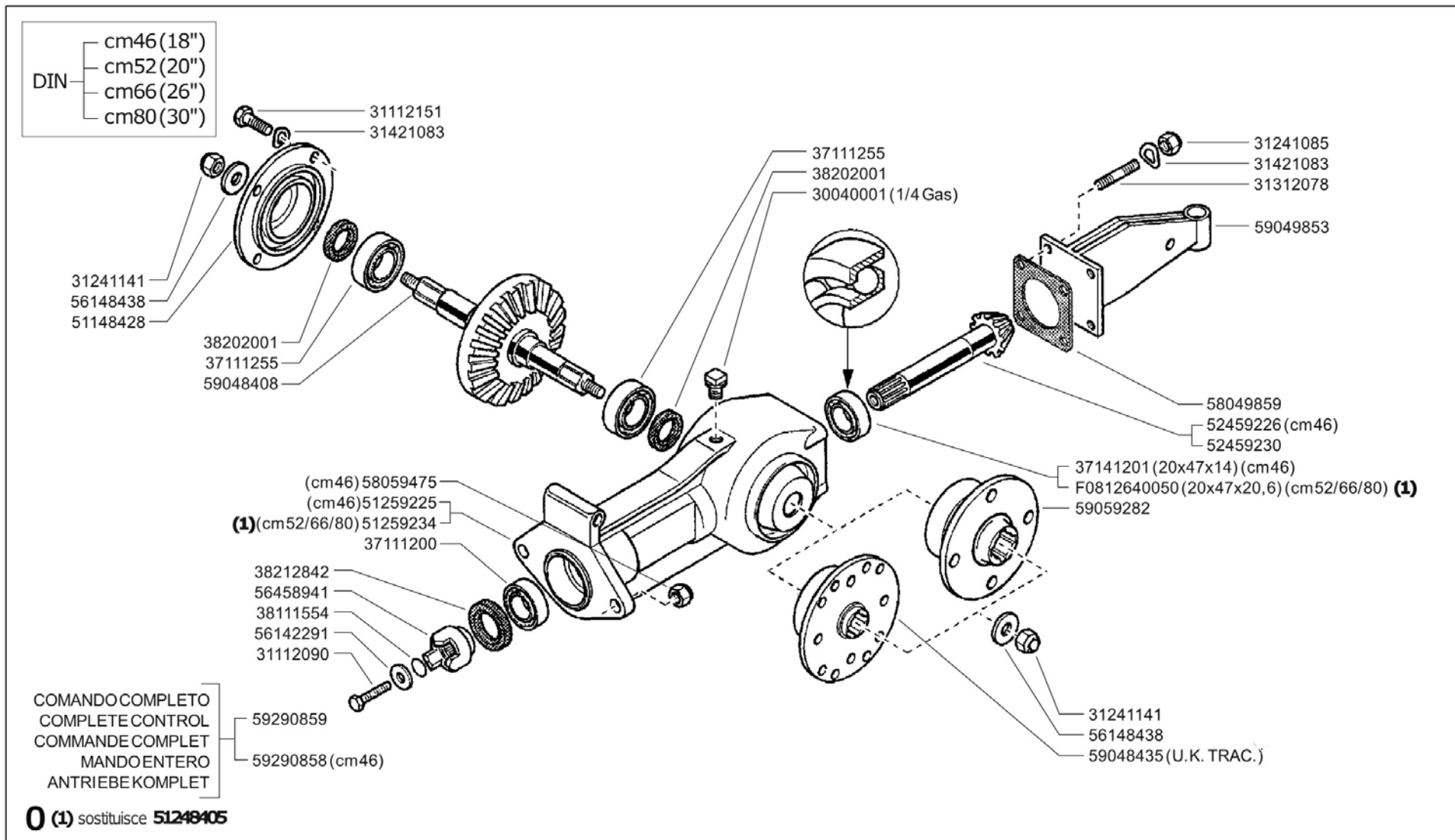
| Pos.     | Id       | Q.ty | Description                | Note |
|----------|----------|------|----------------------------|------|
| 30040001 | 30040001 |      | PLUG 1/4 UNI 364           |      |
| 31112090 | 31112090 |      | SCREW TE M6X16 UNI 5739 8G |      |
| 31112151 | 31112151 |      | SCREW TE M8X25 UNI 5739 8G |      |
| 31241085 | 31241085 |      | SELFLOCK NUT M8 6S         |      |
| 31241141 | 31241141 |      | SELFLOCK NUT M14 6S        |      |
| 31312078 | 31312078 |      | STUD BOLT M8X32X14X14      |      |
| 31421083 | 31421083 |      | WASHER                     |      |
| 37111200 | 37111200 |      | BEARING 6004 (20X42X12)    |      |
| 37111255 | 37111255 |      | BEARING 6205 (25X52X15)    |      |
| 37141201 | 37141201 |      | BEARING 7204-B (20X47X14)  |      |
| 38111554 | 38111554 |      | O-RING 3062 (15,54X2,62)   |      |
| 38202001 | 38202001 |      | OIL SEAL 25X35X7           |      |
| 38212842 | 38212842 |      | OIL SEAL 28X42X7           |      |
| 51148428 | 51148428 |      | FLANGE 25                  |      |
| 51248405 | 51248405 |      | BODY                       |      |
| 51259225 | 51259225 |      | BODY                       |      |
| 51259234 | 51259234 |      | BODY                       |      |
| 52459226 | 52459226 |      | BEVEL PINION Z=8x146       |      |
| 52459230 | 52459230 |      | BEVEL PINION Z8x185        |      |
| 56142291 | 56142291 |      | WASHER 7,0x25/4            |      |
| 56148438 | 56148438 |      | WASHER 15,0x31/5           |      |
| 56458941 | 56458941 |      | COUPLING D=20              |      |
| 58049859 | 58049859 |      | GASKET                     |      |
| 58059475 | 58059475 |      | SPECIAL NUT M12X1,25       |      |
| 59048408 | 59048408 |      | GEARWHEELSHAFT Z=27        |      |
| 59048435 | 59048435 |      | FLANGE                     |      |
| 59049853 | 59049853 |      | REAR COVER                 |      |
| 59059282 | 59059282 |      | FLANGE                     |      |
| 59290858 | 59290858 |      | CONTROL GRP.               |      |






| Pos.        | Id          | Q.ty | Description                | Note |
|-------------|-------------|------|----------------------------|------|
| 59290859    | 59290859    |      | CONTROL GRP.               |      |
| F0812640050 | F0812640050 |      | BEARING 3204 (20x47x20,60) |      |





|   |  |                         |                                       |                                  |  |                               |
|---|--|-------------------------|---------------------------------------|----------------------------------|--|-------------------------------|
|  | <b>ATTREZZI E ACCESSORI</b><br>IMPLEMENTS AND ACCESSORIES<br>OUTILS ET ACCESSOIRES<br>APEROS Y ACCESORIOS<br>ARBEITSGERÄTE UND ZUBEHÖR | <b>600/700 serie 94</b> | <b>COMANDO FRESA</b>                  |                                  | DALL'ATTREZZO<br>DESDE EL APERO<br>DE L'OUTIL<br>FROM IMPLEMENT<br>AB ARBEITSGERÄT | Rev.<br><b>07</b><br><b>5</b> |
|   |  |                         | ROTARY HOE CONTROL<br>MANDO FRESADORA | COMMANDE FRAISE<br>FRÄSERANTRIEB |  |                               |



BCS Motor mowers, BCS 2-wheel tractors - ROTARY HOE

**007\_5\_150985 - ROTARY HOE CONTROL**

29/04/2021

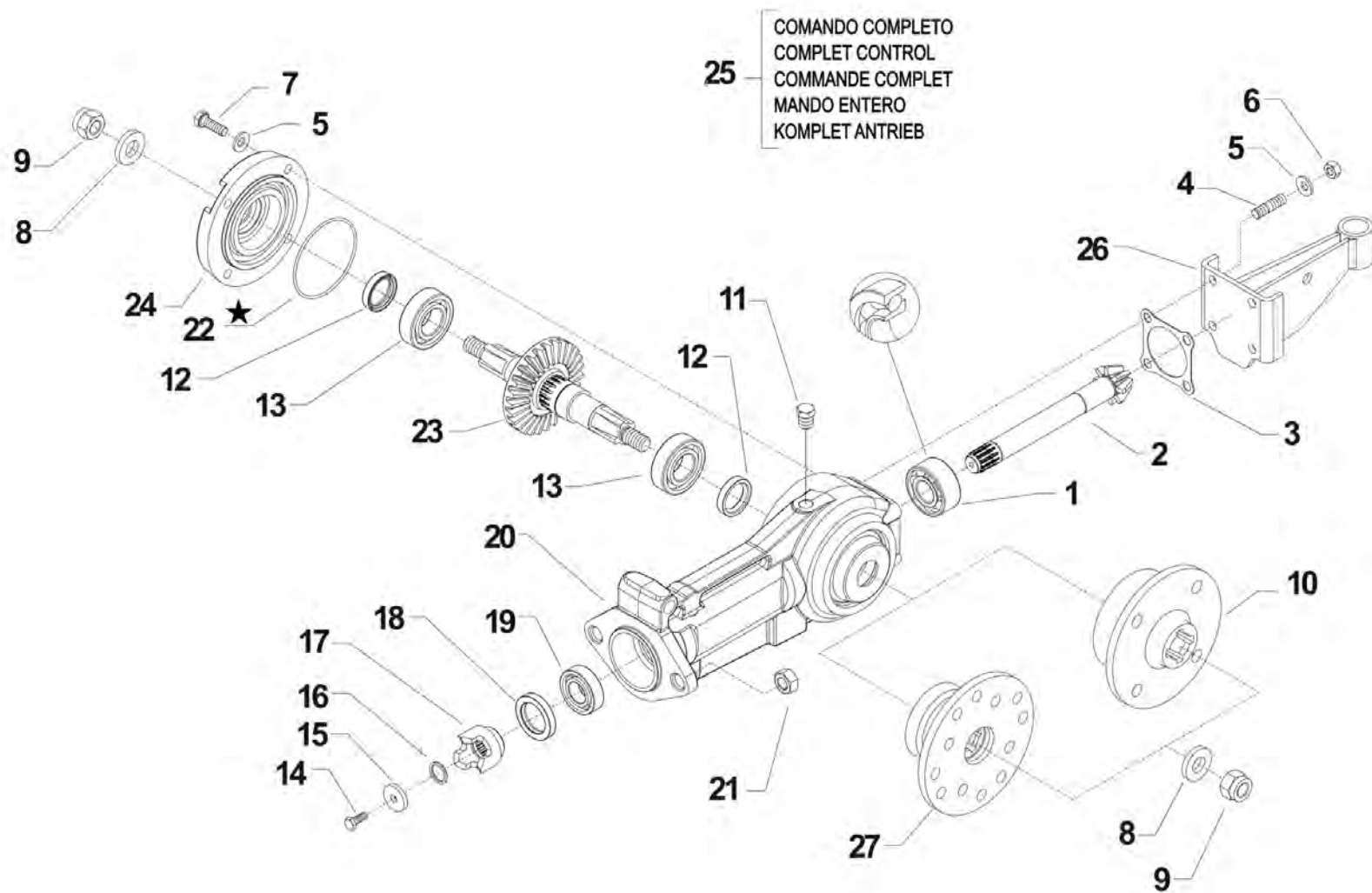
Page 18 / 109

| Pos.     | Id       | Q.ty | Description                | Note |
|----------|----------|------|----------------------------|------|
| 30040001 | 30040001 | 1    | PLUG 1/4 UNI 364           |      |
| 31112090 | 31112090 | 1    | SCREW TE M6X16 UNI 5739 8G |      |
| 31112151 | 31112151 | 1    | SCREW TE M8X25 UNI 5739 8G |      |
| 31241085 | 31241085 | 1    | SELFLOCK NUT M8 6S         |      |
| 31241141 | 31241141 | 1    | SELFLOCK NUT M14 6S        |      |
| 31312078 | 31312078 | 1    | STUD BOLT M8X32X14X14      |      |
| 31421083 | 31421083 | 1    | WASHER                     |      |
| 37111200 | 37111200 | 1    | BEARING 6004 (20X42X12)    |      |
| 37111255 | 37111255 | 1    | BEARING 6205 (25X52X15)    |      |
| 37141201 | 37141201 | 1    | BEARING 7204-B (20X47X14)  |      |
| 38111554 | 38111554 | 1    | O-RING 3062 (15,54X2,62)   |      |
| 38202001 | 38202001 | 1    | OIL SEAL 25X35X7           |      |
| 38212842 | 38212842 | 1    | OIL SEAL 28X42X7           |      |
| 51148428 | 51148428 | 1    | FLANGE 25                  |      |
| 51259225 | 51259225 | 1    | BODY                       |      |
| 51259234 | 51259234 | 1    | BODY                       |      |
| 52459226 | 52459226 | 1    | BEVEL PINION Z=8x146       |      |
| 52459230 | 52459230 | 1    | BEVEL PINION Z8x185        |      |
| 56142291 | 56142291 | 1    | WASHER 7,0x25/4            |      |
| 56148438 | 56148438 | 1    | WASHER 15,0x31/5           |      |
| 56458941 | 56458941 | 1    | COUPLING D=20              |      |
| 58049859 | 58049859 | 1    | GASKET                     |      |
| 58059475 | 58059475 | 1    | SPECIAL NUT M12X1,25       |      |
| 59048408 | 59048408 | 1    | GEARWHEELSHAFT Z=27        |      |
| 59048435 | 59048435 | 1    | FLANGE                     |      |
| 59049853 | 59049853 | 1    | REAR COVER                 |      |
| 59059282 | 59059282 | 1    | FLANGE                     |      |
| 59290858 | 59290858 | 1    | CONTROL GRP.               |      |
| 59290859 | 59290859 | 1    | CONTROL GRP.               |      |



| Pos.        | Id          | Q.ty | Description                | Note |
|-------------|-------------|------|----------------------------|------|
| F0812640050 | F0812640050 | 1    | BEARING 3204 (20x47x20,60) |      |





**i = info - stop 2 sec.** ★ = new part

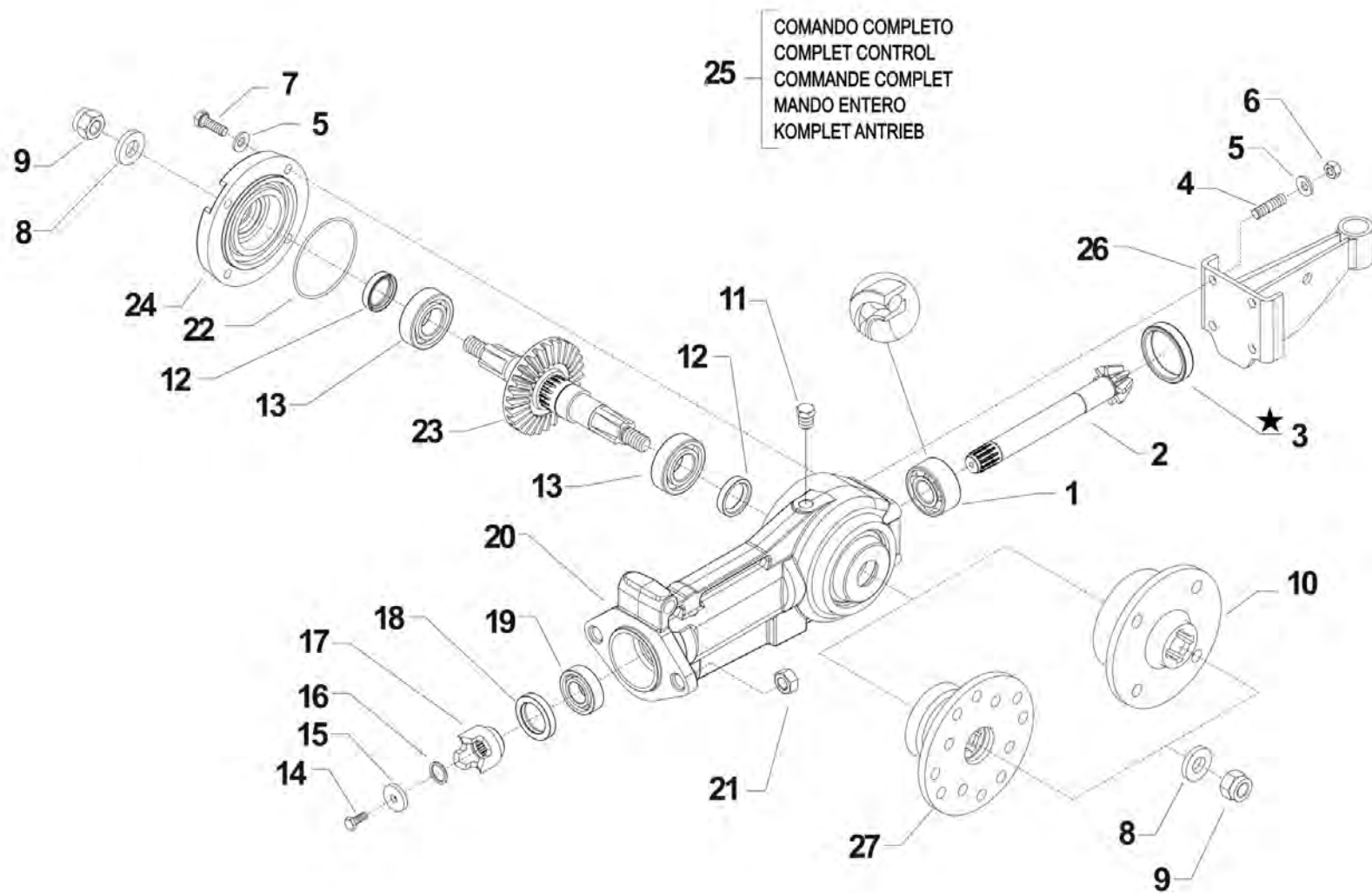


| Pos. | Id          | Q.ty | Description                 | Note |
|------|-------------|------|-----------------------------|------|
| 1    | 37141201    |      | BEARING 7204-B (20X47X14)   |      |
| 1    | F0812640050 |      | BEARING 3204 (20x47x20,60)  |      |
| 2    | 52459226    |      | BEVEL PINION Z=8x146        |      |
| 2    | 52459230    |      | BEVEL PINION Z8x185         |      |
| 3    | 58049859    |      | GASKET                      |      |
| 4    | 31312078    |      | STUD BOLT M8X32X14X14       |      |
| 5    | 31421083    |      | WASHER                      |      |
| 6    | 31241085    |      | SELFLOCK NUT M8 6S          |      |
| 7    | 31112151    |      | SCREW TE M8X25 UNI 5739 8G  |      |
| 8    | 56148438    |      | WASHER 15,0x31/5            |      |
| 9    | 31241141    |      | SELFLOCK NUT M14 6S         |      |
| 10   | 59059282    |      | FLANGE                      |      |
| 11   | 30040001    |      | PLUG 1/4 UNI 364            |      |
| 12   | 38202001    |      | OIL SEAL 25X35X7            |      |
| 13   | 37111255    |      | BEARING 6205 (25X52X15)     |      |
| 14   | 31112090    |      | SCREW TE M6X16 UNI 5739 8G  |      |
| 15   | 56142291    |      | WASHER 7,0x25/4             |      |
| 16   | 38111554    |      | O-RING 3062 (15,54X2,62)    |      |
| 17   | 56458941    |      | COUPLING D=20               |      |
| 18   | 38212842    |      | OIL SEAL 28X42X7            |      |
| 19   | 37111200    |      | BEARING 6004 (20X42X12)     |      |
| 20   | 51259225    |      | BODY                        |      |
| 20   | 51259234N   |      | BODY                        |      |
| 21   | 58059475    |      | SPECIAL NUT M12X1,25        |      |
| 22   | 38118857    |      | O-RING OR 3350 (88,57X2,62) |      |
| 23   | 59048408    |      | GEARWHEELSHAFT Z=27         |      |
| 24   | 51148428N   |      | FLANGE 25                   |      |
| 25   | 59290858    |      | CONTROL GRP.                |      |
| 25   | 59290859    |      | CONTROL GRP.                |      |



| Pos. | Id       | Q.ty | Description | Note |
|------|----------|------|-------------|------|
| 26   | 59049853 |      | REAR COVER  |      |
| 27   | 59048435 |      | FLANGE      |      |





**i** = info - stop 2 sec. ★ = new part



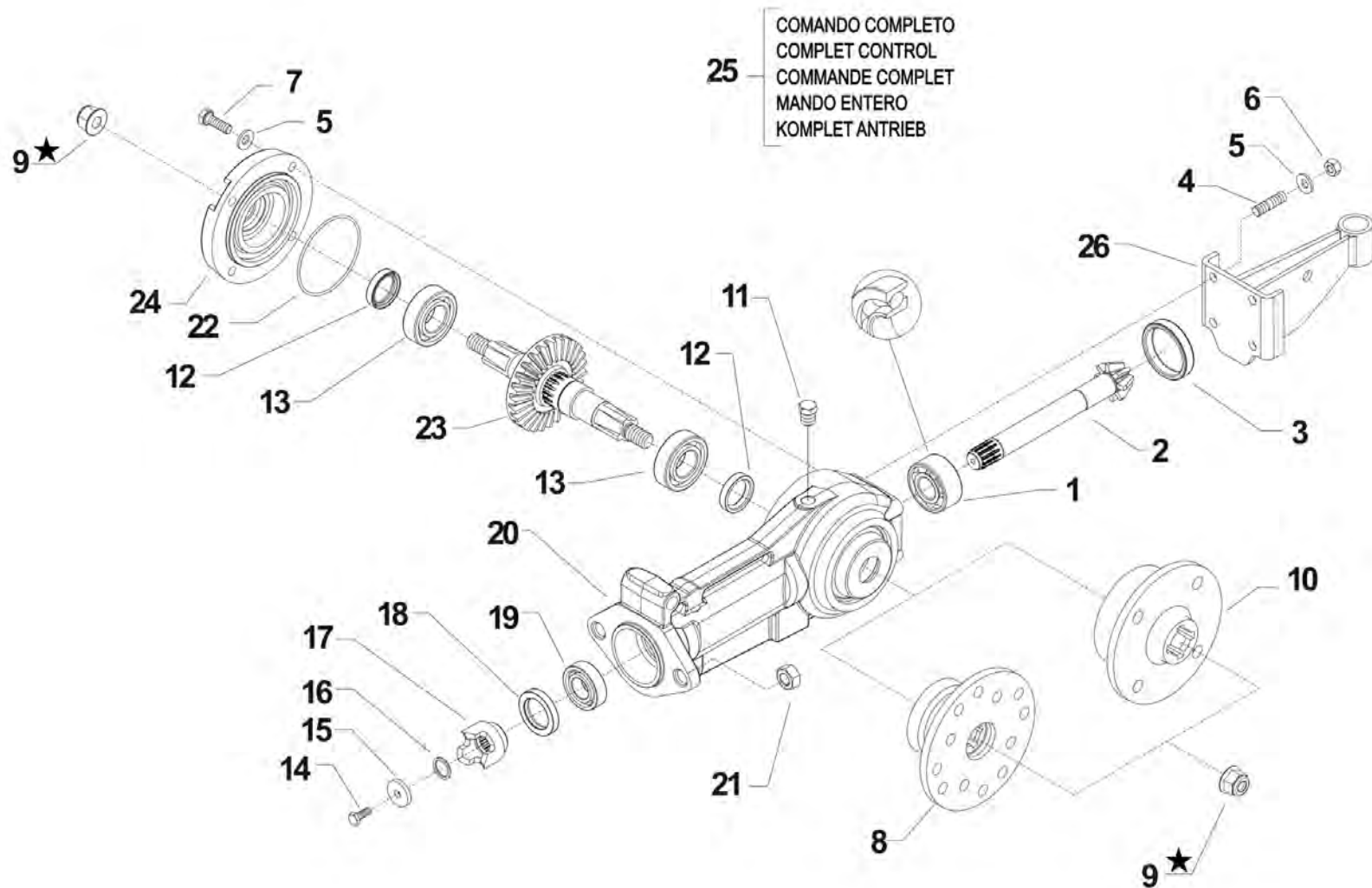


| Pos. | Id          | Q.ty | Description                 | Note |
|------|-------------|------|-----------------------------|------|
| 1    | 37141201    |      | BEARING 7204-B (20X47X14)   |      |
| 1    | F0812640050 |      | BEARING 3204 (20x47x20,60)  |      |
| 2    | 52459226    |      | BEVEL PINION Z=8x146        |      |
| 2    | 52459230    |      | BEVEL PINION Z8x185         |      |
| 3    | 30000072    |      | SMALL CAP CC 50X10          |      |
| 4    | 31312078    |      | STUD BOLT M8X32X14X14       |      |
| 5    | 31421083    |      | WASHER                      |      |
| 6    | 31241085    |      | SELFLOCK NUT M8 6S          |      |
| 7    | 31112151    |      | SCREW TE M8X25 UNI 5739 8G  |      |
| 8    | 56148438    |      | WASHER 15,0x31/5            |      |
| 9    | 31241141    |      | SELFLOCK NUT M14 6S         |      |
| 10   | 59059282    |      | FLANGE                      |      |
| 11   | 30040001    |      | PLUG 1/4 UNI 364            |      |
| 12   | 38202001    |      | OIL SEAL 25X35X7            |      |
| 13   | 37111255    |      | BEARING 6205 (25X52X15)     |      |
| 14   | 31112090    |      | SCREW TE M6X16 UNI 5739 8G  |      |
| 15   | 56142291    |      | WASHER 7,0x25/4             |      |
| 16   | 38111554    |      | O-RING 3062 (15,54X2,62)    |      |
| 17   | 56458941    |      | COUPLING D=20               |      |
| 18   | 38212842    |      | OIL SEAL 28X42X7            |      |
| 19   | 37111200    |      | BEARING 6004 (20X42X12)     |      |
| 20   | 51259225    |      | BODY                        |      |
| 20   | 51259234N   |      | BODY                        |      |
| 21   | 58059475    |      | SPECIAL NUT M12X1,25        |      |
| 22   | 38118857    |      | O-RING OR 3350 (88,57X2,62) |      |
| 23   | 59048408    |      | GEARWHEELSHAFT Z=27         |      |
| 24   | 51148428N   |      | FLANGE 25                   |      |
| 25   | 59290858    |      | CONTROL GRP.                |      |
| 25   | 59290859    |      | CONTROL GRP.                |      |



| Pos. | Id       | Q.ty | Description | Note |
|------|----------|------|-------------|------|
| 26   | 59049853 |      | REAR COVER  |      |
| 27   | 59048435 |      | FLANGE      |      |





**i** = info - stop 2 sec. ★ = new part

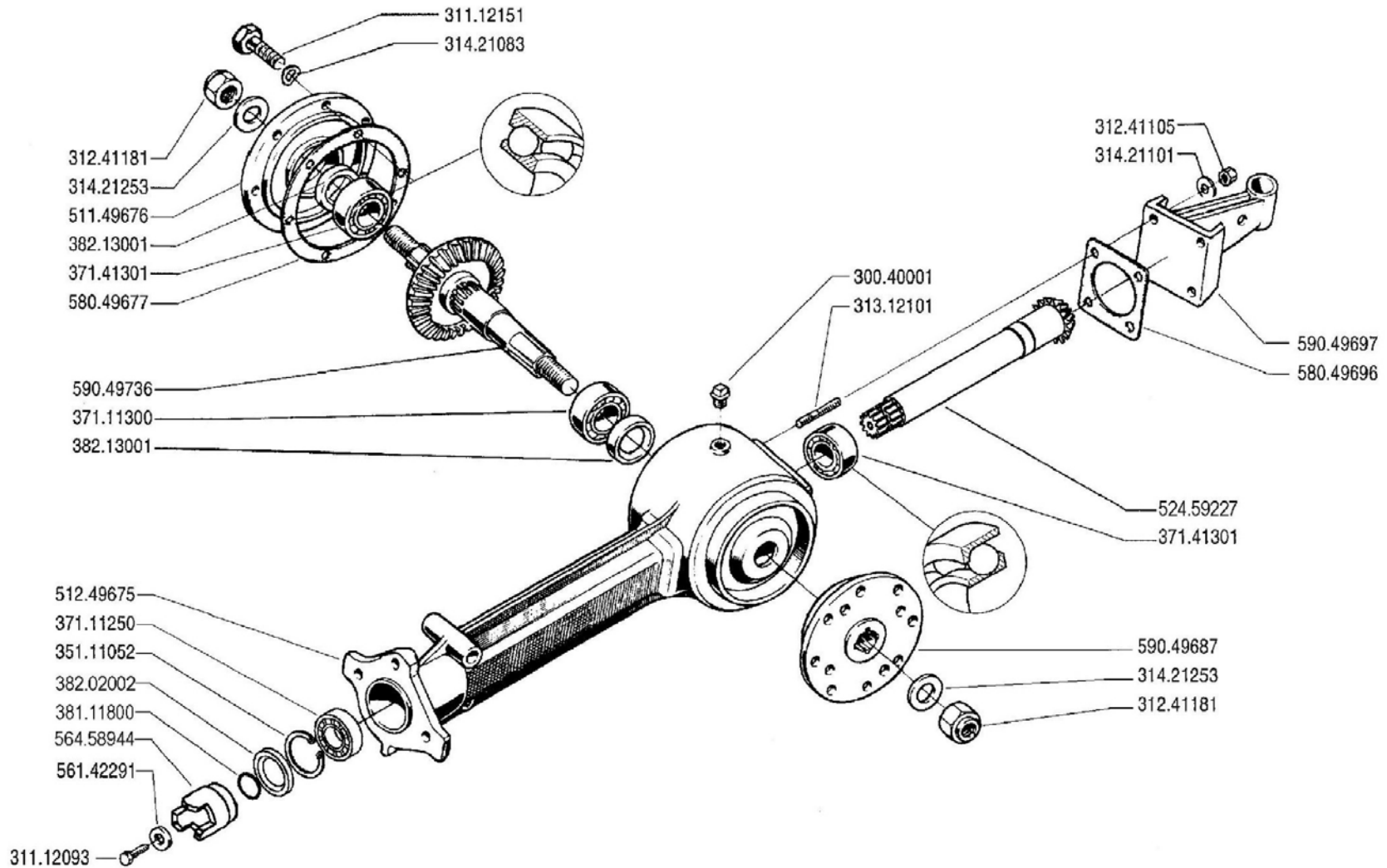


| Pos. | Id          | Q.ty | Description                   | Note                         |
|------|-------------|------|-------------------------------|------------------------------|
| 1    | 37141201    |      | BEARING 7204-B (20X47X14)     | cm 46                        |
| 1    | F0812640050 |      | BEARING 3204 (20x47x20,60)    | cm 52/cm 66/cm 80            |
| 2    | 52459226    |      | BEVEL PINION Z=8x146          | cm 46                        |
| 2    | 52459230    |      | BEVEL PINION Z8x185           |                              |
| 3    | 30000072    |      | SMALL CAP CC 50X10            |                              |
| 4    | 31312078    |      | STUD BOLT M8X32X14X14         |                              |
| 5    | 31421083    |      | WASHER                        |                              |
| 6    | 31241085    |      | SELFLOCK NUT M8 6S            |                              |
| 7    | 31112151    |      | SCREW TE M8X25 UNI 5739 8G    |                              |
| 8    | 59048435    |      | FLANGE                        |                              |
| 9    | 31241145    |      | S/LOCK NUT M14 FL/NY DIN 6927 | REPLACES 31241145 + 56148438 |
| 10   | 59059282    |      | FLANGE                        |                              |
| 11   | 30040001    |      | PLUG 1/4 UNI 364              |                              |
| 12   | 38202001    |      | OIL SEAL 25X35X7              |                              |
| 13   | 37111255    |      | BEARING 6205 (25X52X15)       |                              |
| 14   | 31112090    |      | SCREW TE M6X16 UNI 5739 8G    |                              |
| 15   | 56142291    |      | WASHER 7,0x25/4               |                              |
| 16   | 38111554    |      | O-RING 3062 (15,54X2,62)      |                              |
| 17   | 56458941    |      | COUPLING D=20                 |                              |
| 18   | 38212842    |      | OIL SEAL 28X42X7              |                              |
| 19   | 37111200    |      | BEARING 6004 (20X42X12)       |                              |
| 20   | 51259225    |      | BODY                          | cm 46                        |
| 20   | 51259234N   |      | BODY                          | cm 52/cm 66/cm 80            |
| 21   | 58059475    |      | SPECIAL NUT M12X1,25          | cm 46                        |
| 22   | 38118857    |      | O-RING OR 3350 (88,57X2,62)   |                              |
| 23   | 59048408    |      | GEARWHEELSHAFT Z=27           |                              |
| 24   | 51148428N   |      | FLANGE 25                     |                              |
| 25   | 59290858    |      | CONTROL GRP.                  | cm 46                        |
| 25   | 59290859    |      | CONTROL GRP.                  |                              |



| Pos. | Id       | Q.ty | Description | Note |
|------|----------|------|-------------|------|
| 26   | 59049853 |      | REAR COVER  |      |





ATTREZZI ED ACCESSORI  
IMPLEMENTS AND ACCESSORIES  
OUTILS ET ACCESSOIRES  
APAROS Y ACCESORIOS  
ARBEITSGERÄTE UND ZUBEHÖR

600/700 serie 94

COMANDO FRESA (746)

ROTARY HOE CONTROL  
MANDO FRESADORA

COMMANDE FRAISE  
FRÄSERANTRIEB

DAL L'ATREZZO  
DESDE EL APARO  
DE L'OUTIL  
FROM IMPLMENT  
AB ARBEITSGERÄT

N.

07 A 00

9/1999

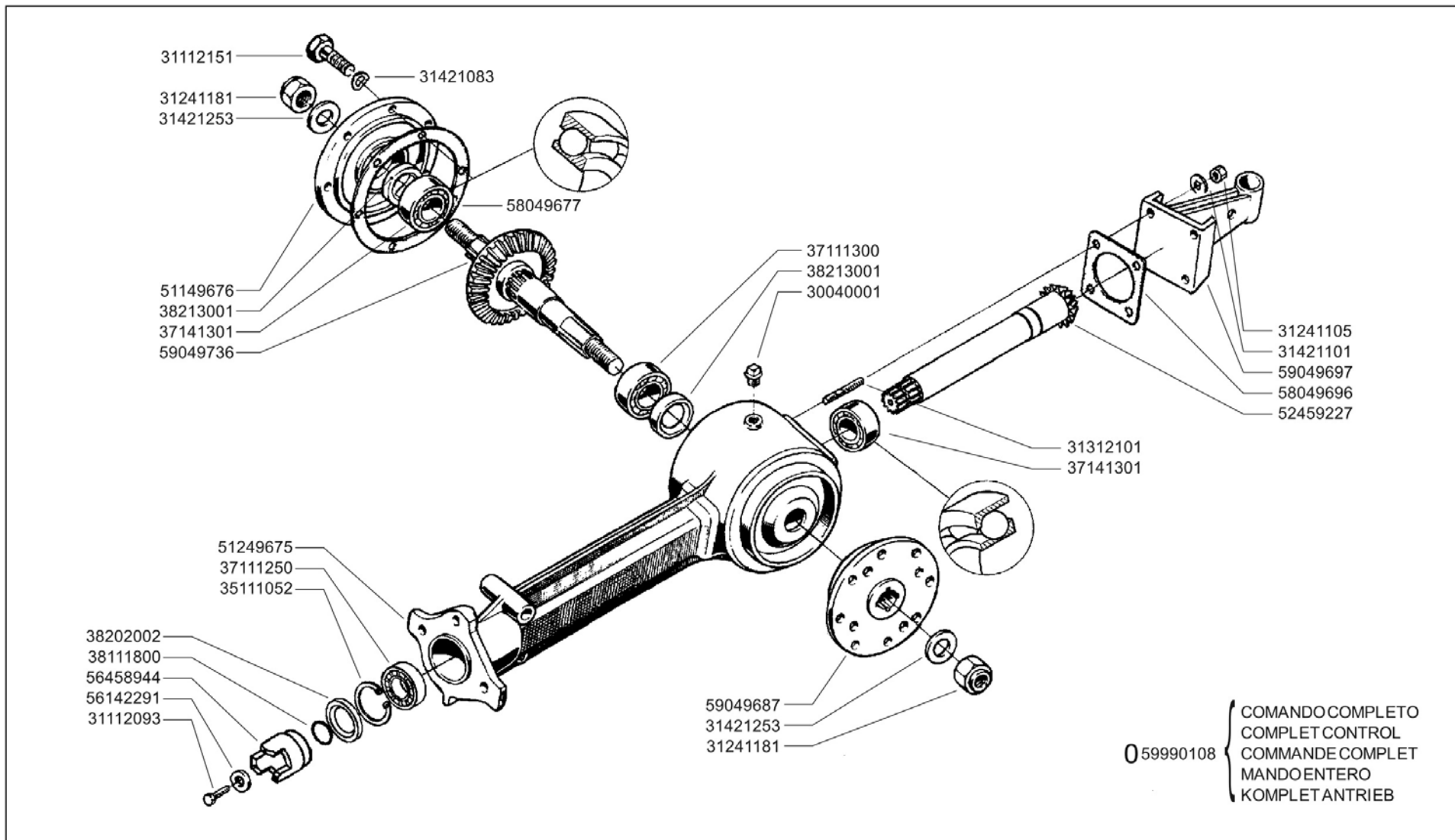
Mod.


2ENNE



| Pos.     | Id       | Q.ty | Description                   | Note |
|----------|----------|------|-------------------------------|------|
| 30040001 | 30040001 |      | PLUG 1/4 UNI 364              |      |
| 31112093 | 31112093 |      | SCREW TE M6X20                |      |
| 31112151 | 31112151 |      | SCREW TE M8X25 UNI 5739 8G    |      |
| 31241105 | 31241105 |      | SELFLOCK NUT M10              |      |
| 31241181 | 31241181 |      | SELFLOCK NUT M18x1,5 6S       |      |
| 31312101 | 31312101 |      | STUD BOLT M10X37X15X19        |      |
| 31421083 | 31421083 |      | WASHER                        |      |
| 31421101 | 31421101 |      | WASHER 10 DIN 679             |      |
| 31421253 | 31421253 |      | WASHER                        |      |
| 35111052 | 35111052 |      | SEEGER RING I 52 DIN 472      |      |
| 37111250 | 37111250 |      | BEARING                       |      |
| 37111300 | 37111300 |      | BEARING 6206 (30X62X16)       |      |
| 37141301 | 37141301 |      | BEARING 7206-B OBL (30X62X16) |      |
| 38111800 | 38111800 |      | O-RING 4075 (18,64X3,53)      |      |
| 38202002 | 38202002 |      | OIL SEAL 35X52X7              |      |
| 38213001 | 38213001 |      | OIL SEAL 30X52X10             |      |
| 51149676 | 51149676 |      | COVER                         |      |
| 51249675 | 51249675 |      | BODY                          |      |
| 52459227 | 52459227 |      | BEVEL PINION Z=8              |      |
| 56142291 | 56142291 |      | WASHER 7,0x25/4               |      |
| 56458944 | 56458944 |      | COUPLING D=25                 |      |
| 58049677 | 58049677 |      | COVER GASKET                  |      |
| 58049696 | 58049696 |      | COVER GASKET                  |      |
| 59049687 | 59049687 |      | FLANGE                        |      |
| 59049697 | 59049697 |      | REAR COVER                    |      |
| 59049736 | 59049736 |      | GEARWHEELSHAFT Z-23           |      |





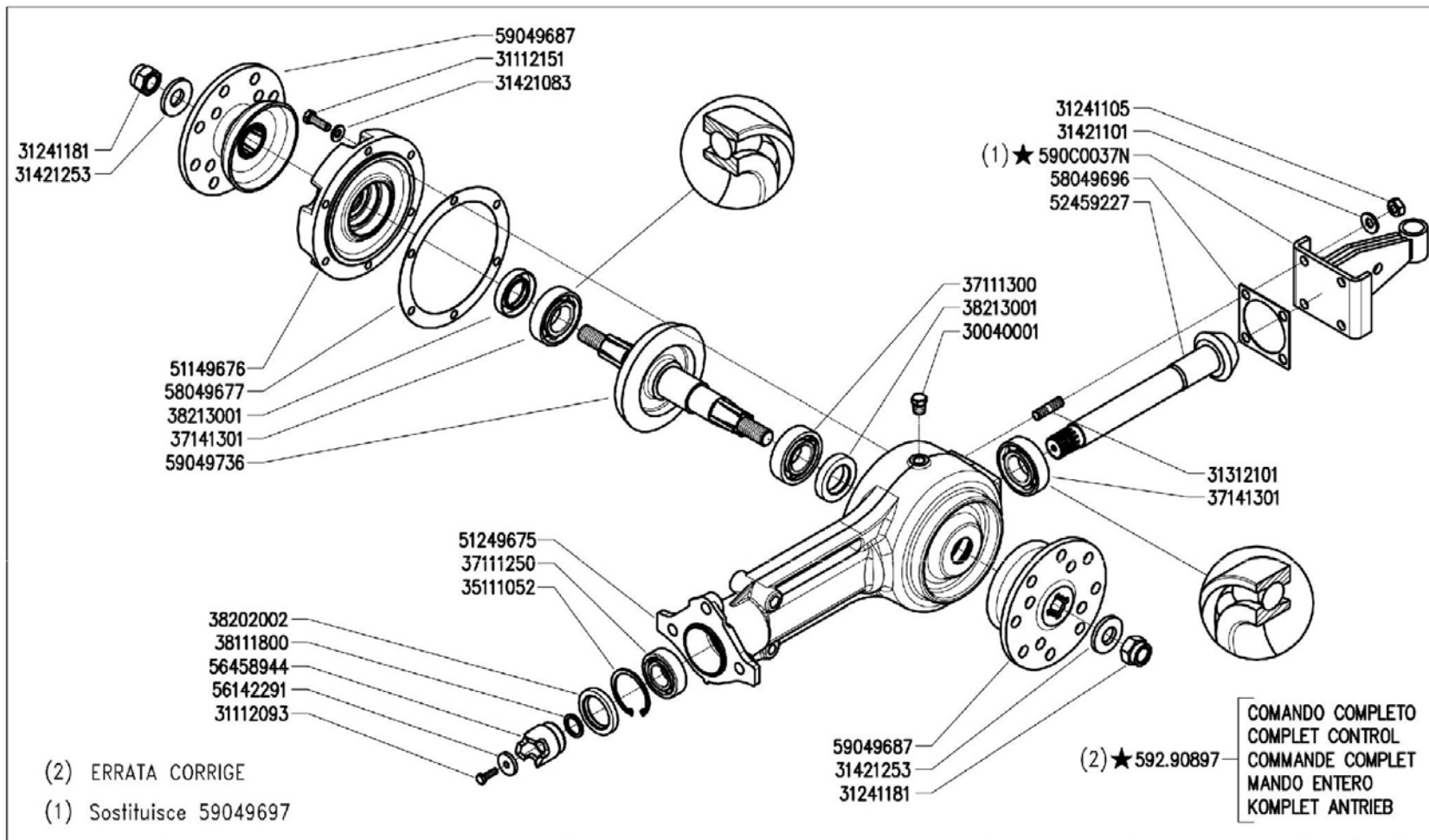
|   |   |                         |                                  |                |  |               |               |      |
|---|---|-------------------------|----------------------------------|----------------|--|---------------|---------------|------|
|  | <b>ATTREZZI ED ACCESSORI</b><br>IMPLEMENTS AND ACCESSORIES<br>OUTILS ET ACCESSOIRES<br>APEROS Y ACCESORIOS<br>ARBEITSGERÄTE UND ZUBEHÖR | <b>600/700 serie 94</b> | <b>COMANDO FRESA (746)</b>       |                | DALL'ATTREZZO<br>DESDE EL APERO<br>DE L'OUTIL<br>FROM IMPLEMENT<br>AB ARBEITSGERÄT<br><br>★ N. | AGGIORNAMENTO | <b>07 A 1</b> | Rev. |
|   |   |                         | REVISION                         |                |  |               |               |      |
|   |   |                         | MISE A JOUR                      |                |  |               |               |      |
|   |   |                         | APLAZAMIENTO                     |                |  |               |               |      |
|   |   |                         | ANPASSUNG                        | <b>05/2006</b> |  | ZEN           |               |      |
| ROTARY HOE CONTROL<br>MANDO FRESADORA   |   |                         | COMMANDE FRAISE<br>FRÄSERANTRIEB |                |  |               |               |      |





| Pos.     | Id       | Q.ty | Description                   | Note |
|----------|----------|------|-------------------------------|------|
| 30040001 | 30040001 |      | PLUG 1/4 UNI 364              |      |
| 31112093 | 31112093 |      | SCREW TE M6X20                |      |
| 31112151 | 31112151 |      | SCREW TE M8X25 UNI 5739 8G    |      |
| 31241105 | 31241105 |      | SELFLOCK NUT M10              |      |
| 31241181 | 31241181 |      | SELFLOCK NUT M18x1,5 6S       |      |
| 31312101 | 31312101 |      | STUD BOLT M10X37X15X19        |      |
| 31421083 | 31421083 |      | WASHER                        |      |
| 31421101 | 31421101 |      | WASHER 10 DIN 679             |      |
| 31421253 | 31421253 |      | WASHER                        |      |
| 35111052 | 35111052 |      | SEEGER RING I 52 DIN 472      |      |
| 37111250 | 37111250 |      | BEARING                       |      |
| 37111300 | 37111300 |      | BEARING 6206 (30X62X16)       |      |
| 37141301 | 37141301 |      | BEARING 7206-B OBL (30X62X16) |      |
| 38111800 | 38111800 |      | O-RING 4075 (18,64X3,53)      |      |
| 38202002 | 38202002 |      | OIL SEAL 35X52X7              |      |
| 38213001 | 38213001 |      | OIL SEAL 30X52X10             |      |
| 51149676 | 51149676 |      | COVER                         |      |
| 51249675 | 51249675 |      | BODY                          |      |
| 52459227 | 52459227 |      | BEVEL PINION Z=8              |      |
| 56142291 | 56142291 |      | WASHER 7,0x25/4               |      |
| 56458944 | 56458944 |      | COUPLING D=25                 |      |
| 58049677 | 58049677 |      | COVER GASKET                  |      |
| 58049696 | 58049696 |      | COVER GASKET                  |      |
| 59049687 | 59049687 |      | FLANGE                        |      |
| 59049697 | 59049697 |      | REAR COVER                    |      |
| 59049736 | 59049736 |      | GEARWHEELSHAFT Z-23           |      |
| 59990108 | 59990108 | 1    | CULTIVATOR                    |      |





(2) ERRATA CORRIGE  
 (1) Sostituisce 59049697



ATTREZZI ED ACCESSORI  
 IMPLEMENTS AND ACCESSORIES  
 OUTILS ET ACCESSOIRES  
 APEROS Y ACCESORIOS  
 ARBEITSGERÄTE UND ZUBEHÖR

600/700 serie 94

COMANDO FRESA (746-750★)

ROTARY HOE CONTROL  
 MANDO FRESADORA

COMMANDE FRAISE  
 FRÄSERANTRIEB

DALL' ATTREZZO  
 DESDE EL APERO  
 DE L'OUTIL  
 FROM IMPLEMENT  
 AB ARBEITSGERÄT

★ N.

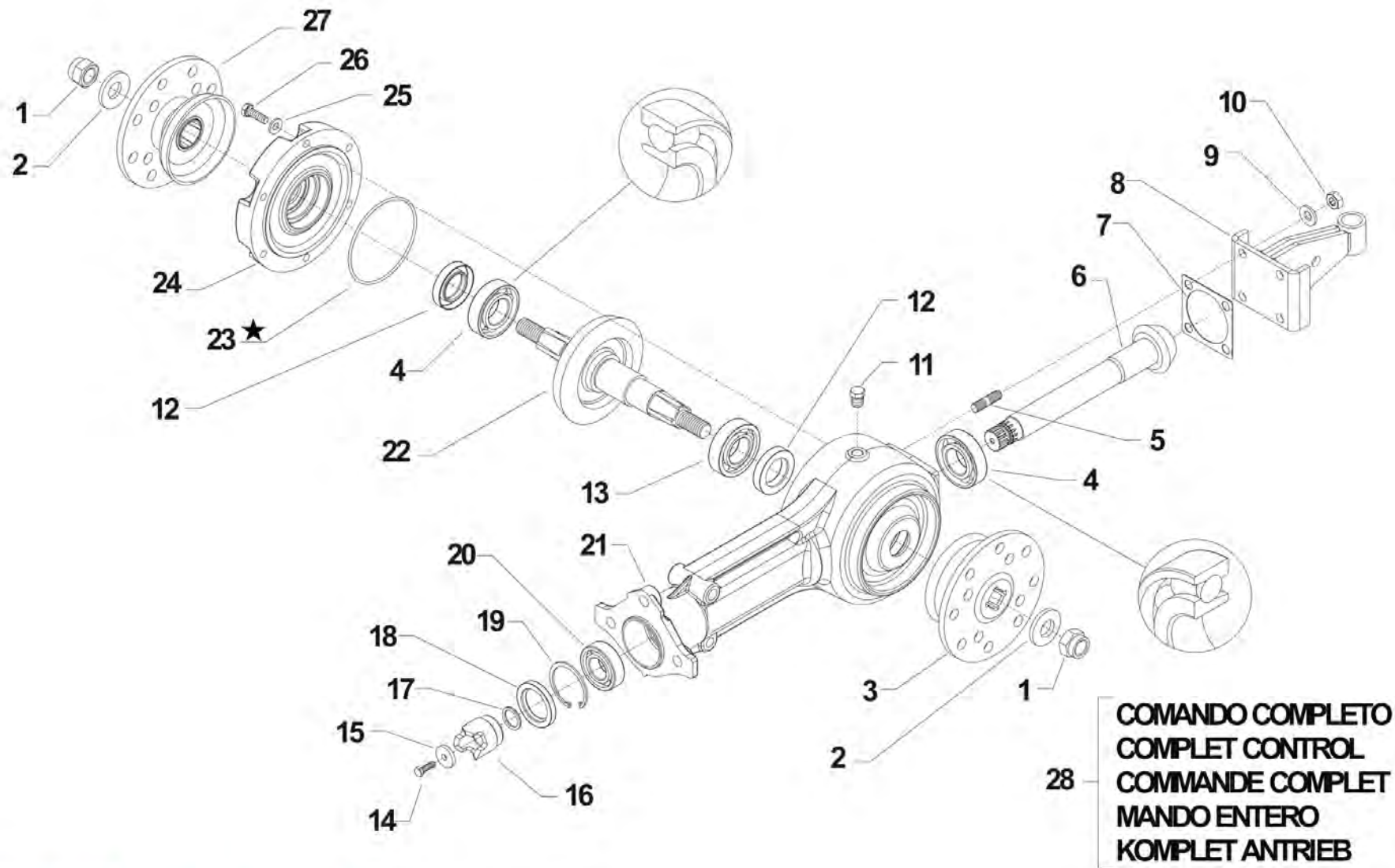
435813

|         |   |        |
|---------|---|--------|
| 07      | A | Rev. 2 |
| 04/2011 |   | DATE   |



| Pos.      | Id        | Q.ty | Description                   | Note |
|-----------|-----------|------|-------------------------------|------|
| 30040001  | 30040001  | 1    | PLUG 1/4 UNI 364              |      |
| 31112093  | 31112093  | 1    | SCREW TE M6X20                |      |
| 31112151  | 31112151  | 1    | SCREW TE M8X25 UNI 5739 8G    |      |
| 31241105  | 31241105  | 1    | SELFLOCK NUT M10              |      |
| 31241181  | 31241181  | 1    | SELFLOCK NUT M18x1,5 6S       |      |
| 31312101  | 31312101  | 1    | STUD BOLT M10X37X15X19        |      |
| 31421083  | 31421083  | 1    | WASHER                        |      |
| 31421101  | 31421101  | 1    | WASHER 10 DIN 679             |      |
| 31421253  | 31421253  | 1    | WASHER                        |      |
| 35111052  | 35111052  | 1    | SEEGER RING I 52 DIN 472      |      |
| 37111250  | 37111250  | 1    | BEARING                       |      |
| 37111300  | 37111300  | 1    | BEARING 6206 (30X62X16)       |      |
| 37141301  | 37141301  | 1    | BEARING 7206-B OBL (30X62X16) |      |
| 38111800  | 38111800  | 1    | O-RING 4075 (18,64X3,53)      |      |
| 38202002  | 38202002  | 1    | OIL SEAL 35X52X7              |      |
| 38213001  | 38213001  | 1    | OIL SEAL 30X52X10             |      |
| 51149676  | 51149676  | 1    | COVER                         |      |
| 51249675  | 51249675  | 1    | BODY                          |      |
| 52459227  | 52459227  | 1    | BEVEL PINION Z=8              |      |
| 56142291  | 56142291  | 1    | WASHER 7,0x25/4               |      |
| 56458944  | 56458944  | 1    | COUPLING D=25                 |      |
| 58049677  | 58049677  | 1    | COVER GASKET                  |      |
| 58049696  | 58049696  | 1    | COVER GASKET                  |      |
| 59049687  | 59049687  | 1    | FLANGE                        |      |
| 59049736  | 59049736  | 1    | GEARWHEELSHAFT Z-23           |      |
| 59290897  | 59290897  | 1    | ROTARY HOE GEAR BOX 750       |      |
| 590C0037N | 590C0037N | 1    | REAR COVER                    |      |



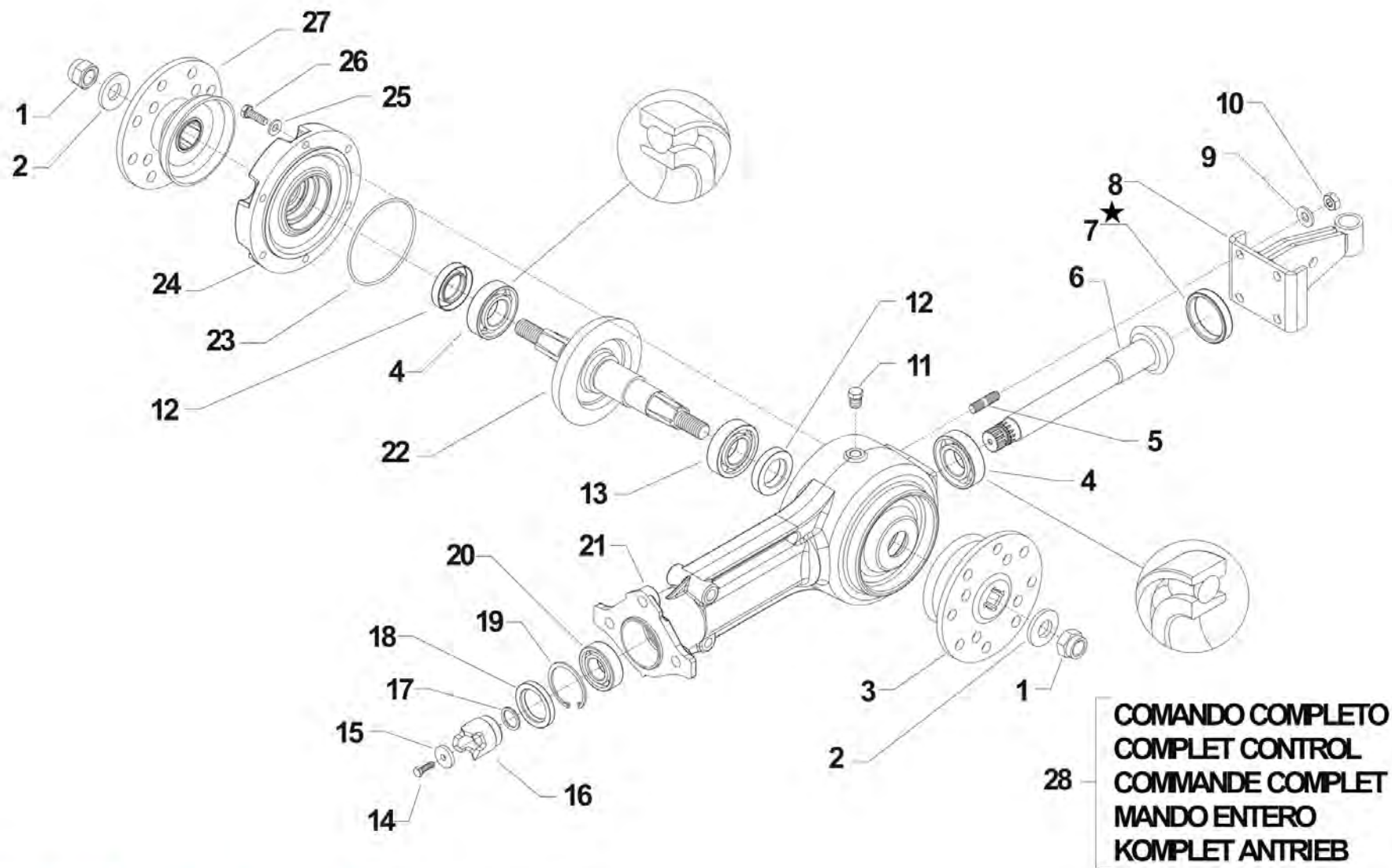






**i** = info - stop 2 sec. ★ = new part



| Pos. | Id        | Q.ty | Description                   | Note |
|------|-----------|------|-------------------------------|------|
| 1    | 31241181  |      | SELFLOCK NUT M18x1,5 6S       |      |
| 2    | 31421253  |      | WASHER                        |      |
| 3    | 59049687  |      | FLANGE                        |      |
| 4    | 37141301  |      | BEARING 7206-B OBL (30X62X16) |      |
| 5    | 31312101  |      | STUD BOLT M10X37X15X19        |      |
| 6    | 52459227  |      | BEVEL PINION Z=8              |      |
| 7    | 58049696  |      | COVER GASKET                  |      |
| 8    | 590C0037N |      | REAR COVER                    |      |
| 9    | 31421101  |      | WASHER 10 DIN 679             |      |
| 10   | 31241105  |      | SELFLOCK NUT M10              |      |
| 11   | 30040001  |      | PLUG 1/4 UNI 364              |      |
| 12   | 38213001  |      | OIL SEAL 30X52X10             |      |
| 13   | 37111300  |      | BEARING 6206 (30X62X16)       |      |
| 14   | 31112093  |      | SCREW TE M6X20                |      |
| 15   | 56142291  |      | WASHER 7,0x25/4               |      |
| 16   | 56458944  |      | COUPLING D=25                 |      |
| 17   | 38111800  |      | O-RING 4075 (18,64X3,53)      |      |
| 18   | 38202002  |      | OIL SEAL 35X52X7              |      |
| 19   | 35111052  |      | SEEGER RING I 52 DIN 472      |      |
| 20   | 37111250  |      | BEARING                       |      |
| 21   | 51249675  |      | BODY                          |      |
| 22   | 59049736  |      | GEARWHEELSHAFT Z-23           |      |
| 23   | 38112667  |      | O-RING 3500 (126,67X2,62)     |      |
| 24   | 51149676  |      | COVER                         |      |
| 25   | 31421083  |      | WASHER                        |      |
| 26   | 31112151  |      | SCREW TE M8X25 UNI 5739 8G    |      |
| 27   | 59049687  |      | FLANGE                        |      |
| 28   | 59290897  |      | ROTARY HOE GEAR BOX 750       |      |



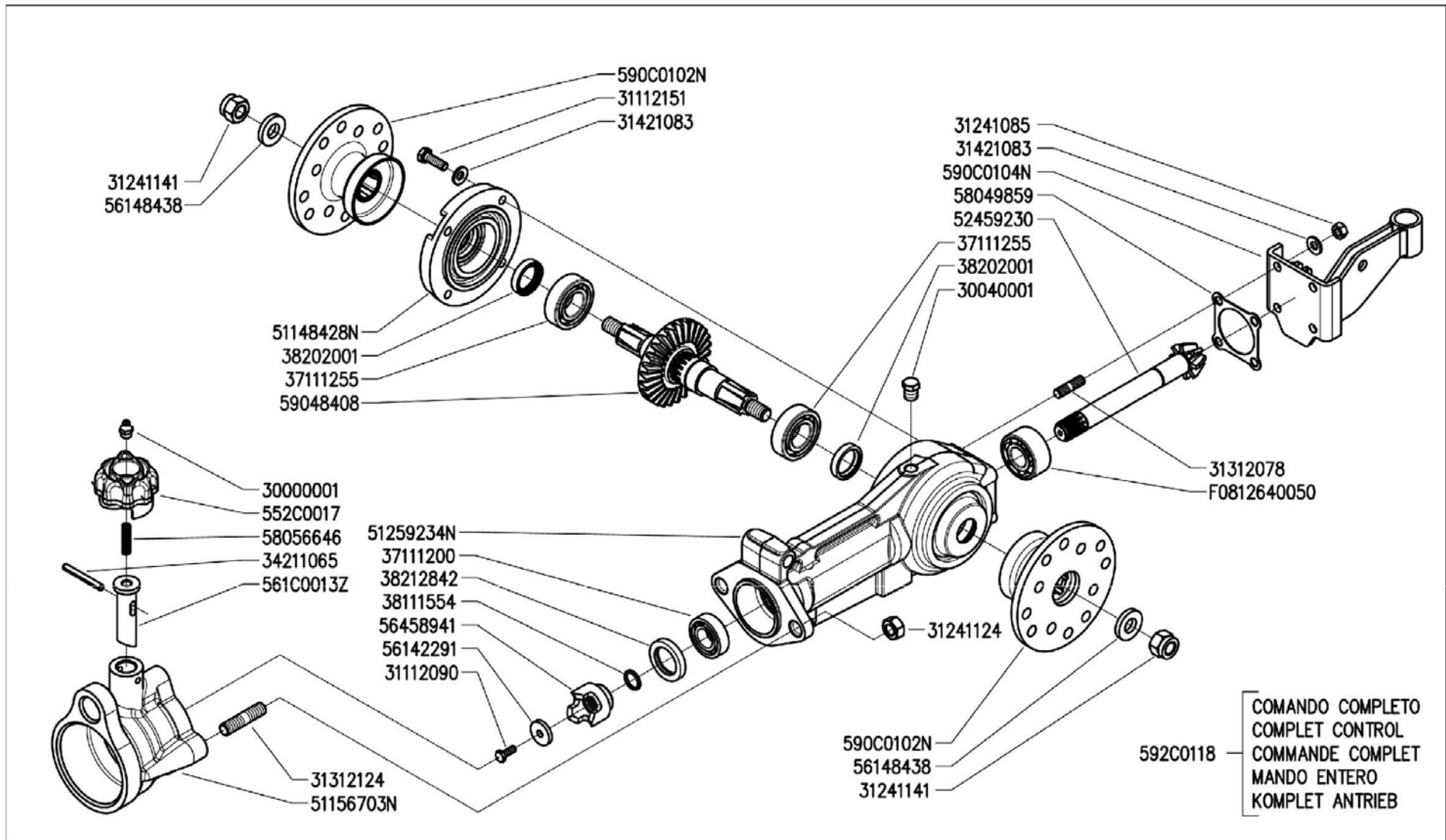





 **i = info - stop 2 sec.** ★ = new part



| Pos. | Id        | Q.ty | Description                   | Note |
|------|-----------|------|-------------------------------|------|
| 1    | 31241181  |      | SELFLOCK NUT M18x1,5 6S       |      |
| 2    | 31421253  |      | WASHER                        |      |
| 3    | 59049687  |      | FLANGE                        |      |
| 4    | 37141301  |      | BEARING 7206-B OBL (30X62X16) |      |
| 5    | 31312101  |      | STUD BOLT M10X37X15X19        |      |
| 6    | 52459227  |      | BEVEL PINION Z=8              |      |
| 7    | 30000071  |      | SMALL CAP CC 65X10            |      |
| 8    | 590C0037N |      | REAR COVER                    |      |
| 9    | 31421101  |      | WASHER 10 DIN 679             |      |
| 10   | 31241105  |      | SELFLOCK NUT M10              |      |
| 11   | 30040001  |      | PLUG 1/4 UNI 364              |      |
| 12   | 38213001  |      | OIL SEAL 30X52X10             |      |
| 13   | 37111300  |      | BEARING 6206 (30X62X16)       |      |
| 14   | 31112093  |      | SCREW TE M6X20                |      |
| 15   | 56142291  |      | WASHER 7,0x25/4               |      |
| 16   | 56458944  |      | COUPLING D=25                 |      |
| 17   | 38111800  |      | O-RING 4075 (18,64X3,53)      |      |
| 18   | 38202002  |      | OIL SEAL 35X52X7              |      |
| 19   | 35111052  |      | SEEGER RING I 52 DIN 472      |      |
| 20   | 37111250  |      | BEARING                       |      |
| 21   | 51249675  |      | BODY                          |      |
| 22   | 59049736  |      | GEARWHEELSHAFT Z-23           |      |
| 23   | 38112667  |      | O-RING 3500 (126,67X2,62)     |      |
| 24   | 51149676  |      | COVER                         |      |
| 25   | 31421083  |      | WASHER                        |      |
| 26   | 31112151  |      | SCREW TE M8X25 UNI 5739 8G    |      |
| 27   | 59049687  |      | FLANGE                        |      |
| 28   | 59290897  |      | ROTARY HOE GEAR BOX 750       |      |





|   |  |                  |                                       |                                  |  |    |        |                 |
|---|--|------------------|---------------------------------------|----------------------------------|--|----|--------|-----------------|
|  | ATTREZZI ED ACCESSORI<br>IMPLEMENTS AND ACCESSORIES<br>OUTILS ET ACCESSOIRES<br>APEROS Y ACCESORIOS<br>ARBEITSGERÄTE UND ZUBEHÖR | 600/700 serie 94 | <b>COMANDO FRESA (85 LIGHT)</b>       |                                  | DALL' ATTREZZO<br>DESDE EL APERO<br>DE L'OUTIL<br>FROM IMPLEMENT<br>AB ARBEITSGERÄET | N. | 07 B 0 | Rev.<br>10/2011 |
|   |  |                  | ROTARY HOE CONTROL<br>MANDO FRESADORA | COMMANDE FRAISE<br>FRÄSERANTRIEB |  |    |        |                 |



BCS Motor mowers, BCS 2-wheel tractors - ROTARY HOE

**07B\_0\_141122 - ROTARY HOE CONTROL**

29/04/2021

Page 40 / 109

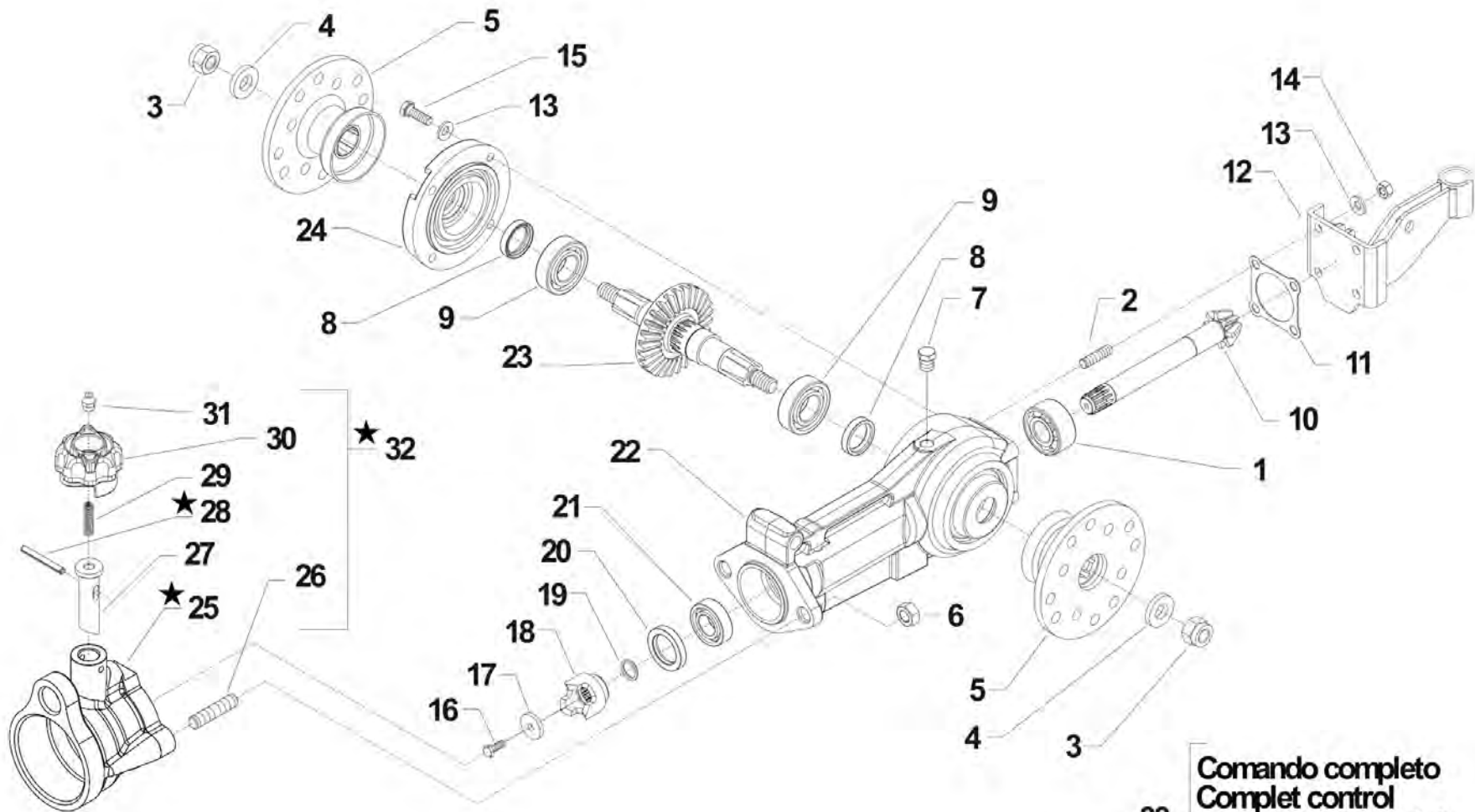


| Pos.      | Id        | Q.ty | Description                        | Note |
|-----------|-----------|------|------------------------------------|------|
| 30000001  | 30000001  | 1    | LUBRICATOR M10                     |      |
| 30040001  | 30040001  | 1    | PLUG 1/4 UNI 364                   |      |
| 31112090  | 31112090  | 1    | SCREW TE M6X16 UNI 5739 8G         |      |
| 31112151  | 31112151  | 1    | SCREW TE M8X25 UNI 5739 8G         |      |
| 31241085  | 31241085  | 1    | SELFLOCK NUT M8 6S                 |      |
| 31241124  | 31241124  | 1    | SELFLOCK NUT M12x1,25              |      |
| 31241141  | 31241141  | 1    | SELFLOCK NUT M14 6S                |      |
| 31312078  | 31312078  | 1    | STUD BOLT M8X32X14X14              |      |
| 31312124  | 31312124  | 1    | STUD BOLT 52XM12X1,25X22XM12X22 8G |      |
| 31421083  | 31421083  | 1    | WASHER                             |      |
| 34211065  | 34211065  | 1    | ROLL PIN 6X50 DIN 1481             |      |
| 37111200  | 37111200  | 1    | BEARING 6004 (20X42X12)            |      |
| 37111255  | 37111255  | 1    | BEARING 6205 (25X52X15)            |      |
| 38111554  | 38111554  | 1    | O-RING 3062 (15,54X2,62)           |      |
| 38202001  | 38202001  | 1    | OIL SEAL 25X35X7                   |      |
| 38212842  | 38212842  | 1    | OIL SEAL 28X42X7                   |      |
| 52459230  | 52459230  | 1    | BEVEL PINION Z8x185                |      |
| 552C0017  | 552C0017  | 1    | KNOB                               |      |
| 56142291  | 56142291  | 1    | WASHER 7,0x25/4                    |      |
| 56148438  | 56148438  | 1    | WASHER 15,0x31/5                   |      |
| 56458941  | 56458941  | 1    | COUPLING D=20                      |      |
| 58049859  | 58049859  | 1    | GASKET                             |      |
| 58056646  | 58056646  | 1    | SPRING 8KG                         |      |
| 59048408  | 59048408  | 1    | GEARWHEELSHAFT Z=27                |      |
| 592C0118  | 592C0118  | 1    | UNIT                               |      |
| 51148428N | 51148428N | 1    | FLANGE 25                          |      |
| 51156703N | 51156703N | 1    | THREE-POINT LINKAGE                |      |
| 51259234N | 51259234N | 1    | BODY                               |      |
| 561C0013Z | 561C0013Z | 1    | STAKE                              |      |



| Pos.        | Id          | Q.ty | Description                | Note |
|-------------|-------------|------|----------------------------|------|
| 590C0102N   | 590C0102N   | 1    | BLADE HOLDER FLANGE        |      |
| 590C0104N   | 590C0104N   | 1    | REAR COVER                 |      |
| F0812640050 | F0812640050 | 1    | BEARING 3204 (20x47x20,60) |      |





33 Comando completo  
 Complet control  
 Commande complet  
 Mando entero  
 Komplet antrieb



**i = info - stop 2 sec.** ★ = new part

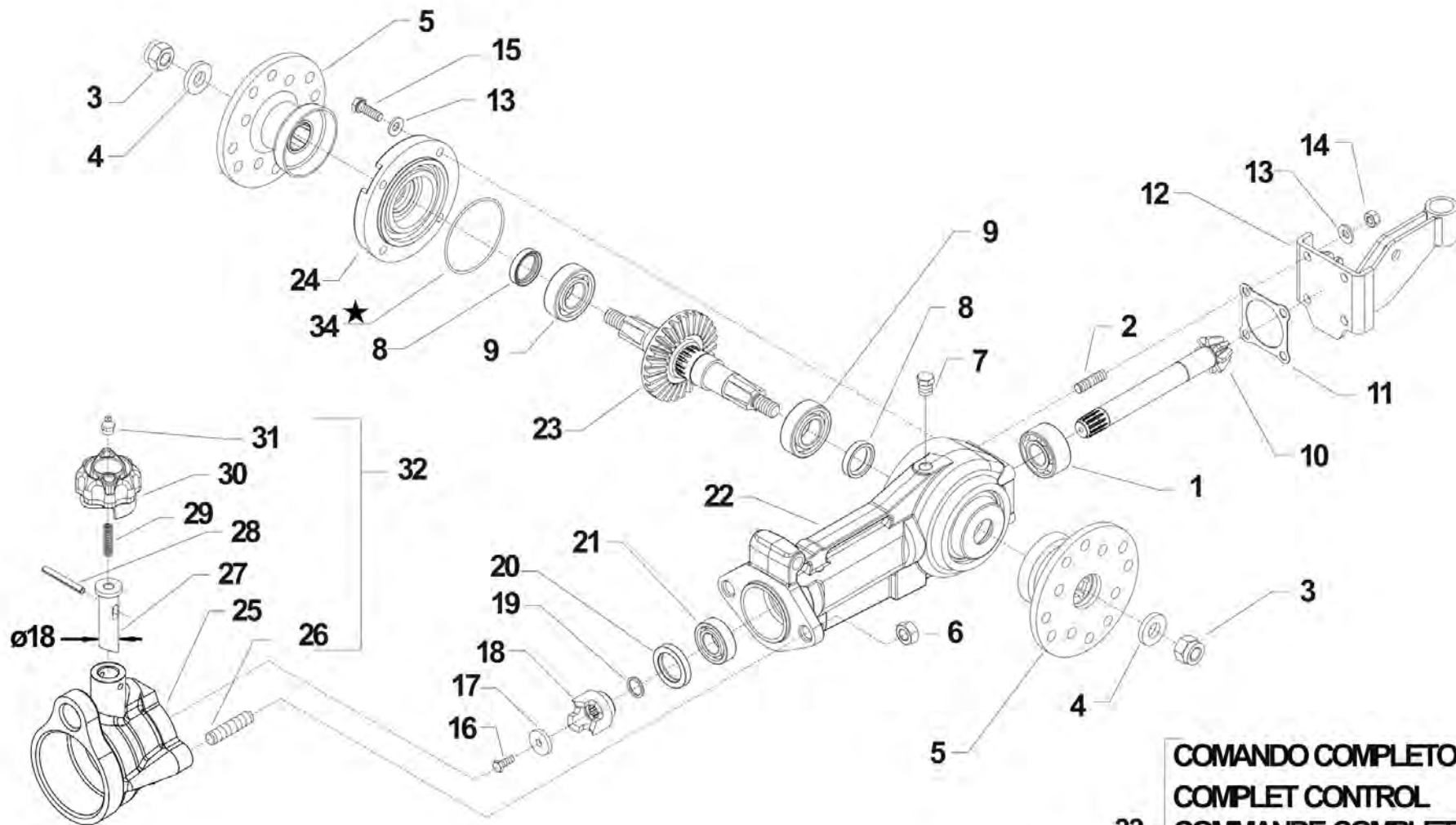


| Pos. | Id          | Q.ty | Description                        | Note |
|------|-------------|------|------------------------------------|------|
| 1    | F0812640050 |      | BEARING 3204 (20x47x20,60)         |      |
| 2    | 31312078    |      | STUD BOLT M8X32X14X14              |      |
| 3    | 31241141    |      | SELFLOCK NUT M14 6S                |      |
| 4    | 56148438    |      | WASHER 15,0x31/5                   |      |
| 5    | 590C0102N   |      | BLADE HOLDER FLANGE                |      |
| 6    | 31241124    |      | SELFLOCK NUT M12x1,25              |      |
| 7    | 30040001    |      | PLUG 1/4 UNI 364                   |      |
| 8    | 38202001    |      | OIL SEAL 25X35X7                   |      |
| 9    | 37111255    |      | BEARING 6205 (25X52X15)            |      |
| 10   | 52459230    |      | BEVEL PINION Z8x185                |      |
| 11   | 58049859    |      | GASKET                             |      |
| 12   | 590C0104N   |      | REAR COVER                         |      |
| 13   | 31421083    |      | WASHER                             |      |
| 14   | 31241085    |      | SELFLOCK NUT M8 6S                 |      |
| 15   | 31112151    |      | SCREW TE M8X25 UNI 5739 8G         |      |
| 16   | 31112090    |      | SCREW TE M6X16 UNI 5739 8G         |      |
| 17   | 56142291    |      | WASHER 7,0x25/4                    |      |
| 18   | 56458941    |      | COUPLING D=20                      |      |
| 19   | 38111554    |      | O-RING 3062 (15,54X2,62)           |      |
| 20   | 38212842    |      | OIL SEAL 28X42X7                   |      |
| 21   | 37111200    |      | BEARING 6004 (20X42X12)            |      |
| 22   | 51259234N   |      | BODY                               |      |
| 23   | 59048408    |      | GEARWHEELSHAFT Z=27                |      |
| 24   | 51148428N   |      | FLANGE 25                          |      |
| 25   | 51156710N   |      | ATTACCO ATTREZZI 750/2 mr          |      |
| 26   | 31312124    |      | STUD BOLT 52XM12X1,25X22XM12X22 8G |      |
| 27   | 561C0013Z   |      | STAKE                              |      |
| 28   | 34213065    |      | ROLL PIN                           |      |
| 29   | 58056646    |      | SPRING 8KG                         |      |



| Pos. | Id       | Q.ty | Description     | Note |
|------|----------|------|-----------------|------|
| 30   | 552C0017 |      | KNOB            |      |
| 31   | 30000001 |      | LUBRICATOR M10  |      |
| 32   | 922C0119 |      | BUSHING FOR 750 |      |
| 33   | 592C0118 |      | UNIT            |      |





**COMANDO COMPLETO**  
**COMPLET CONTROL**  
**COMMANDE COMPLET**  
**MANDO ENTERO**  
**KOMPLET ANTRIEB**



**i** = info - stop 2 sec.    ★ = new part



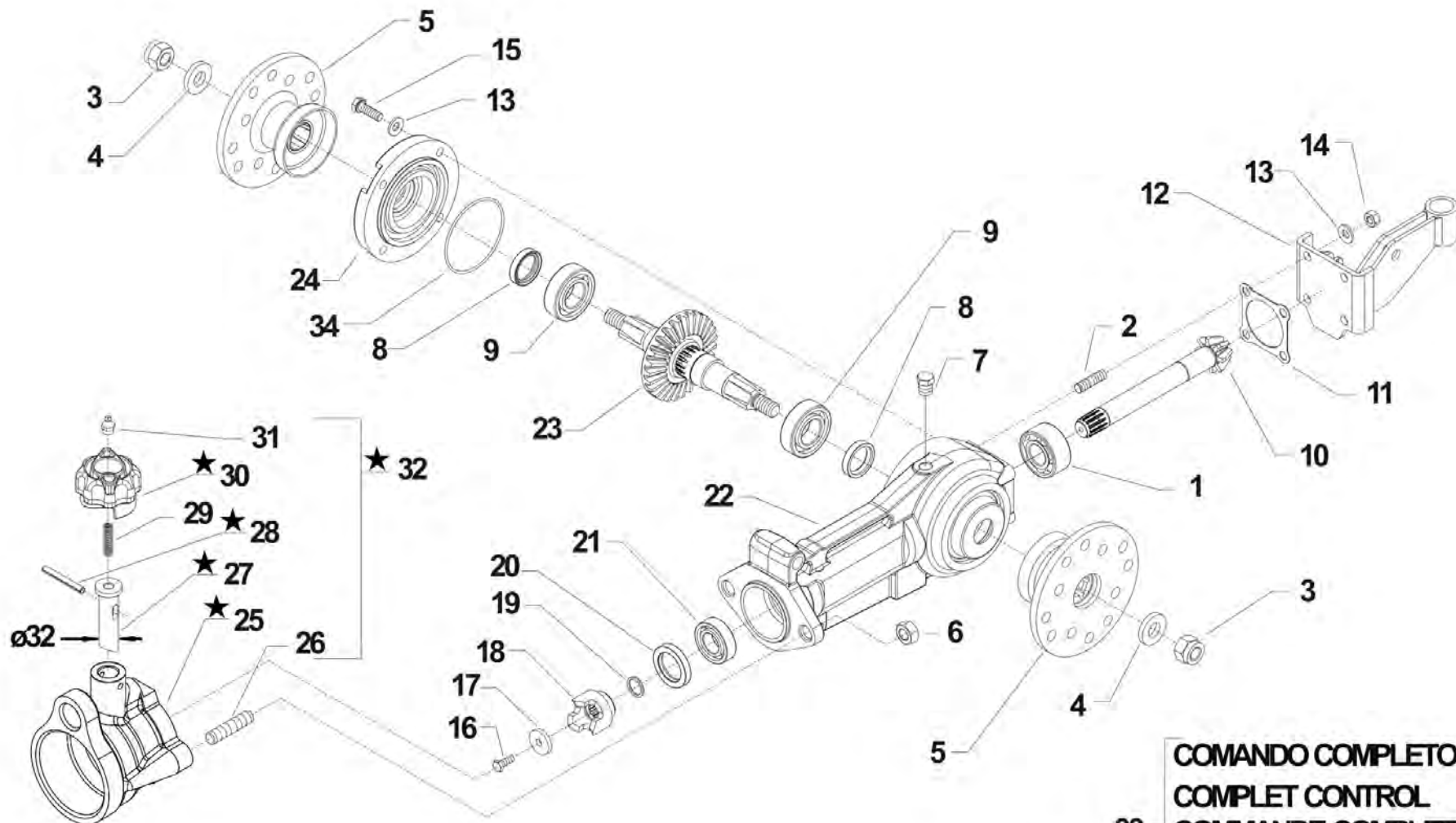
| Pos. | Id          | Q.ty | Description                        | Note |
|------|-------------|------|------------------------------------|------|
| 1    | F0812640050 |      | BEARING 3204 (20x47x20,60)         |      |
| 2    | 31312078    |      | STUD BOLT M8X32X14X14              |      |
| 3    | 31241141    |      | SELFLOCK NUT M14 6S                |      |
| 4    | 56148438    |      | WASHER 15,0x31/5                   |      |
| 5    | 590C0102N   |      | BLADE HOLDER FLANGE                |      |
| 6    | 31241124    |      | SELFLOCK NUT M12x1,25              |      |
| 7    | 30040001    |      | PLUG 1/4 UNI 364                   |      |
| 8    | 38202001    |      | OIL SEAL 25X35X7                   |      |
| 9    | 37111255    |      | BEARING 6205 (25X52X15)            |      |
| 10   | 52459230    |      | BEVEL PINION Z8x185                |      |
| 11   | 58049859    |      | GASKET                             |      |
| 12   | 590C0104N   |      | REAR COVER                         |      |
| 13   | 31421083    |      | WASHER                             |      |
| 14   | 31241085    |      | SELFLOCK NUT M8 6S                 |      |
| 15   | 31112151    |      | SCREW TE M8X25 UNI 5739 8G         |      |
| 16   | 31112090    |      | SCREW TE M6X16 UNI 5739 8G         |      |
| 17   | 56142291    |      | WASHER 7,0x25/4                    |      |
| 18   | 56458941    |      | COUPLING D=20                      |      |
| 19   | 38111554    |      | O-RING 3062 (15,54X2,62)           |      |
| 20   | 38212842    |      | OIL SEAL 28X42X7                   |      |
| 21   | 37111200    |      | BEARING 6004 (20X42X12)            |      |
| 22   | 51259234N   |      | BODY                               |      |
| 23   | 59048408    |      | GEARWHEELSHAFT Z=27                |      |
| 24   | 51148428N   |      | FLANGE 25                          |      |
| 25   | 51156710N   |      | ATTACCO ATTREZZI 750/2 mr          |      |
| 26   | 31312124    |      | STUD BOLT 52XM12X1,25X22XM12X22 8G |      |
| 27   | 561C0013Z   |      | STAKE                              |      |
| 28   | 34213065    |      | ROLL PIN                           |      |
| 29   | 58056646    |      | SPRING 8KG                         |      |




| Pos. | Id       | Q.ty | Description                 | Note |
|------|----------|------|-----------------------------|------|
| 30   | 552C0017 |      | KNOB                        |      |
| 31   | 30000001 |      | LUBRICATOR M10              |      |
| 32   | 922C0119 |      | BUSHING FOR 750             |      |
| 33   | 592C0118 |      | UNIT                        |      |
| 34   | 38118857 |      | O-RING OR 3350 (88,57X2,62) |      |







33  
**COMANDO COMPLETO**  
**COMPLET CONTROL**  
**COMMANDE COMPLET**  
**MANDO ENTERO**  
**KOMPLET ANTRIEB**

 **i** = info - stop 2 sec. ★ = new part

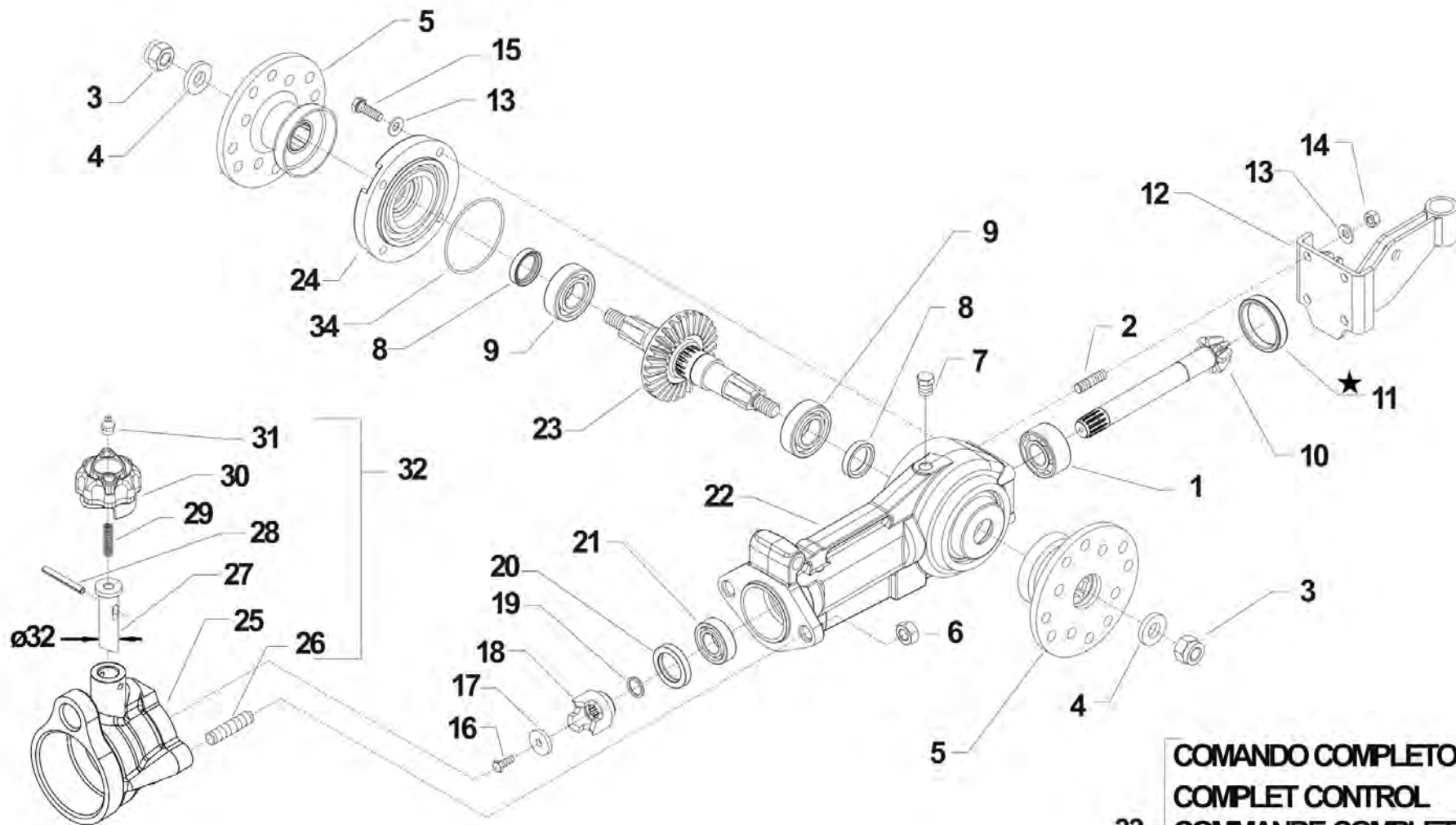


| Pos. | Id          | Q.ty | Description                        | Note |
|------|-------------|------|------------------------------------|------|
| 1    | F0812640050 |      | BEARING 3204 (20x47x20,60)         |      |
| 2    | 31312078    |      | STUD BOLT M8X32X14X14              |      |
| 3    | 31241141    |      | SELFLOCK NUT M14 6S                |      |
| 4    | 56148438    |      | WASHER 15,0x31/5                   |      |
| 5    | 590C0102N   |      | BLADE HOLDER FLANGE                |      |
| 6    | 31241124    |      | SELFLOCK NUT M12x1,25              |      |
| 7    | 30040001    |      | PLUG 1/4 UNI 364                   |      |
| 8    | 38202001    |      | OIL SEAL 25X35X7                   |      |
| 9    | 37111255    |      | BEARING 6205 (25X52X15)            |      |
| 10   | 52459230    |      | BEVEL PINION Z8x185                |      |
| 11   | 58049859    |      | GASKET                             |      |
| 12   | 590C0104N   |      | REAR COVER                         |      |
| 13   | 31421083    |      | WASHER                             |      |
| 14   | 31241085    |      | SELFLOCK NUT M8 6S                 |      |
| 15   | 31112151    |      | SCREW TE M8X25 UNI 5739 8G         |      |
| 16   | 31112090    |      | SCREW TE M6X16 UNI 5739 8G         |      |
| 17   | 56142291    |      | WASHER 7,0x25/4                    |      |
| 18   | 56458941    |      | COUPLING D=20                      |      |
| 19   | 38111554    |      | O-RING 3062 (15,54X2,62)           |      |
| 20   | 38212842    |      | OIL SEAL 28X42X7                   |      |
| 21   | 37111200    |      | BEARING 6004 (20X42X12)            |      |
| 22   | 51259234N   |      | BODY                               |      |
| 23   | 59048408    |      | GEARWHEELSHAFT Z=27                |      |
| 24   | 51148428N   |      | FLANGE 25                          |      |
| 25   | 511C0072N   |      | CONNECTION                         |      |
| 26   | 31312124    |      | STUD BOLT 52XM12X1,25X22XM12X22 8G |      |
| 27   | 561C0064Z   |      | STAKE                              |      |
| 28   | 34213066    |      | ROLL PIN                           |      |
| 29   | 58056646    |      | SPRING 8KG                         |      |



| Pos. | Id       | Q.ty | Description                 | Note              |
|------|----------|------|-----------------------------|-------------------|
| 30   | 552C0062 |      | KNOB                        |                   |
| 31   | 30000001 |      | LUBRICATOR M10              |                   |
| 32   | 922C0071 |      | CONNECTING SLEEVE           | REPLACES 922C0019 |
| 33   | 592C0118 |      | UNIT                        |                   |
| 34   | 38118857 |      | O-RING OR 3350 (88,57X2,62) |                   |





**COMANDO COMPLETO**  
**COMPLET CONTROL**  
**COMMANDE COMPLET**  
**MANDO ENTERO**  
**KOMPLET ANTRIEB**

33



**i** = info - stop 2 sec. ★ = new part

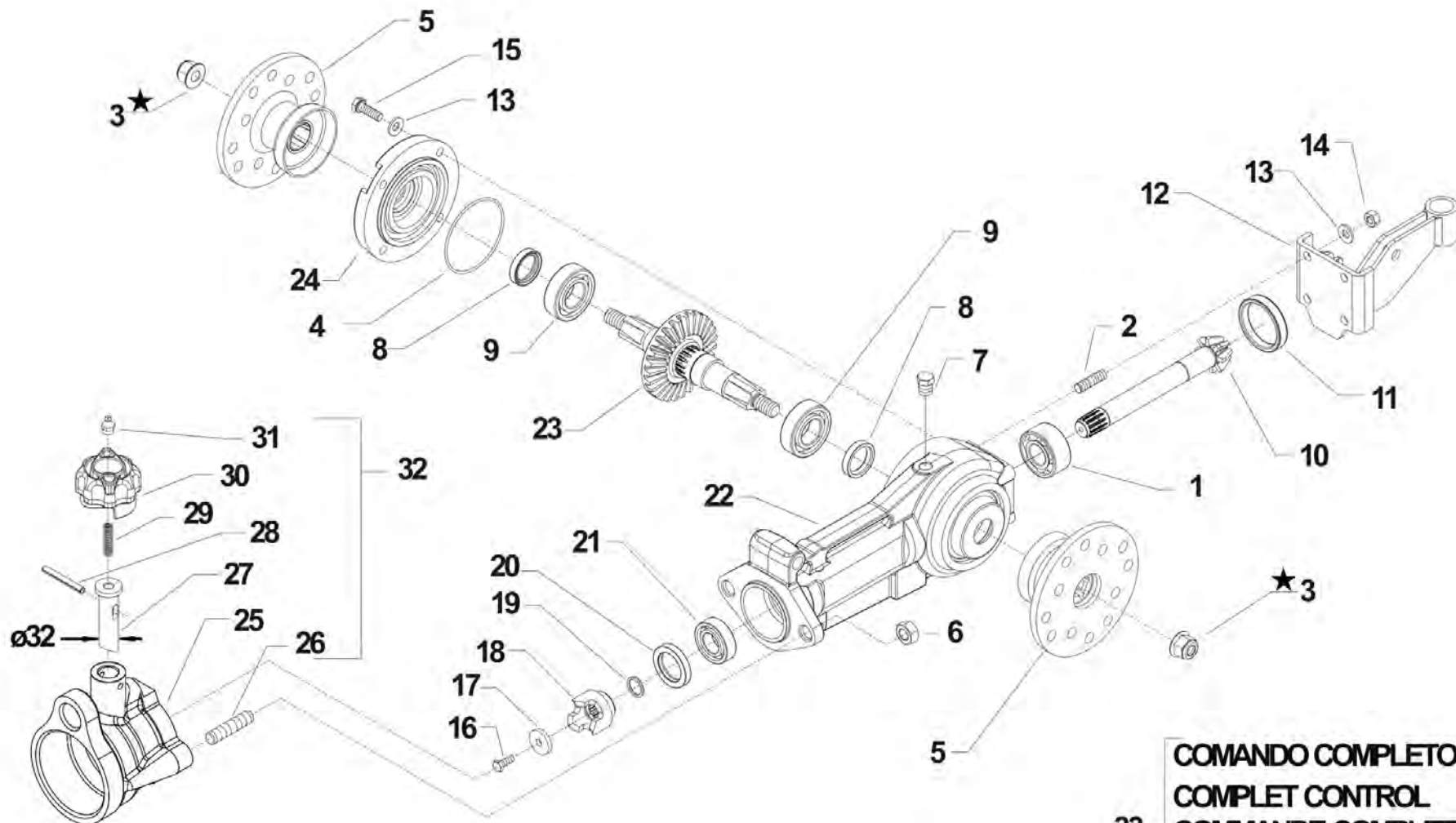


| Pos. | Id          | Q.ty | Description                        | Note |
|------|-------------|------|------------------------------------|------|
| 1    | F0812640050 |      | BEARING 3204 (20x47x20,60)         |      |
| 2    | 31312078    |      | STUD BOLT M8X32X14X14              |      |
| 3    | 31241141    |      | SELFLOCK NUT M14 6S                |      |
| 4    | 56148438    |      | WASHER 15,0x31/5                   |      |
| 5    | 590C0102N   |      | BLADE HOLDER FLANGE                |      |
| 6    | 31241124    |      | SELFLOCK NUT M12x1,25              |      |
| 7    | 30040001    |      | PLUG 1/4 UNI 364                   |      |
| 8    | 38202001    |      | OIL SEAL 25X35X7                   |      |
| 9    | 37111255    |      | BEARING 6205 (25X52X15)            |      |
| 10   | 52459230    |      | BEVEL PINION Z8x185                |      |
| 11   | 30000072    |      | SMALL CAP CC 50X10                 |      |
| 12   | 590C0104N   |      | REAR COVER                         |      |
| 13   | 31421083    |      | WASHER                             |      |
| 14   | 31241085    |      | SELFLOCK NUT M8 6S                 |      |
| 15   | 31112151    |      | SCREW TE M8X25 UNI 5739 8G         |      |
| 16   | 31112090    |      | SCREW TE M6X16 UNI 5739 8G         |      |
| 17   | 56142291    |      | WASHER 7,0x25/4                    |      |
| 18   | 56458941    |      | COUPLING D=20                      |      |
| 19   | 38111554    |      | O-RING 3062 (15,54X2,62)           |      |
| 20   | 38212842    |      | OIL SEAL 28X42X7                   |      |
| 21   | 37111200    |      | BEARING 6004 (20X42X12)            |      |
| 22   | 51259234N   |      | BODY                               |      |
| 23   | 59048408    |      | GEARWHEELSHAFT Z=27                |      |
| 24   | 51148428N   |      | FLANGE 25                          |      |
| 25   | 511C0072N   |      | CONNECTION                         |      |
| 26   | 31312124    |      | STUD BOLT 52XM12X1,25X22XM12X22 8G |      |
| 27   | 561C0064Z   |      | STAKE                              |      |
| 28   | 34213066    |      | ROLL PIN                           |      |
| 29   | 58056646    |      | SPRING 8KG                         |      |



| Pos. | Id       | Q.ty | Description                 | Note |
|------|----------|------|-----------------------------|------|
| 30   | 552C0062 |      | KNOB                        |      |
| 31   | 30000001 |      | LUBRICATOR M10              |      |
| 32   | 922C0071 |      | CONNECTING SLEEVE           |      |
| 33   | 592C0118 |      | UNIT                        |      |
| 34   | 38118857 |      | O-RING OR 3350 (88,57X2,62) |      |





**COMANDO COMPLETO**  
**COMPLET CONTROL**  
**COMMANDE COMPLET**  
**MANDO ENTERO**  
**KOMPLET ANTRIEB**



**i** = info - stop 2 sec.    ★ = new part



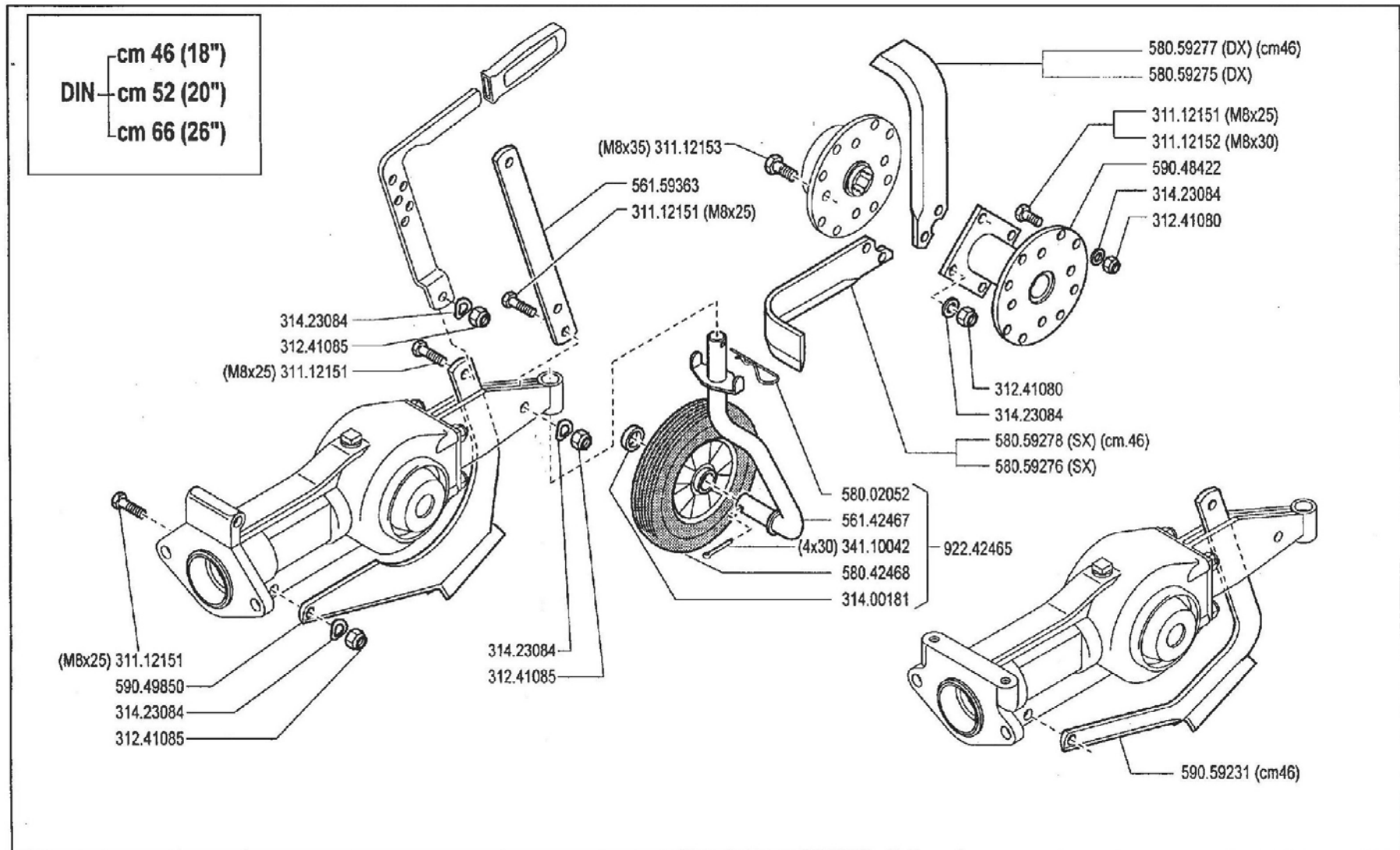
| Pos. | Id          | Q.ty | Description                        | Note                         |
|------|-------------|------|------------------------------------|------------------------------|
| 1    | F0812640050 |      | BEARING 3204 (20x47x20,60)         |                              |
| 2    | 31312078    |      | STUD BOLT M8X32X14X14              |                              |
| 3    | 31241145    |      | S/LOCK NUT M14 FL/NY DIN 6927      | REPLACES 31241145 + 56148438 |
| 4    | 38118857    |      | O-RING OR 3350 (88,57X2,62)        |                              |
| 5    | 590C0102N   |      | BLADE HOLDER FLANGE                |                              |
| 6    | 31241124    |      | SELFLOCK NUT M12x1,25              |                              |
| 7    | 30040001    |      | PLUG 1/4 UNI 364                   |                              |
| 8    | 38202001    |      | OIL SEAL 25X35X7                   |                              |
| 9    | 37111255    |      | BEARING 6205 (25X52X15)            |                              |
| 10   | 52459230    |      | BEVEL PINION Z8x185                |                              |
| 11   | 30000072    |      | SMALL CAP CC 50X10                 |                              |
| 12   | 590C0104N   |      | REAR COVER                         |                              |
| 13   | 31421083    |      | WASHER                             |                              |
| 14   | 31241085    |      | SELFLOCK NUT M8 6S                 |                              |
| 15   | 31112151    |      | SCREW TE M8X25 UNI 5739 8G         |                              |
| 16   | 31112090    |      | SCREW TE M6X16 UNI 5739 8G         |                              |
| 17   | 56142291    |      | WASHER 7,0x25/4                    |                              |
| 18   | 56458941    |      | COUPLING D=20                      |                              |
| 19   | 38111554    |      | O-RING 3062 (15,54X2,62)           |                              |
| 20   | 38212842    |      | OIL SEAL 28X42X7                   |                              |
| 21   | 37111200    |      | BEARING 6004 (20X42X12)            |                              |
| 22   | 51259234N   |      | BODY                               |                              |
| 23   | 59048408    |      | GEARWHEELSHAFT Z=27                |                              |
| 24   | 51148428N   |      | FLANGE 25                          |                              |
| 25   | 511C0072N   |      | CONNECTION                         |                              |
| 26   | 31312124    |      | STUD BOLT 52XM12X1,25X22XM12X22 8G |                              |
| 27   | 561C0064Z   |      | STAKE                              |                              |
| 28   | 34213066    |      | ROLL PIN                           |                              |
| 29   | 58056646    |      | SPRING 8KG                         |                              |





| Pos. | Id       | Q.ty | Description       | Note |
|------|----------|------|-------------------|------|
| 30   | 552C0062 |      | KNOB              |      |
| 31   | 30000001 |      | LUBRICATOR M10    |      |
| 32   | 922C0071 |      | CONNECTING SLEEVE |      |
| 33   | 592C0118 |      | UNIT              |      |





ATTREZZI ED ACCESSORI  
 IMPLEMENTS AND ACCESSORIES  
 OUTILS ET ACCESSOIRES  
 APEROS Y ACCESORIOS  
 ARBEITSGERÄTE UND ZUBEHÖR

**600/700** serie 94

**COLTELLI FRESA**

CUCHILLAS FRESADORA  
 COUTEAUX FRAISE

ROTARY HOE KNIVES  
 FRÄSERMESSER

DALL'ATTREZZO  
 DESDE EL APERO  
 DE L'OUTIL  
 FROM IMPLEMENT  
 AB ARBEITSGERÄT

N.

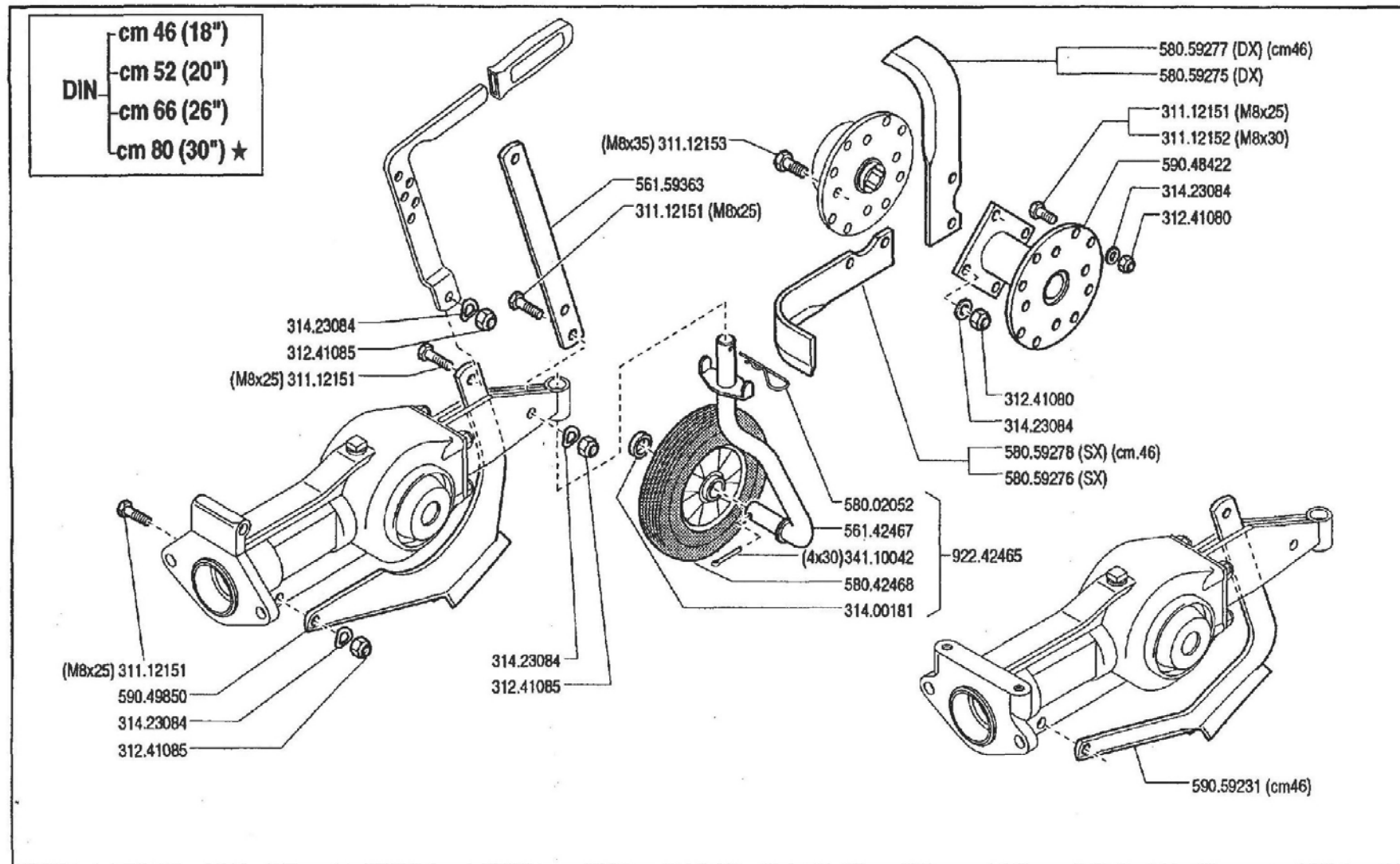
**08.00**


02.05.1994



| Pos.     | Id       | Q.ty | Description                | Note |
|----------|----------|------|----------------------------|------|
| 31112151 | 31112151 |      | SCREW TE M8X25 UNI 5739 8G |      |
| 31112152 | 31112152 |      | SCREW TE M8X30 UNI 5739 8G |      |
| 31112153 | 31112153 |      | SCREW TE M8X35 UNI 5739 8G |      |
| 31241080 | 31241080 |      | HEXAGON SELFLOCK NUT M8    |      |
| 31241085 | 31241085 |      | SELFLOCK NUT M8 6S         |      |
| 31400181 | 31400181 |      | WASHER 23x35/3             |      |
| 31423084 | 31423084 |      | SPRING WASHER 8,4          |      |
| 34110042 | 34110042 |      | SPLIT PIN A4X30 UNI 1336   |      |
| 56142467 | 56142467 |      | WHEEL SUPPORT PIN          |      |
| 56159363 | 56159363 |      | HOOD ROD                   |      |
| 58002052 | 58002052 |      | PIN                        |      |
| 58042468 | 58042468 |      | RUBBER WHEEL HOLE D 22     |      |
| 58059275 | 58059275 |      | RIGHT KNIFE                |      |
| 58059276 | 58059276 |      | LEFT KNIFE                 |      |
| 58059277 | 58059277 |      | RIGHT KNIFE                |      |
| 58059278 | 58059278 |      | LEFT KNIFE                 |      |
| 59048422 | 59048422 |      | SPACER                     |      |
| 59049850 | 59049850 |      | KNIFE                      |      |
| 59059231 | 59059231 |      | KNIFE                      |      |
| 92242465 | 92242465 |      | ROTARY HOE TRAVEL WHEEL    |      |



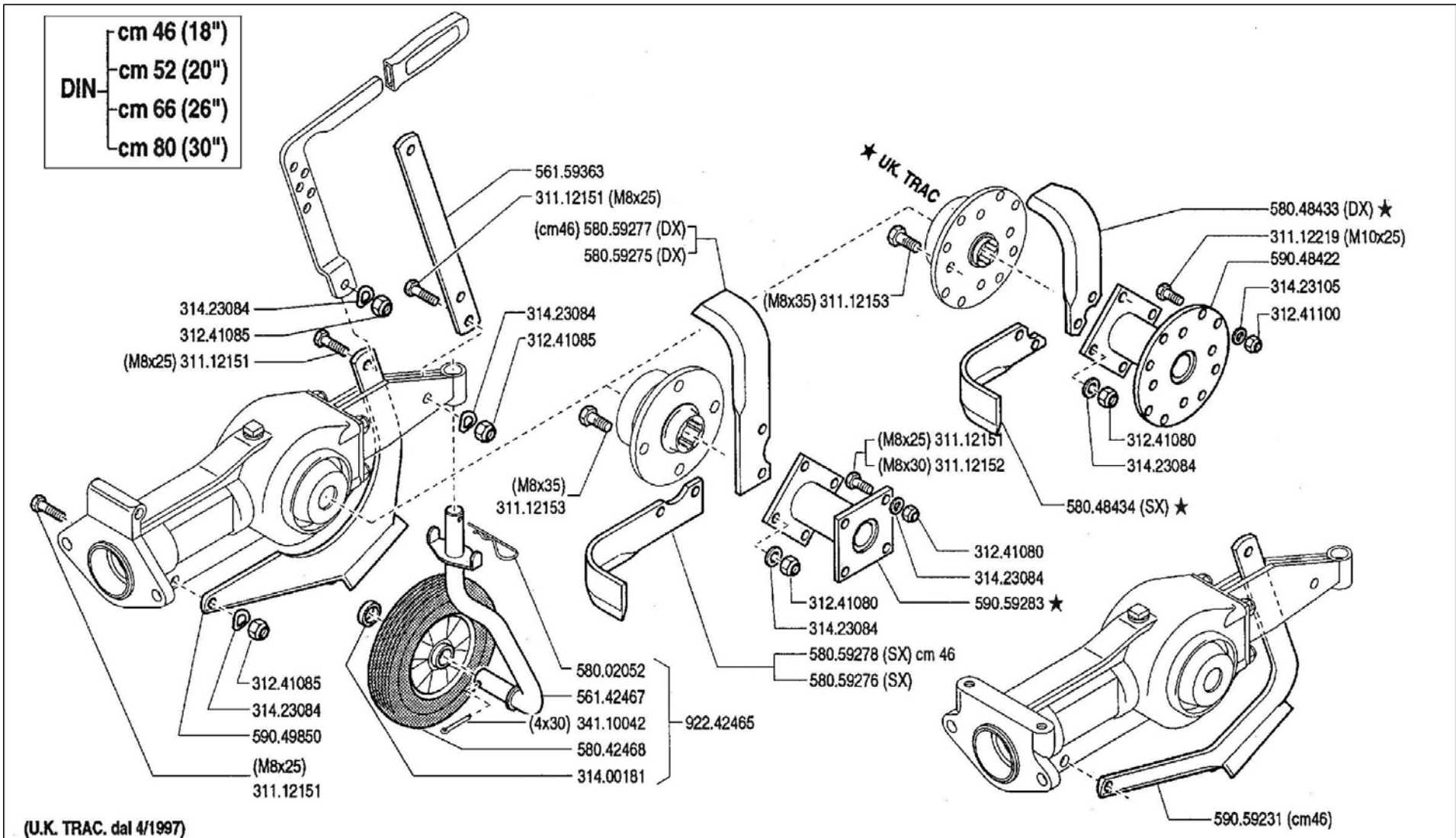


|   |   |                                |  |  |   |   |
|---|---|--------------------------------|--|--|---|---|
|  | <b>ATTREZZI ED ACCESSORI</b><br>IMPLEMENTS AND ACCESSORIES<br>OUTILS ET ACCESSOIRES<br>APEROS Y ACCESORIOS<br>ARBEITSGERÄTE UND ZUBEHÖR | <b>600/700</b> serie <b>94</b> | <b>COLTELLI FRESA</b><br>CUCHILLAS FRESADORA      ROTARY HOE KNIVES<br>COUTEAUX FRAISE          FRÄSERMESSER | DALL'ATTREZZO<br>DESDE EL APERO<br>DE L'OUTIL<br>FROM IMPLEMENT<br>AB ARBEITSGERÄT | AGGIORNAMENTO<br>REVISION<br>MISE A JOUR<br>APLAZAMIENTO<br>ANPASSUNG | <b>08.01</b><br><br><br><br><b>01.01.1996</b> |
|   |   |                                |  | ★  | N.  |   |



| Pos.     | Id       | Q.ty | Description                | Note |
|----------|----------|------|----------------------------|------|
| 31112151 | 31112151 |      | SCREW TE M8X25 UNI 5739 8G |      |
| 31112152 | 31112152 |      | SCREW TE M8X30 UNI 5739 8G |      |
| 31112153 | 31112153 |      | SCREW TE M8X35 UNI 5739 8G |      |
| 31241080 | 31241080 |      | HEXAGON SELFLOCK NUT M8    |      |
| 31241085 | 31241085 |      | SELFLOCK NUT M8 6S         |      |
| 31400181 | 31400181 |      | WASHER 23x35/3             |      |
| 31423084 | 31423084 |      | SPRING WASHER 8,4          |      |
| 34110042 | 34110042 |      | SPLIT PIN A4X30 UNI 1336   |      |
| 56142467 | 56142467 |      | WHEEL SUPPORT PIN          |      |
| 56159363 | 56159363 |      | HOOD ROD                   |      |
| 58002052 | 58002052 |      | PIN                        |      |
| 58042468 | 58042468 |      | RUBBER WHEEL HOLE D 22     |      |
| 58059275 | 58059275 |      | RIGHT KNIFE                |      |
| 58059276 | 58059276 |      | LEFT KNIFE                 |      |
| 58059277 | 58059277 |      | RIGHT KNIFE                |      |
| 58059278 | 58059278 |      | LEFT KNIFE                 |      |
| 59048422 | 59048422 |      | SPACER                     |      |
| 59049850 | 59049850 |      | KNIFE                      |      |
| 59059231 | 59059231 |      | KNIFE                      |      |
| 92242465 | 92242465 |      | ROTARY HOE TRAVEL WHEEL    |      |





(U.K. TRAC. dal 4/1997)



ATTREZZI ED ACCESSORI  
IMPLEMENTS AND ACCESSORIES  
OUTILS ET ACCESSOIRES  
APAROS Y ACCESORIOS  
ARBEITSGERÄTE UND ZUBEHÖR

600/700 serie 94

COLTELLI FRESA

ROTARY HOE KNIVES  
CUCHILLAS FRESADORA

COUTEAUX FRAISE  
FRÄSERMESSER

DALL' ATTREZZO  
DESDE EL AFERRO  
DE L' OUTIL  
FROM VOLEVENT  
AB ARBEITSGERÄT

★ N.

|               |
|---------------|
| AGGIORNAMENTO |
| REVISION      |
| MISE A JOUR   |
| APLAZAMIENTO  |
| ANPASSUNG     |

08

Mod  
02

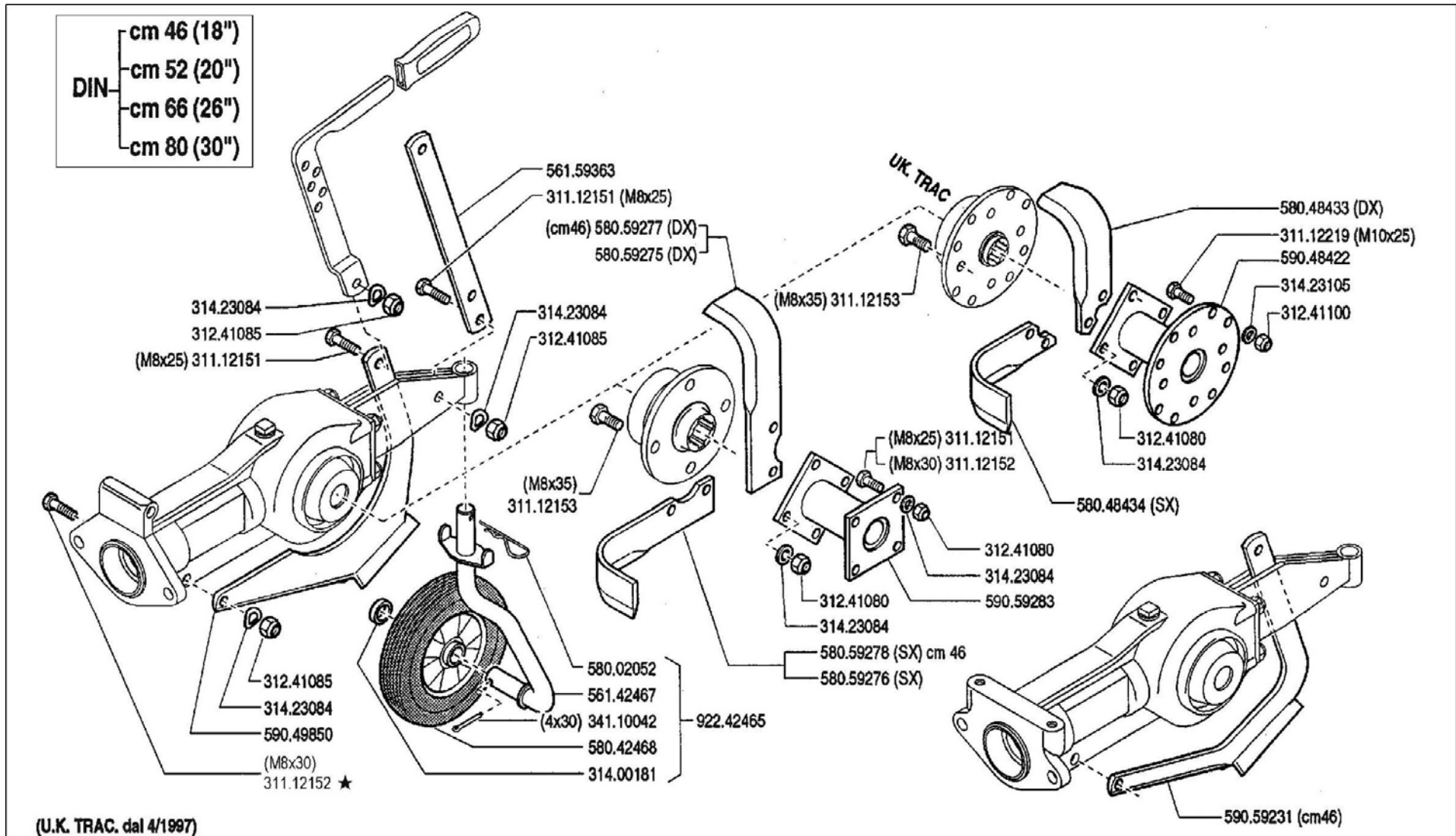
10/1997

2ENNE



| Pos.     | Id       | Q.ty | Description                | Note |
|----------|----------|------|----------------------------|------|
| 31112151 | 31112151 |      | SCREW TE M8X25 UNI 5739 8G |      |
| 31112152 | 31112152 |      | SCREW TE M8X30 UNI 5739 8G |      |
| 31112153 | 31112153 |      | SCREW TE M8X35 UNI 5739 8G |      |
| 31112219 | 31112219 |      | SCREW TE M10X25 UNI 5739   |      |
| 31241080 | 31241080 |      | HEXAGON SELFLOCK NUT M8    |      |
| 31241085 | 31241085 |      | SELFLOCK NUT M8 6S         |      |
| 31241100 | 31241100 |      | SELFLOCK HEXAGON NUT M10   |      |
| 31400181 | 31400181 |      | WASHER 23x35/3             |      |
| 31423084 | 31423084 |      | SPRING WASHER 8,4          |      |
| 31423105 | 31423105 |      | SPRING WASHER 10,5         |      |
| 34110042 | 34110042 |      | SPLIT PIN A4X30 UNI 1336   |      |
| 56142467 | 56142467 |      | WHEEL SUPPORT PIN          |      |
| 56159363 | 56159363 |      | HOOD ROD                   |      |
| 58002052 | 58002052 |      | PIN                        |      |
| 58042468 | 58042468 |      | RUBBER WHEEL HOLE D 22     |      |
| 58048433 | 58048433 |      | RIGHT KNIFE                |      |
| 58048434 | 58048434 |      | LEFT KNIFE                 |      |
| 58059275 | 58059275 |      | RIGHT KNIFE                |      |
| 58059276 | 58059276 |      | LEFT KNIFE                 |      |
| 58059277 | 58059277 |      | RIGHT KNIFE                |      |
| 58059278 | 58059278 |      | LEFT KNIFE                 |      |
| 59048422 | 59048422 |      | SPACER                     |      |
| 59049850 | 59049850 |      | KNIFE                      |      |
| 59059231 | 59059231 |      | KNIFE                      |      |
| 59059283 | 59059283 |      | SPACER                     |      |
| 92242465 | 92242465 |      | ROTARY HOE TRAVEL WHEEL    |      |





(U.K. TRAC. dal 4/1997)



ATTREZZI ED ACCESSORI  
 IMPLEMENTS AND ACCESSORIES  
 OUTILS ET ACCESSOIRES  
 APAROS Y ACCESORIOS  
 ARBEITSGERÄTE UND ZUBEHÖR

600/700 serie 94

COLTELLI FRESA

ROTARY HOE KNIVES  
 CUCHILLAS FRESADORA

COUTEAUX FRAISE  
 FRÄSERMESSER

DALL' ATTREZZO  
 DESDE EL AFERRO  
 DE L' OUTIL  
 FROM VOLEVENT  
 AB ARBEITSGERÄT

★ N.

|               |
|---------------|
| AGGIORNAMENTO |
| REVISION      |
| MISE A JOUR   |
| APLAZAMIENTO  |
| ANPASSUNG     |

|      |         |   |
|------|---------|---|
| Rev. | 08      | 3 |
|      | 12/2003 |   |

2ENNE

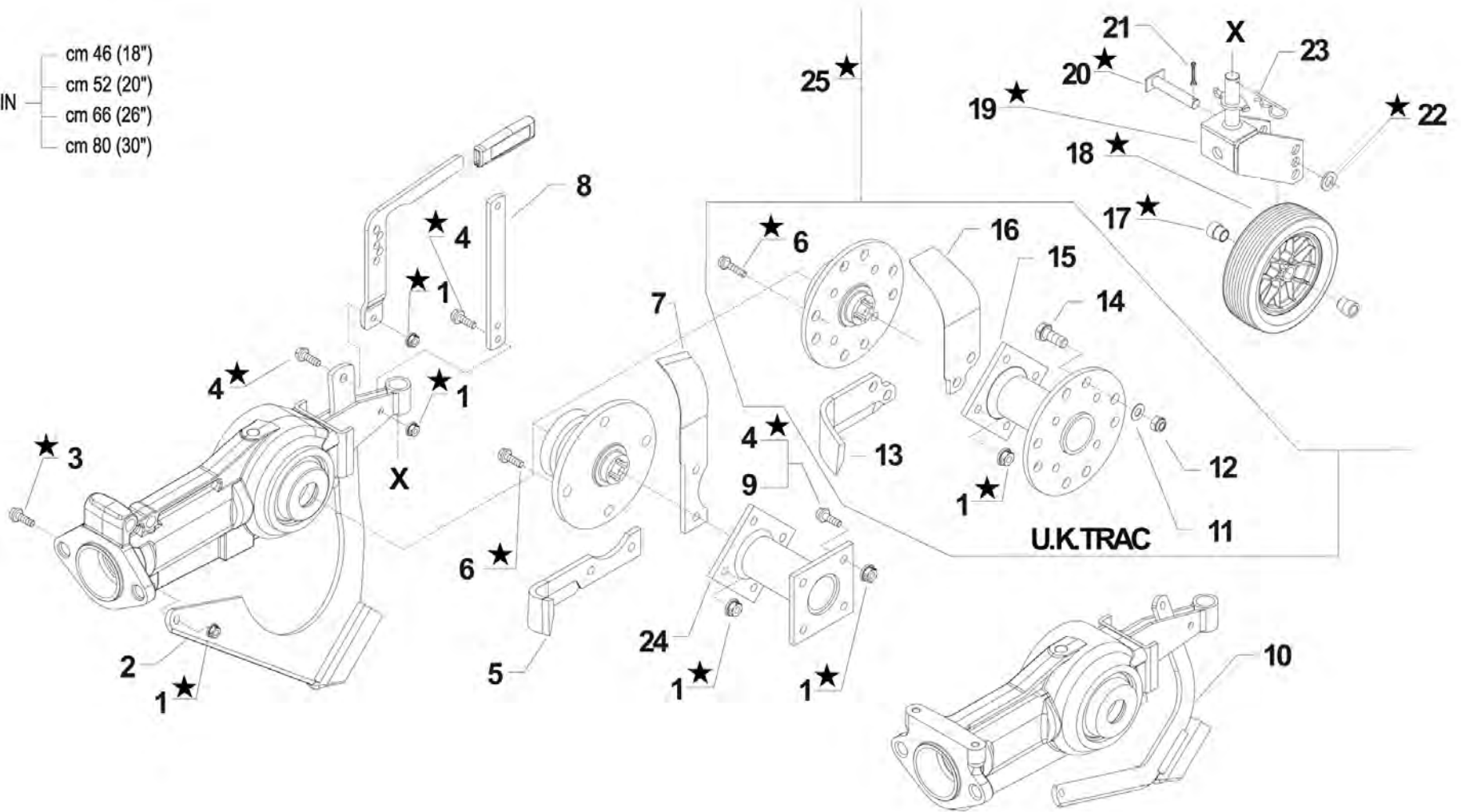




| Pos.     | Id       | Q.ty | Description                | Note |
|----------|----------|------|----------------------------|------|
| 31112151 | 31112151 |      | SCREW TE M8X25 UNI 5739 8G |      |
| 31112152 | 31112152 |      | SCREW TE M8X30 UNI 5739 8G |      |
| 31112153 | 31112153 |      | SCREW TE M8X35 UNI 5739 8G |      |
| 31112219 | 31112219 |      | SCREW TE M10X25 UNI 5739   |      |
| 31241080 | 31241080 |      | HEXAGON SELFLOCK NUT M8    |      |
| 31241085 | 31241085 |      | SELFLOCK NUT M8 6S         |      |
| 31241100 | 31241100 |      | SELFLOCK HEXAGON NUT M10   |      |
| 31400181 | 31400181 |      | WASHER 23x35/3             |      |
| 31423084 | 31423084 |      | SPRING WASHER 8,4          |      |
| 31423105 | 31423105 |      | SPRING WASHER 10,5         |      |
| 34110042 | 34110042 |      | SPLIT PIN A4X30 UNI 1336   |      |
| 56142467 | 56142467 |      | WHEEL SUPPORT PIN          |      |
| 56159363 | 56159363 |      | HOOD ROD                   |      |
| 58002052 | 58002052 |      | PIN                        |      |
| 58042468 | 58042468 |      | RUBBER WHEEL HOLE D 22     |      |
| 58048433 | 58048433 |      | RIGHT KNIFE                |      |
| 58048434 | 58048434 |      | LEFT KNIFE                 |      |
| 58059275 | 58059275 |      | RIGHT KNIFE                |      |
| 58059276 | 58059276 |      | LEFT KNIFE                 |      |
| 58059277 | 58059277 |      | RIGHT KNIFE                |      |
| 58059278 | 58059278 |      | LEFT KNIFE                 |      |
| 59048422 | 59048422 |      | SPACER                     |      |
| 59049850 | 59049850 |      | KNIFE                      |      |
| 59059231 | 59059231 |      | KNIFE                      |      |
| 59059283 | 59059283 |      | SPACER                     |      |
| 92242465 | 92242465 |      | ROTARY HOE TRAVEL WHEEL    |      |



- DIN
- cm 46 (18")
  - cm 52 (20")
  - cm 66 (26")
  - cm 80 (30")

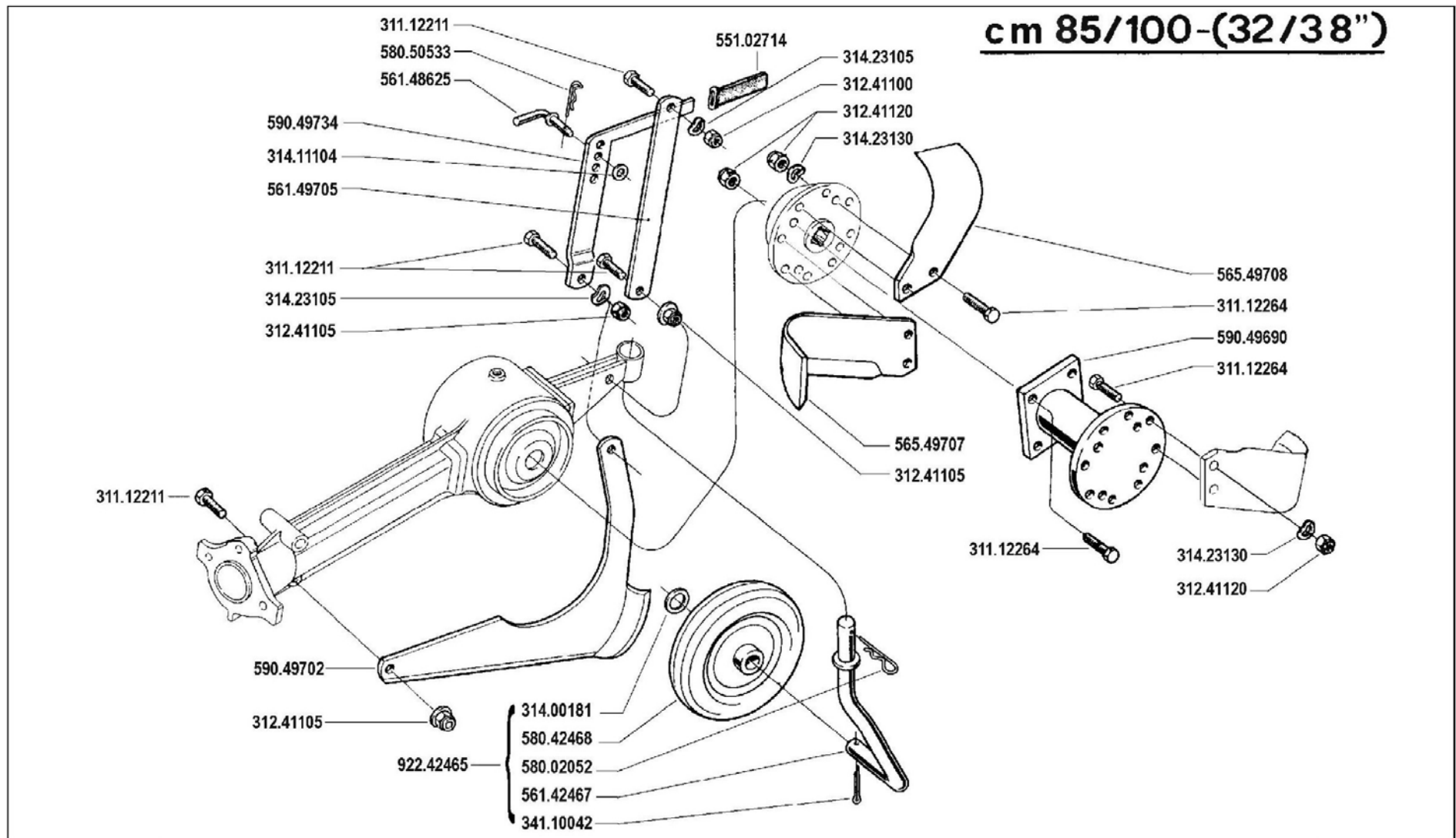


**i** = info - stop 2 sec. ★ = new part



| Pos. | Id        | Q.ty | Description                    | Note |
|------|-----------|------|--------------------------------|------|
| 1    | 31241084  |      | SELFLOCK NUT M8 6S             |      |
| 2    | 59049850N |      | KNIFE                          |      |
| 3    | 31112167  |      | SCREW TE C/F M8X30 DIN 6921 8G |      |
| 4    | 31112166  |      | SCREW TE C/F M8X25 DIN 6921 8G |      |
| 5    | 58059276  |      | LEFT KNIFE                     |      |
| 5    | 58059278  |      | LEFT KNIFE                     |      |
| 6    | 31112165  |      | SCREW TE C/F M8X35 DIN 6921 8G |      |
| 7    | 58059275  |      | RIGHT KNIFE                    |      |
| 7    | 58059277  |      | RIGHT KNIFE                    |      |
| 8    | 56159363  |      | HOOD ROD                       |      |
| 9    | 31112152  |      | SCREW TE M8X30 UNI 5739 8G     |      |
| 10   | 59059231  |      | KNIFE                          |      |
| 11   | 31423105  |      | SPRING WASHER 10,5             |      |
| 12   | 31241100  |      | SELFLOCK HEXAGON NUT M10       |      |
| 13   | 58048434  |      | LEFT KNIFE                     |      |
| 14   | 31112219  |      | SCREW TE M10X25 UNI 5739       |      |
| 15   | 59048422  |      | SPACER                         |      |
| 16   | 58048433  |      | RIGHT KNIFE                    |      |
| 17   | 55247373  |      | BUSHING                        |      |
| 18   | 59047377  |      | WHEEL                          |      |
| 19   | 590C0026N |      | COMPLETE FORK                  |      |
| 20   | 59047370Z |      | WHEEL SPINDLE                  |      |
| 21   | 34110042  |      | SPLIT PIN A4X30 UNI 1336       |      |
| 22   | 31411170  |      | WASHER 17x30                   |      |
| 23   | 58002052  |      | PIN                            |      |
| 24   | 59059283  |      | SPACER                         |      |
| 25   | 922C0027  |      | ROTARY HOE TRANSPORT WHEEL     |      |





**cm 85/100-(32/38")**



ATTREZZI ED ACCESSORI  
 IMPLEMENTS AND ACCESSORIES  
 OUTILS ET ACCESSOIRES  
 APAROS Y ACCESORIOS  
 ARBEITSGERÄTE UND ZUBEHÖR

**600/700 serie 94**

**COLTELLI FRESA (746)**

ROTARY HOE KNIVES  
 CUCHILLAS FRESADORA

COUTEAUX FRAISE  
 FRÄSERMESSER

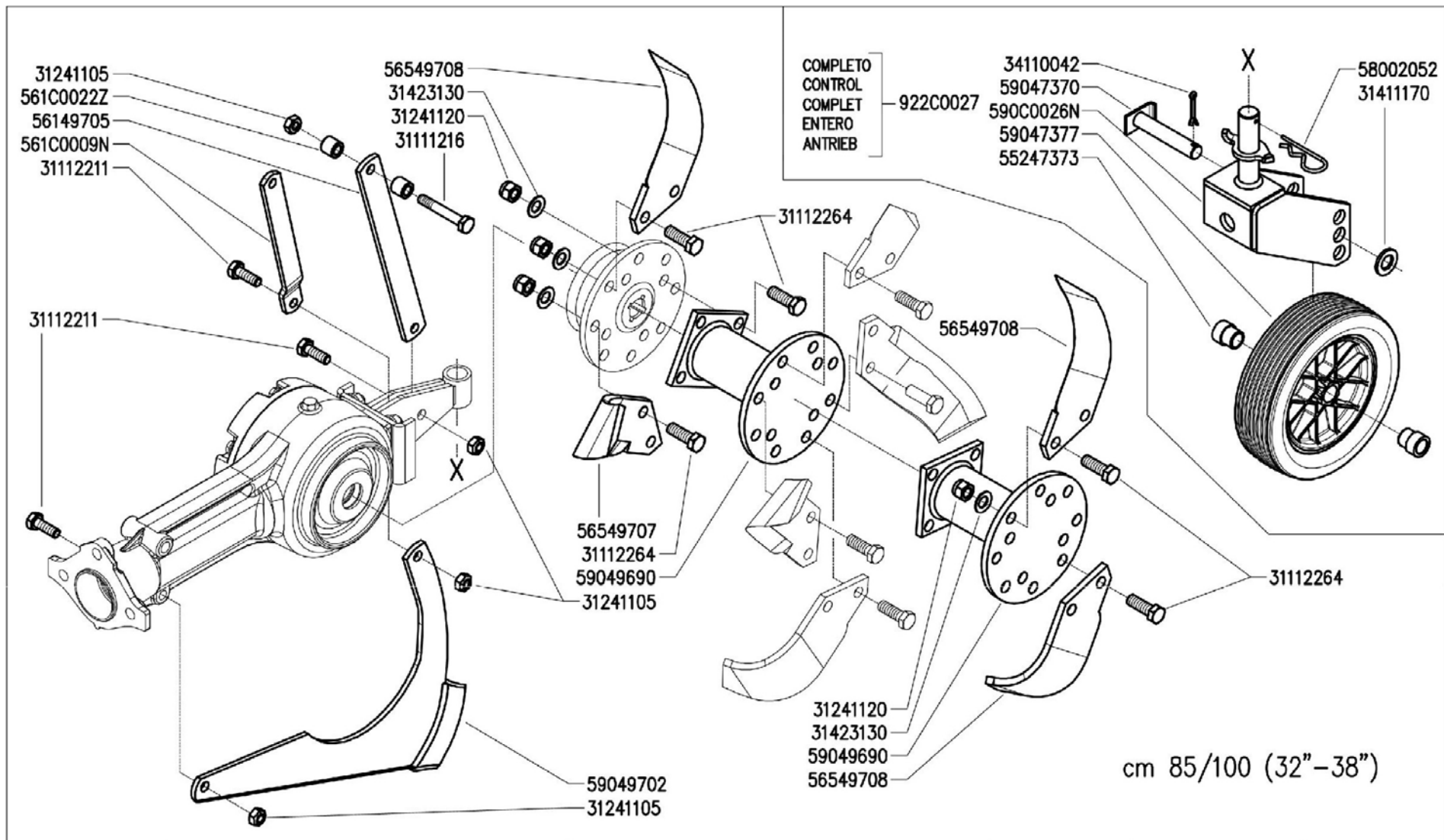
DALL' ATREZZO  
 DESDE E. AFERO  
 DE L' OUTIL  
 FROV IMPLIMENT  
 AB ARBEITSGERÄT

|    |        |   |    |
|----|--------|---|----|
| N. | 08     | A | 00 |
|    | 9/1999 |   |    |



| Pos.     | Id       | Q.ty | Description                   | Note |
|----------|----------|------|-------------------------------|------|
| 31112211 | 31112211 |      | SCREW TE M10X30 UNI 5739      |      |
| 31112264 | 31112264 |      | SCREW TE M12X35 UNI 5739      |      |
| 31241100 | 31241100 |      | SELFLOCK HEXAGON NUT M10      |      |
| 31241105 | 31241105 |      | SELFLOCK NUT M10              |      |
| 31241120 | 31241120 |      | SELFLOCK NUT M12              |      |
| 31400181 | 31400181 |      | WASHER 23x35/3                |      |
| 31411104 | 31411104 |      | WASHER 10,5x18                |      |
| 31423105 | 31423105 |      | SPRING WASHER 10,5            |      |
| 31423130 | 31423130 |      | SPRING WASHER EL 13 DIN 137-B |      |
| 34110042 | 34110042 |      | SPLIT PIN A4X30 UNI 1336      |      |
| 55102714 | 55102714 |      | FLAT KNOB                     |      |
| 56142467 | 56142467 |      | WHEEL SUPPORT PIN             |      |
| 56148625 | 56148625 |      | PIN                           |      |
| 56149705 | 56149705 |      | HOOD ROD                      |      |
| 56549707 | 56549707 |      | LEFT KNIFE                    |      |
| 56549708 | 56549708 |      | RIGHT KNIFE                   |      |
| 58002052 | 58002052 |      | PIN                           |      |
| 58042468 | 58042468 |      | RUBBER WHEEL HOLE D 22        |      |
| 58050533 | 58050533 |      | PIN                           |      |
| 59049690 | 59049690 |      | SPACER                        |      |
| 59049702 | 59049702 |      | KNIFE                         |      |
| 59049734 | 59049734 |      | ROD                           |      |
| 92242465 | 92242465 |      | ROTARY HOE TRAVEL WHEEL       |      |



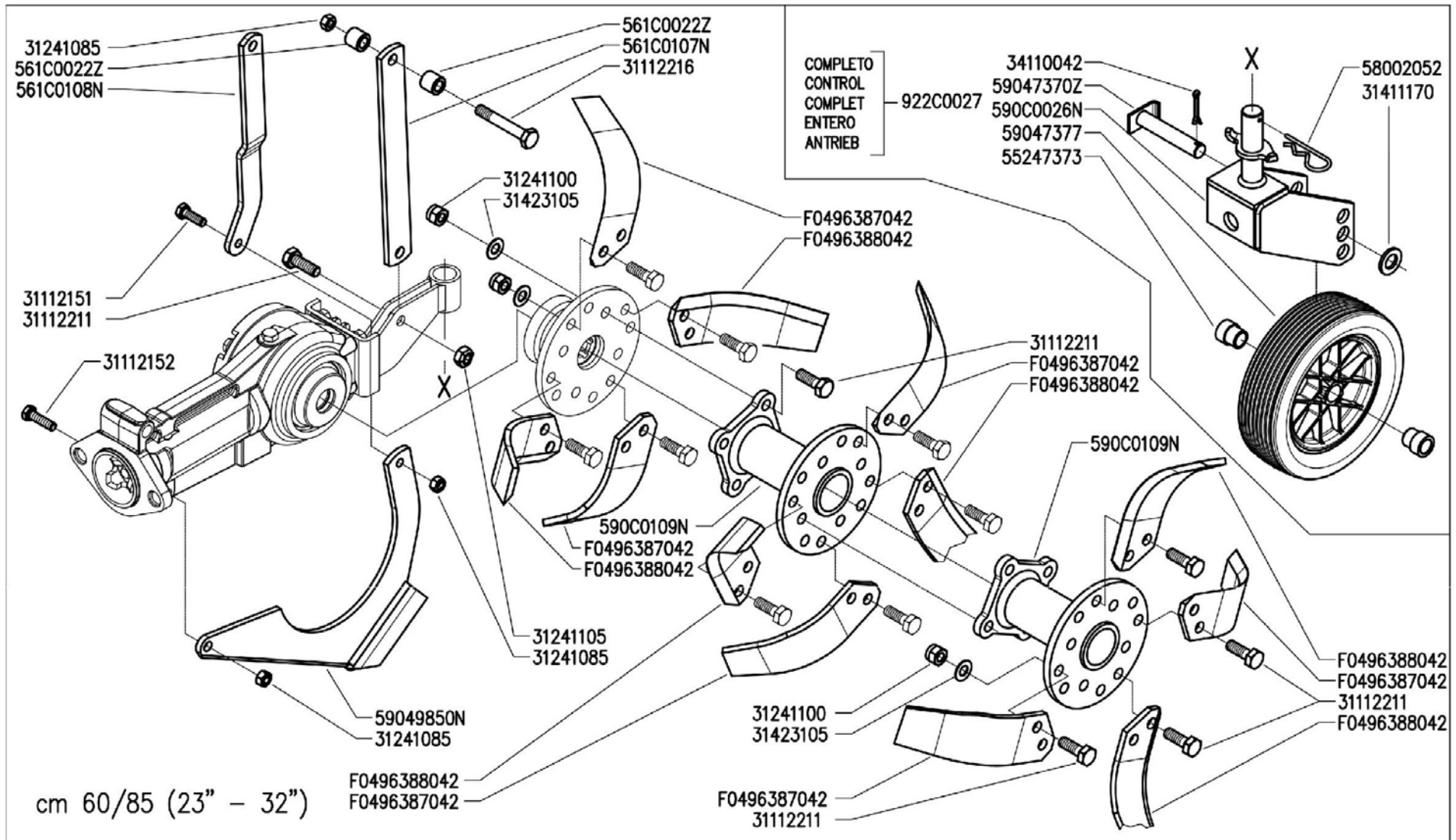


|   |  |                  |   |                                |   |        |
|---|--|------------------|---|--------------------------------|---|--------|
|  | ATTREZZI ED ACCESSORI<br>IMPLEMENTS AND ACCESSORIES<br>OUTILS ET ACCESSOIRES<br>APEROS Y ACCESORIOS<br>ARBEITSGERÄTE UND ZUBEHÖR | 600/700 serie 94 | <b>COLTELLI FRESA (750)</b>               |                                | DALL' ATTREZZO<br>DESDE EL APERO<br>DE L'OUTIL<br>FROM IMPLEMENT<br>AB ARBEITSGERÄT | Rev.   |
|   |  |                  | ROTARY HOE KNIVES<br>COUCHILLAS FRESADORA | COUTEAUX FRAISE<br>FRÄSEMESSER |   | 08 B 0 |
| N. 435813   |  |                  |   |                                | 04/2011   |        |



| Pos.      | Id        | Q.ty | Description                   | Note |
|-----------|-----------|------|-------------------------------|------|
| 31111216  | 31111216  | 1    | SCREW TE M10X70 UNI 5739 8G   |      |
| 31112211  | 31112211  | 1    | SCREW TE M10X30 UNI 5739      |      |
| 31112264  | 31112264  | 1    | SCREW TE M12X35 UNI 5739      |      |
| 31241105  | 31241105  | 1    | SELFLOCK NUT M10              |      |
| 31241120  | 31241120  | 1    | SELFLOCK NUT M12              |      |
| 31411170  | 31411170  | 1    | WASHER 17x30                  |      |
| 31423130  | 31423130  | 1    | SPRING WASHER EL 13 DIN 137-B |      |
| 34110042  | 34110042  | 1    | SPLIT PIN A4X30 UNI 1336      |      |
| 55247373  | 55247373  | 1    | BUSHING                       |      |
| 56149705  | 56149705  | 1    | HOOD ROD                      |      |
| 56549707  | 56549707  | 1    | LEFT KNIFE                    |      |
| 56549708  | 56549708  | 1    | RIGHT KNIFE                   |      |
| 58002052  | 58002052  | 1    | PIN                           |      |
| 59047370  | 59047370  | 1    | WHEEL SPINDLE                 |      |
| 59047377  | 59047377  | 1    | WHEEL                         |      |
| 59049690  | 59049690  | 1    | SPACER                        |      |
| 59049702  | 59049702  | 1    | KNIFE                         |      |
| 922C0027  | 922C0027  | 1    | ROTARY HOE TRANSPORT WHEEL    |      |
| 561C0009N | 561C0009N | 1    | ROD                           |      |
| 561C0022Z | 561C0022Z | 1    | INTERNAL TUBE                 |      |
| 590C0026N | 590C0026N | 1    | COMPLETE FORK                 |      |





ATTREZZI ED ACCESSORI  
IMPLEMENTS AND ACCESSORIES  
OUTILS ET ACCESSOIRES  
APEROS Y ACCESORIOS  
ARBEITSGERÄTE UND ZUBEHÖR

600/700 serie 94

COLTELLI FRESA (85 LIGHT)

ROTARY HOE KNIVES  
CUCHILLAS FRESADORA

COUTEAUX FRAISE  
FRÄSERMESSER

DALL' ATTREZZO  
DESDE EL APERO  
DE L'OUTIL  
FROM IMPLEMENT  
AB ARBEITSGERÄET

N.

08 C 0

10/2011

Rev.

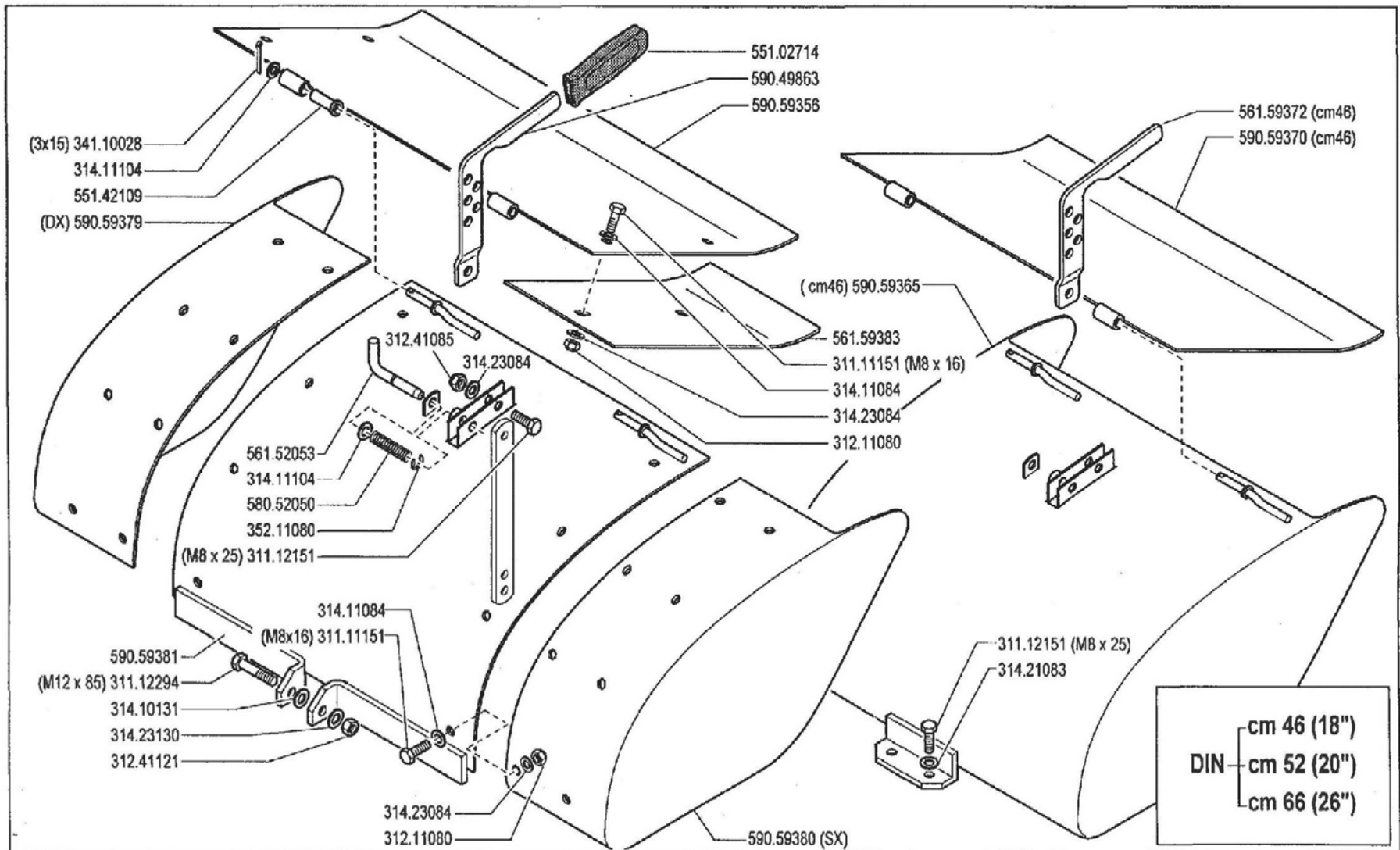
DITE





| Pos.        | Id          | Q.ty | Description                | Note |
|-------------|-------------|------|----------------------------|------|
| 31112151    | 31112151    | 1    | SCREW TE M8X25 UNI 5739 8G |      |
| 31112152    | 31112152    | 1    | SCREW TE M8X30 UNI 5739 8G |      |
| 31112211    | 31112211    | 1    | SCREW TE M10X30 UNI 5739   |      |
| 31112216    | 31112216    | 1    | SCREW TE M10X65 UNI 5737   |      |
| 31241085    | 31241085    | 1    | SELFLOCK NUT M8 6S         |      |
| 31241100    | 31241100    | 1    | SELFLOCK HEXAGON NUT M10   |      |
| 31241105    | 31241105    | 1    | SELFLOCK NUT M10           |      |
| 31411170    | 31411170    | 1    | WASHER 17x30               |      |
| 31423105    | 31423105    | 1    | SPRING WASHER 10,5         |      |
| 34110042    | 34110042    | 1    | SPLIT PIN A4X30 UNI 1336   |      |
| 55247373    | 55247373    | 1    | BUSHING                    |      |
| 58002052    | 58002052    | 1    | PIN                        |      |
| 59047377    | 59047377    | 1    | WHEEL                      |      |
| 922C0027    | 922C0027    | 1    | ROTARY HOE TRANSPORT WHEEL |      |
| 561C0022Z   | 561C0022Z   | 1    | INTERNAL TUBE              |      |
| 561C0107N   | 561C0107N   | 1    | HOOD ROD                   |      |
| 561C0108N   | 561C0108N   | 1    | ROD                        |      |
| 59047370Z   | 59047370Z   | 1    | WHEEL SPINDLE              |      |
| 59049850N   | 59049850N   | 1    | KNIFE                      |      |
| 590C0026N   | 590C0026N   | 1    | COMPLETE FORK              |      |
| 590C0109N   | 590C0109N   | 1    | SPACER                     |      |
| F0496387042 | F0496387042 | 1    | RH BLADE                   |      |
| F0496388042 | F0496388042 | 1    | LH BLADE                   |      |





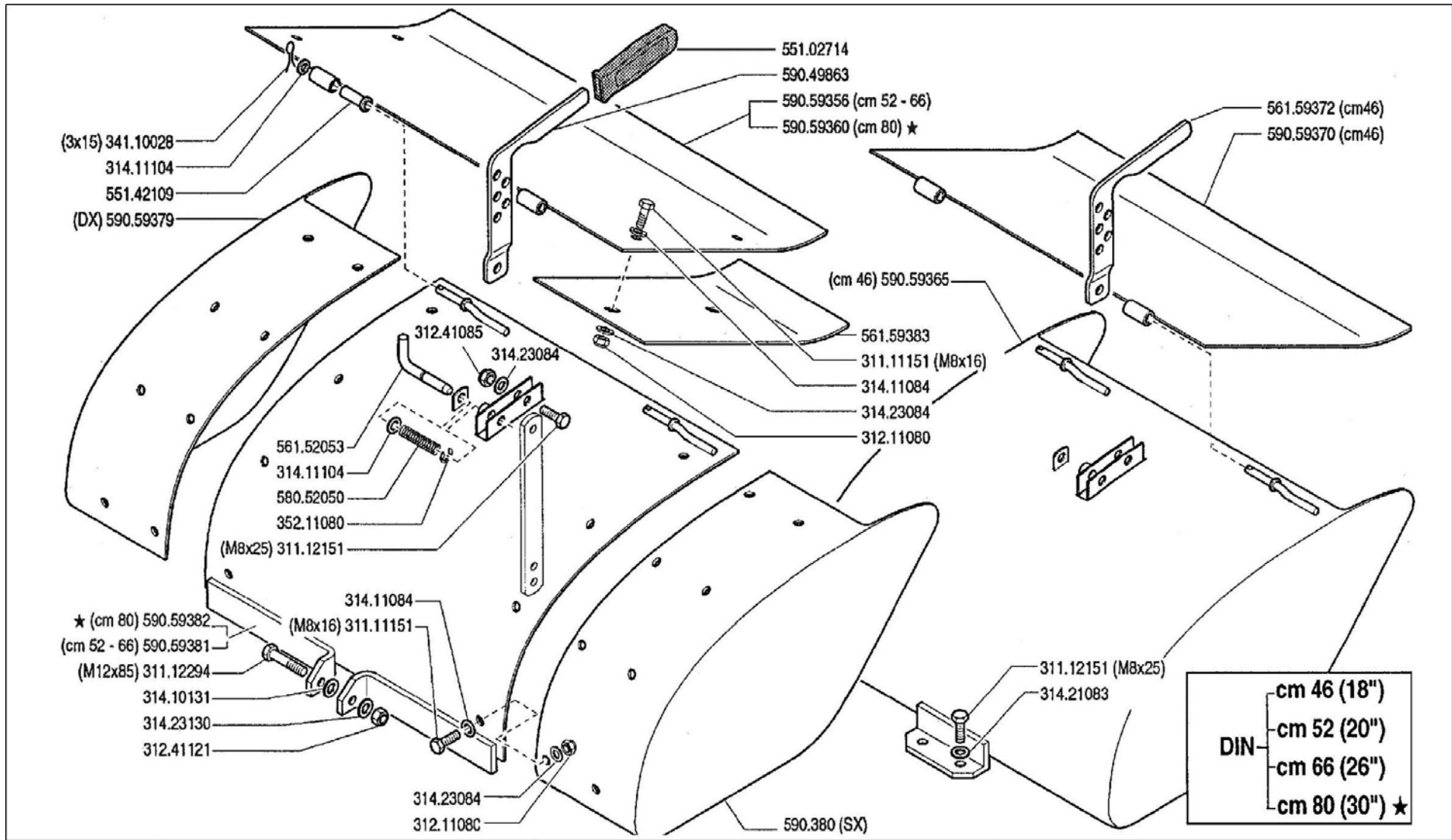
DIN { cm 46 (18")  
cm 52 (20")  
cm 66 (26")

|  |   |                                |   |   |    |                   |
|--|---|--------------------------------|---|---|----|-------------------|
|  | <b>ATTREZZI ED ACCESSORI</b><br>IMPLEMENTS AND ACCESSORIES<br>OUTILS ET ACCESSOIRES<br>APEROS Y ACCESORIOS<br>ARBEITSGERÄTE UND ZUBEHÖR | <b>600/700</b> serie <b>94</b> | <b>COFANO FRESA</b><br>REVESTIMIENTO FRESADORA    ROTARY HOE HOOD<br>COFFRE FRAISE                    FRÄSERABDECKHAUBE | DALL'ATTREZZO<br>DESDE EL APERO<br>DE L'OUTIL<br>FROM IMPLEMENT<br>AB ARBEITSGERÄET | N. | <b>09.00</b>      |
|  |   |                                |   |   |    | <b>02.05.1994</b> |



| Pos.     | Id       | Q.ty | Description                   | Note |
|----------|----------|------|-------------------------------|------|
| 31111151 | 31111151 |      | SCREW TE M8X16 UNI 5739 8G    |      |
| 31112151 | 31112151 |      | SCREW TE M8X25 UNI 5739 8G    |      |
| 31112294 | 31112294 |      | SCREW TE M12X85 UNI 5737      |      |
| 31211080 | 31211080 |      | NUT M8                        |      |
| 31241085 | 31241085 |      | SELFLOCK NUT M8 6S            |      |
| 31241121 | 31241121 |      | SELFLOCK NUT M12              |      |
| 31410131 | 31410131 |      | WASHER 13,5x27/1              |      |
| 31411084 | 31411084 |      | WASHER 8,4x17                 |      |
| 31411104 | 31411104 |      | WASHER 10,5x18                |      |
| 31421083 | 31421083 |      | WASHER                        |      |
| 31423084 | 31423084 |      | SPRING WASHER 8,4             |      |
| 31423130 | 31423130 |      | SPRING WASHER EL 13 DIN 137-B |      |
| 34110028 | 34110028 |      | SPLIT PIN A3X15 UNI 1336      |      |
| 35211080 | 35211080 |      | SEEGER RING E 8 UNI 7434      |      |
| 55102714 | 55102714 |      | FLAT KNOB                     |      |
| 55142109 | 55142109 |      | BUSHING                       |      |
| 56152053 | 56152053 |      | PIN                           |      |
| 56159372 | 56159372 |      | COMPLETE ROD                  |      |
| 56159383 | 56159383 |      | TILTING INDICATOR             |      |
| 58052050 | 58052050 |      | SPRING                        |      |
| 59049863 | 59049863 |      | ROD                           |      |
| 59059356 | 59059356 |      | TILTING INDICATOR             |      |
| 59059365 | 59059365 |      | BONNET                        |      |
| 59059370 | 59059370 |      | COMPLETE FLAP - ROTARY HOE 46 |      |
| 59059379 | 59059379 |      | SIDE PANEL                    |      |
| 59059380 | 59059380 |      | SIDE PANEL                    |      |
| 59059381 | 59059381 |      | COMPLETE HOOD                 |      |





ATTREZZI ED ACCESSORI  
 IMPLEMENTS AND ACCESSORIES  
 OUTILS ET ACCESSOIRES  
 APAROS Y ACCESORIOS  
 ARBEITSGERÄTE UND ZUBEHÖR

**600/700 serie 94**

**COFANO FRESA**

ROTARY HOE HOOD  
 REVESTIMIENTO FRESADORA  
 COFFRE FRAISE  
 FRÄSERABDECKAUBE

DALL' ATREZZO  
 DESDE EL AFERRO  
 DE L' OUTIL  
 FROM VOLEVENT  
 AB ARBEITSGERÄT

★ N.

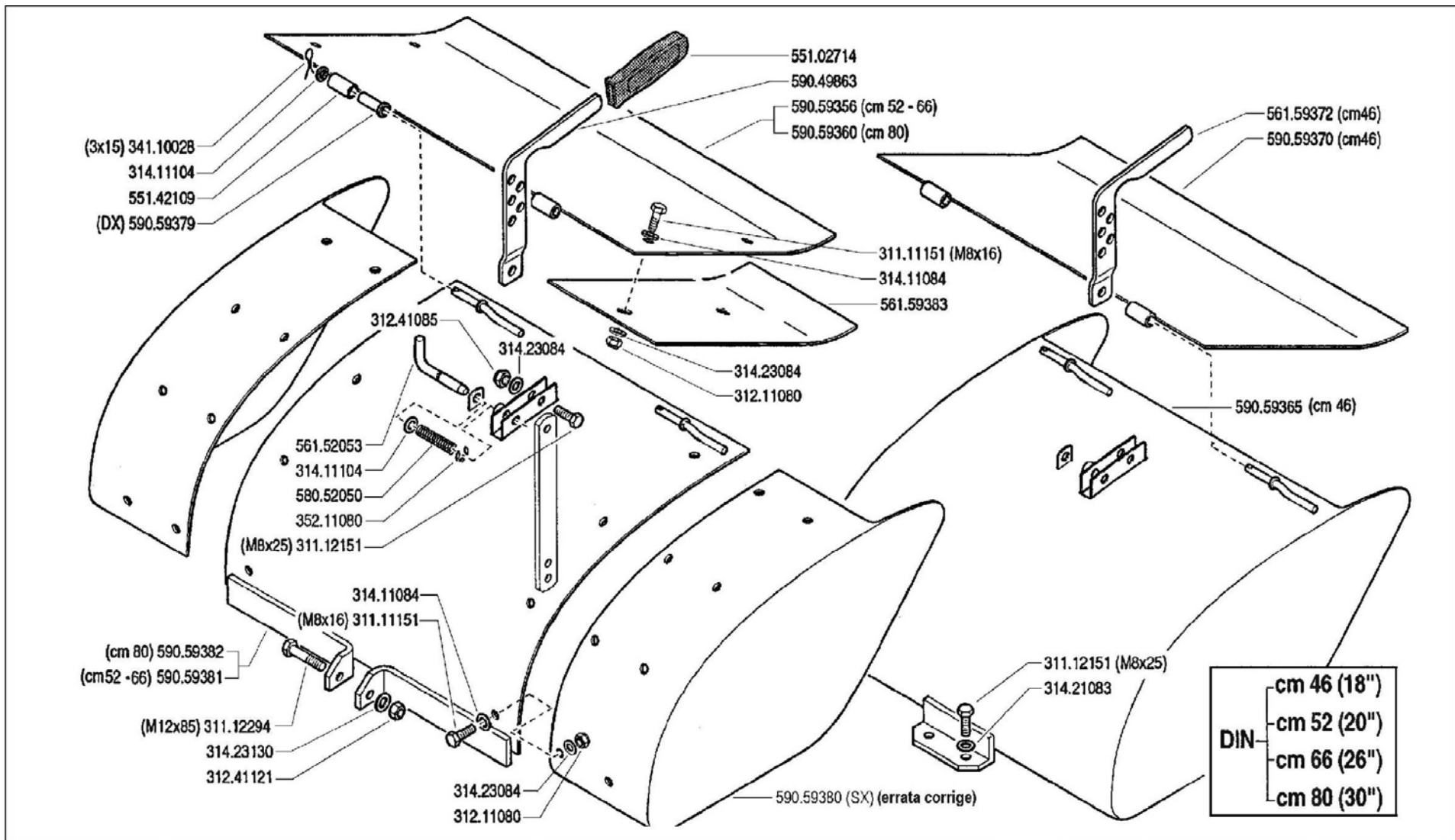
|               |        |    |
|---------------|--------|----|
| AGGIORNAMENTO | 09     | 01 |
| REVISION      |        |    |
| MISE A JOUR   |        |    |
| APLAZAMIENTO  |        |    |
| ANPASSUNG     | 1/1996 |    |



BCS Motor mowers, BCS 2-wheel tractors - ROTARY HOE  
**009\_1\_2465 - ROT.CULTIV. BONNET**

| Pos.     | Id       | Q.ty | Description                   | Note |
|----------|----------|------|-------------------------------|------|
| 31111151 | 31111151 |      | SCREW TE M8X16 UNI 5739 8G    |      |
| 31112151 | 31112151 |      | SCREW TE M8X25 UNI 5739 8G    |      |
| 31112294 | 31112294 |      | SCREW TE M12X85 UNI 5737      |      |
| 31211080 | 31211080 |      | NUT M8                        |      |
| 31241085 | 31241085 |      | SELFLOCK NUT M8 6S            |      |
| 31241121 | 31241121 |      | SELFLOCK NUT M12              |      |
| 31410131 | 31410131 |      | WASHER 13,5x27/1              |      |
| 31411084 | 31411084 |      | WASHER 8,4x17                 |      |
| 31411104 | 31411104 |      | WASHER 10,5x18                |      |
| 31421083 | 31421083 |      | WASHER                        |      |
| 31423084 | 31423084 |      | SPRING WASHER 8,4             |      |
| 31423130 | 31423130 |      | SPRING WASHER EL 13 DIN 137-B |      |
| 34110028 | 34110028 |      | SPLIT PIN A3X15 UNI 1336      |      |
| 35211080 | 35211080 |      | SEEGER RING E 8 UNI 7434      |      |
| 55102714 | 55102714 |      | FLAT KNOB                     |      |
| 55142109 | 55142109 |      | BUSHING                       |      |
| 56152053 | 56152053 |      | PIN                           |      |
| 56159372 | 56159372 |      | COMPLETE ROD                  |      |
| 56159383 | 56159383 |      | TILTING INDICATOR             |      |
| 58052050 | 58052050 |      | SPRING                        |      |
| 59049863 | 59049863 |      | ROD                           |      |
| 59059356 | 59059356 |      | TILTING INDICATOR             |      |
| 59059360 | 59059360 |      | TILTING INDICATOR             |      |
| 59059365 | 59059365 |      | BONNET                        |      |
| 59059370 | 59059370 |      | COMPLETE FLAP - ROTARY HOE 46 |      |
| 59059379 | 59059379 |      | SIDE PANEL                    |      |
| 59059380 | 59059380 |      | SIDE PANEL                    |      |
| 59059381 | 59059381 |      | COMPLETE HOOD                 |      |
| 59059382 | 59059382 |      | BONNET                        |      |





ATTREZZI ED ACCESSORI  
 IMPLEMENTS AND ACCESSORIES  
 OUTILS ET ACCESSOIRES  
 APEROS Y ACCESORIOS  
 ARBEITSGERÄTE UND ZUBEHÖR

**600/700** serie 94

ROTARY HOE HOOD  
 REVESTIMIENTO FRESADORA

**COFANO FRESA**

COFFRE FRAISE  
 FRÄSERABDECKAUBE

DALL'ATTREZZO  
 DESDE EL APERO  
 DE L'OUTIL  
 FROV IMPLEMENT  
 AB ARBEITSGERÄT

★N.

|               |
|---------------|
| AGGIORNAMENTO |
| REVISION      |
| MISE A JOUR   |
| APLAZAMIENTO  |
| ANPASSUNG     |

**09**

**10/2001**

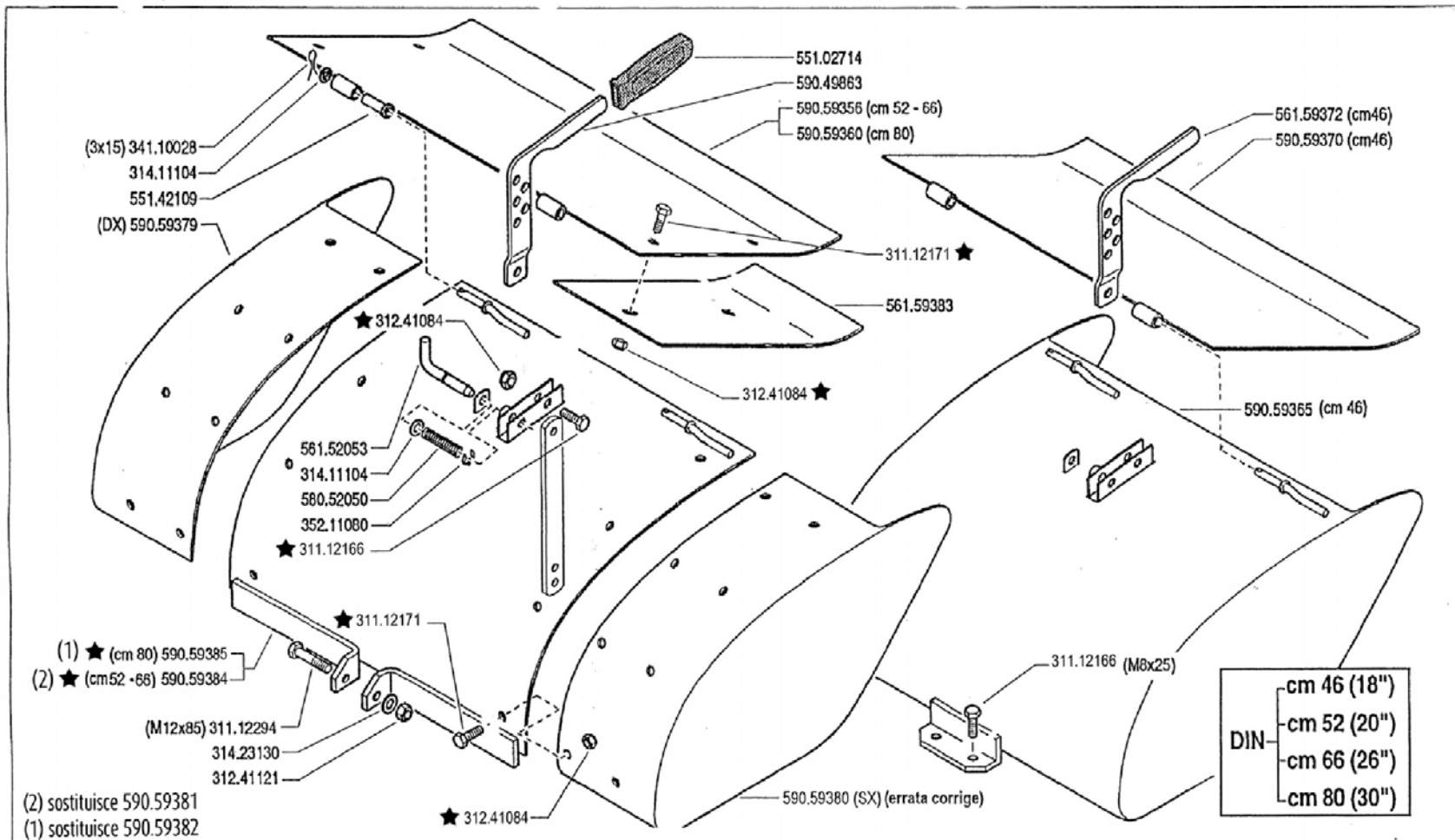
Rev  
**2**

ZENNE



| Pos.     | Id       | Q.ty | Description                   | Note |
|----------|----------|------|-------------------------------|------|
| 31111151 | 31111151 |      | SCREW TE M8X16 UNI 5739 8G    |      |
| 31112151 | 31112151 |      | SCREW TE M8X25 UNI 5739 8G    |      |
| 31112294 | 31112294 |      | SCREW TE M12X85 UNI 5737      |      |
| 31211080 | 31211080 |      | NUT M8                        |      |
| 31241085 | 31241085 |      | SELFLOCK NUT M8 6S            |      |
| 31241121 | 31241121 |      | SELFLOCK NUT M12              |      |
| 31411084 | 31411084 |      | WASHER 8,4x17                 |      |
| 31411104 | 31411104 |      | WASHER 10,5x18                |      |
| 31421083 | 31421083 |      | WASHER                        |      |
| 31423084 | 31423084 |      | SPRING WASHER 8,4             |      |
| 31423130 | 31423130 |      | SPRING WASHER EL 13 DIN 137-B |      |
| 34110028 | 34110028 |      | SPLIT PIN A3X15 UNI 1336      |      |
| 35211080 | 35211080 |      | SEEGER RING E 8 UNI 7434      |      |
| 55102714 | 55102714 |      | FLAT KNOB                     |      |
| 55142109 | 55142109 |      | BUSHING                       |      |
| 56152053 | 56152053 |      | PIN                           |      |
| 56159372 | 56159372 |      | COMPLETE ROD                  |      |
| 56159383 | 56159383 |      | TILTING INDICATOR             |      |
| 58052050 | 58052050 |      | SPRING                        |      |
| 59049863 | 59049863 |      | ROD                           |      |
| 59059356 | 59059356 |      | TILTING INDICATOR             |      |
| 59059360 | 59059360 |      | TILTING INDICATOR             |      |
| 59059365 | 59059365 |      | BONNET                        |      |
| 59059370 | 59059370 |      | COMPLETE FLAP - ROTARY HOE 46 |      |
| 59059379 | 59059379 |      | SIDE PANEL                    |      |
| 59059380 | 59059380 |      | SIDE PANEL                    |      |
| 59059381 | 59059381 |      | COMPLETE HOOD                 |      |
| 59059382 | 59059382 |      | BONNET                        |      |





(2) sostituisce 590.59381  
 (1) sostituisce 590.59382



ATTREZZI ED ACCESSORI  
 IMPLEMENTS AND ACCESSORIES  
 OUTILS ET ACCESSOIRES  
 APEROS Y ACCESORIOS  
 ARBEITSGERÄTE UND ZUBEHÖR

**600/700 serie 94**

**COFANO FRESA**  
 ROTARY HOE HOOD  
 REVESTIMIENTO FRESADORA

**COFFRE FRAISE**  
 FRÄSERABDECKAUBE

|   |               |                |      |
|---|---------------|----------------|------|
| DALL'ATTREZZO<br>DESDE EL APERO<br>DE L'OUTIL<br>FROM IMPLEMENT<br>AB ARBEITSGERÄET | AGGIORNAMENTO | <b>09</b>      | Rev. |
|   | REVISION      |                | 3    |
|   | MISE A JOUR   | <b>05/2011</b> |      |
|   | APLAZAMIENTO  |                |      |
| ★N.   | ANPASSUNG     |                |      |





| Pos.     | Id       | Q.ty | Description                    | Note |
|----------|----------|------|--------------------------------|------|
| 31112166 | 31112166 |      | SCREW TE C/F M8X25 DIN 6921 8G |      |
| 31112171 | 31112171 |      | SCREW TE C/F M8X16 DIN 6921    |      |
| 31112294 | 31112294 |      | SCREW TE M12X85 UNI 5737       |      |
| 31241084 | 31241084 |      | SELFLOCK NUT M8 6S             |      |
| 31241121 | 31241121 |      | SELFLOCK NUT M12               |      |
| 31411104 | 31411104 |      | WASHER 10,5x18                 |      |
| 31423130 | 31423130 |      | SPRING WASHER EL 13 DIN 137-B  |      |
| 34110028 | 34110028 |      | SPLIT PIN A3X15 UNI 1336       |      |
| 35211080 | 35211080 |      | SEEGER RING E 8 UNI 7434       |      |
| 55102714 | 55102714 |      | FLAT KNOB                      |      |
| 55142109 | 55142109 |      | BUSHING                        |      |
| 56152053 | 56152053 |      | PIN                            |      |
| 56159372 | 56159372 |      | COMPLETE ROD                   |      |
| 56159383 | 56159383 |      | TILTING INDICATOR              |      |
| 58052050 | 58052050 |      | SPRING                         |      |
| 59049863 | 59049863 |      | ROD                            |      |
| 59059356 | 59059356 |      | TILTING INDICATOR              |      |
| 59059360 | 59059360 |      | TILTING INDICATOR              |      |
| 59059365 | 59059365 |      | BONNET                         |      |
| 59059370 | 59059370 |      | COMPLETE FLAP - ROTARY HOE 46  |      |
| 59059379 | 59059379 |      | SIDE PANEL                     |      |
| 59059380 | 59059380 |      | SIDE PANEL                     |      |
| 59059384 | 59059384 |      | BONNET                         |      |
| 59059385 | 59059385 |      | BONNET                         |      |



cm 85/100 (32 - 38")

341.10028  
561.42110

561.49720

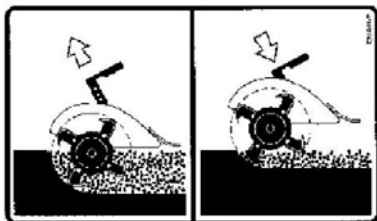
590.49728



580.46922



580.57724

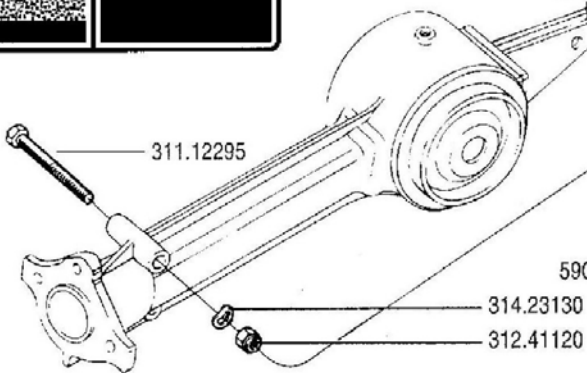


580.51126

314.11104  
551.42109  
590.49724  
314.10131

311.12210  
314.11105  
590.49722

314.23105  
312.11100  
311.12210  
314.11105



311.12295

590.49725

314.23130  
312.41120

561.49720  
314.23105  
312.11100



ATTREZZI ED ACCESSORI  
IMPLEMENTS AND ACCESSORIES  
OUTILS ET ACCESSOIRES  
APAROS Y ACCESORIOS  
ARBEITSGERÄTE UND ZUBEHÖR

600/700 serie 94

COFANO FRESA (746)

ROTARY HOE HOOD  
CAPO FRESADORA

COFFRE FRAISE  
FRÄSERABDECKHAUBE

DALL'ATTEZZO  
DESDE EL APARO  
DE L'OUTIL  
FROM IMPLMENT  
AB ARBEITSGERÄT

N.

09 A 00

9/1999

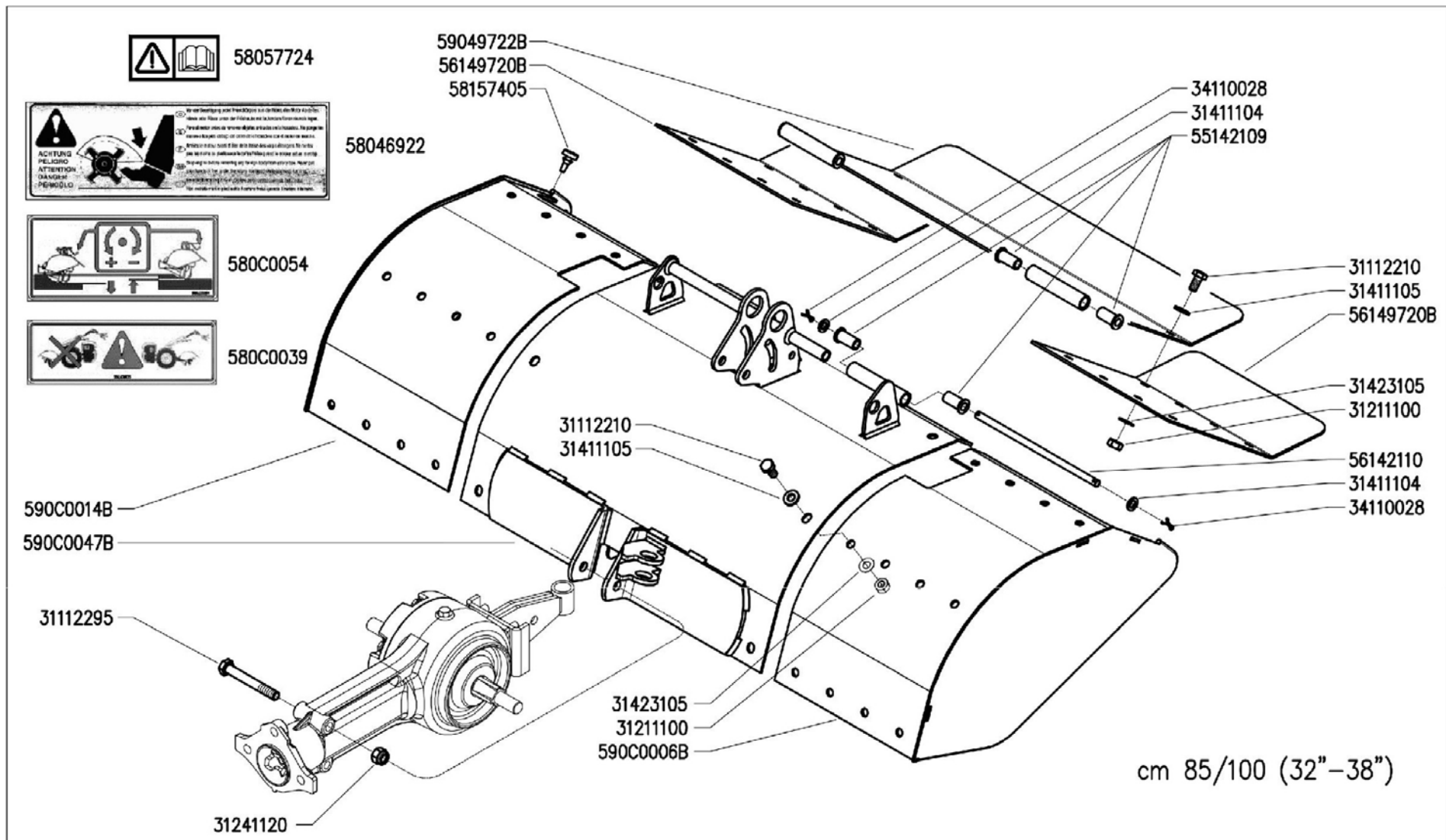
Mod.

28/11/2021



| Pos.     | Id       | Q.ty | Description                   | Note |
|----------|----------|------|-------------------------------|------|
| 31112210 | 31112210 |      | SCREW TE M10X20 UNI 5739      |      |
| 31112295 | 31112295 |      | SCREW TE M12X90 UNI 5737      |      |
| 31211100 | 31211100 |      | NUT M10                       |      |
| 31241120 | 31241120 |      | SELFLOCK NUT M12              |      |
| 31410131 | 31410131 |      | WASHER 13,5x27/1              |      |
| 31411104 | 31411104 |      | WASHER 10,5x18                |      |
| 31411105 | 31411105 |      | WASHER 10,5x21 UNI 6592       |      |
| 31423105 | 31423105 |      | SPRING WASHER 10,5            |      |
| 31423130 | 31423130 |      | SPRING WASHER EL 13 DIN 137-B |      |
| 34110028 | 34110028 |      | SPLIT PIN A3X15 UNI 1336      |      |
| 55142109 | 55142109 |      | BUSHING                       |      |
| 56142110 | 56142110 |      | PIN                           |      |
| 56149720 | 56149720 |      | TILTING INDICATOR             |      |
| 58046922 | 58046922 |      | DECAL                         |      |
| 58051126 | 58051126 |      | DECAL                         |      |
| 58057724 | 58057724 |      | DECAL                         |      |
| 59049722 | 59049722 |      | TILTING INDICATOR             |      |
| 59049724 | 59049724 |      | COMPLETE HOOD                 |      |
| 59049725 | 59049725 |      | LEFT SIDE PANEL               |      |
| 59049728 | 59049728 |      | RIGHT SIDE PANEL              |      |



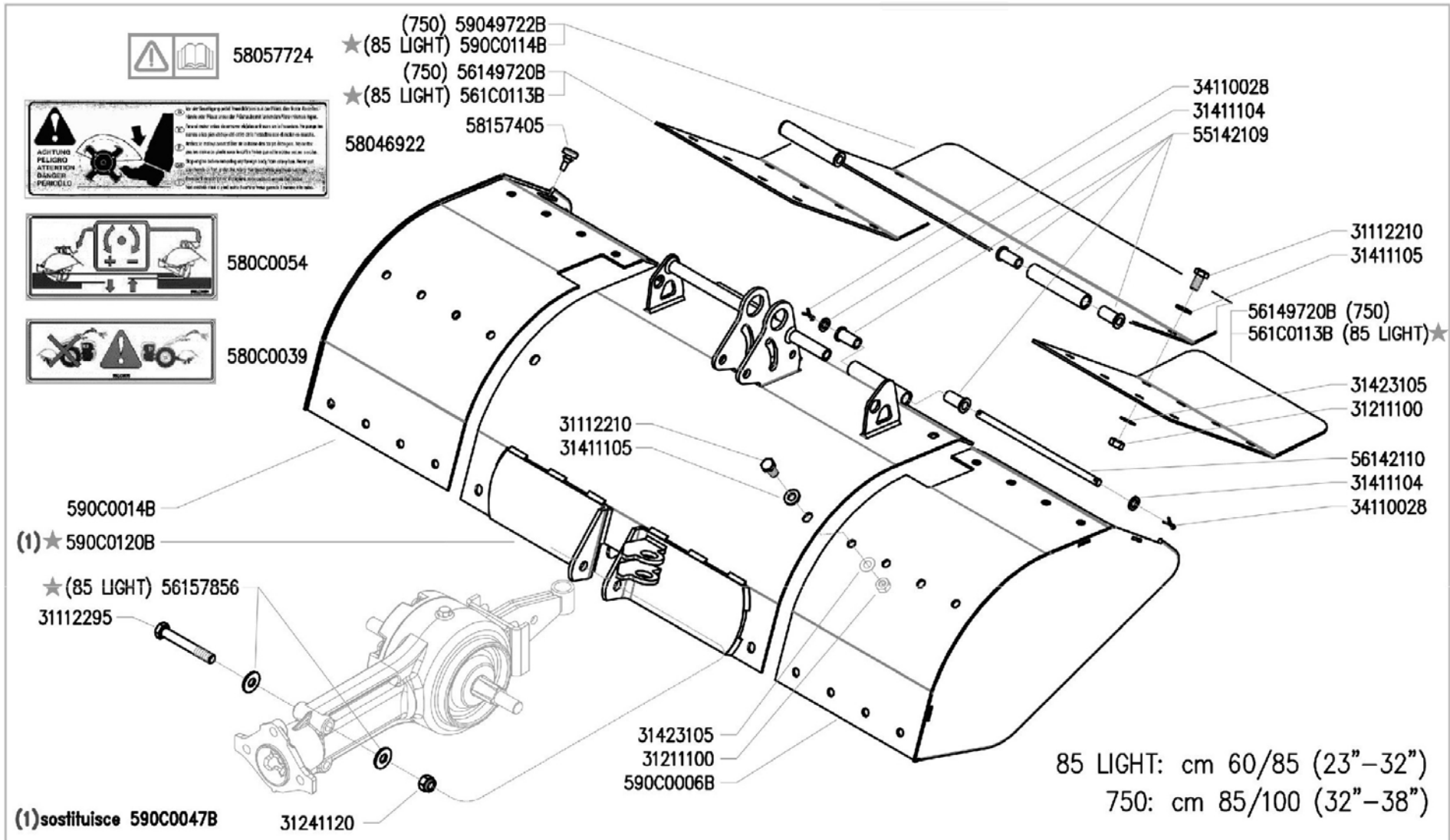


|   |  |                  |                                   |                                    |  |                |
|---|--|------------------|-----------------------------------|------------------------------------|--|----------------|
|  | ATTREZZI ED ACCESSORI<br>IMPLEMENTS AND ACCESSORIES<br>OUTILS ET ACCESSOIRES<br>APEROS Y ACCESORIOS<br>ARBEITSGERÄTE UND ZUBEHÖR | 600/700 serie 94 | <b>COFANO FRESA (750)</b>         |                                    | DALL' ATTREZZO<br>DESDE EL APERO<br>DE L'OUTIL<br>FROM IMPLEMENT<br>AB ARBEITSGERÄET | Rev.<br>09 B 0 |
|   |  |                  | ROTARY HOE HOOD<br>CAPO FRESADORA | COFFRE FRAISE<br>FRÄSERABDECKHAUBE |  |                |



| Pos.      | Id        | Q.ty | Description              | Note |
|-----------|-----------|------|--------------------------|------|
| 31112210  | 31112210  | 1    | SCREW TE M10X20 UNI 5739 |      |
| 31112295  | 31112295  | 1    | SCREW TE M12X90 UNI 5737 |      |
| 31211100  | 31211100  | 1    | NUT M10                  |      |
| 31241120  | 31241120  | 1    | SELFLOCK NUT M12         |      |
| 31411104  | 31411104  | 1    | WASHER 10,5x18           |      |
| 31411105  | 31411105  | 1    | WASHER 10,5x21 UNI 6592  |      |
| 31423105  | 31423105  | 1    | SPRING WASHER 10,5       |      |
| 34110028  | 34110028  | 1    | SPLIT PIN A3X15 UNI 1336 |      |
| 55142109  | 55142109  | 1    | BUSHING                  |      |
| 56142110  | 56142110  | 1    | PIN                      |      |
| 58046922  | 58046922  | 1    | DECAL                    |      |
| 58057724  | 58057724  | 1    | DECAL                    |      |
| 580C0039  | 580C0039  | 1    | DECAL                    |      |
| 580C0054  | 580C0054  | 1    | DECAL                    |      |
| 58157405  | 58157405  | 1    | PLUG                     |      |
| 56149720B | 56149720B | 1    | TILTING INDICATOR        |      |
| 59049722B | 59049722B | 1    | TILTING INDICATOR        |      |
| 590C0006B | 590C0006B | 1    | SIDE PANEL               |      |
| 590C0014B | 590C0014B | 1    | SIDE PANEL               |      |
| 590C0047B | 590C0047B | 1    | BONNET                   |      |



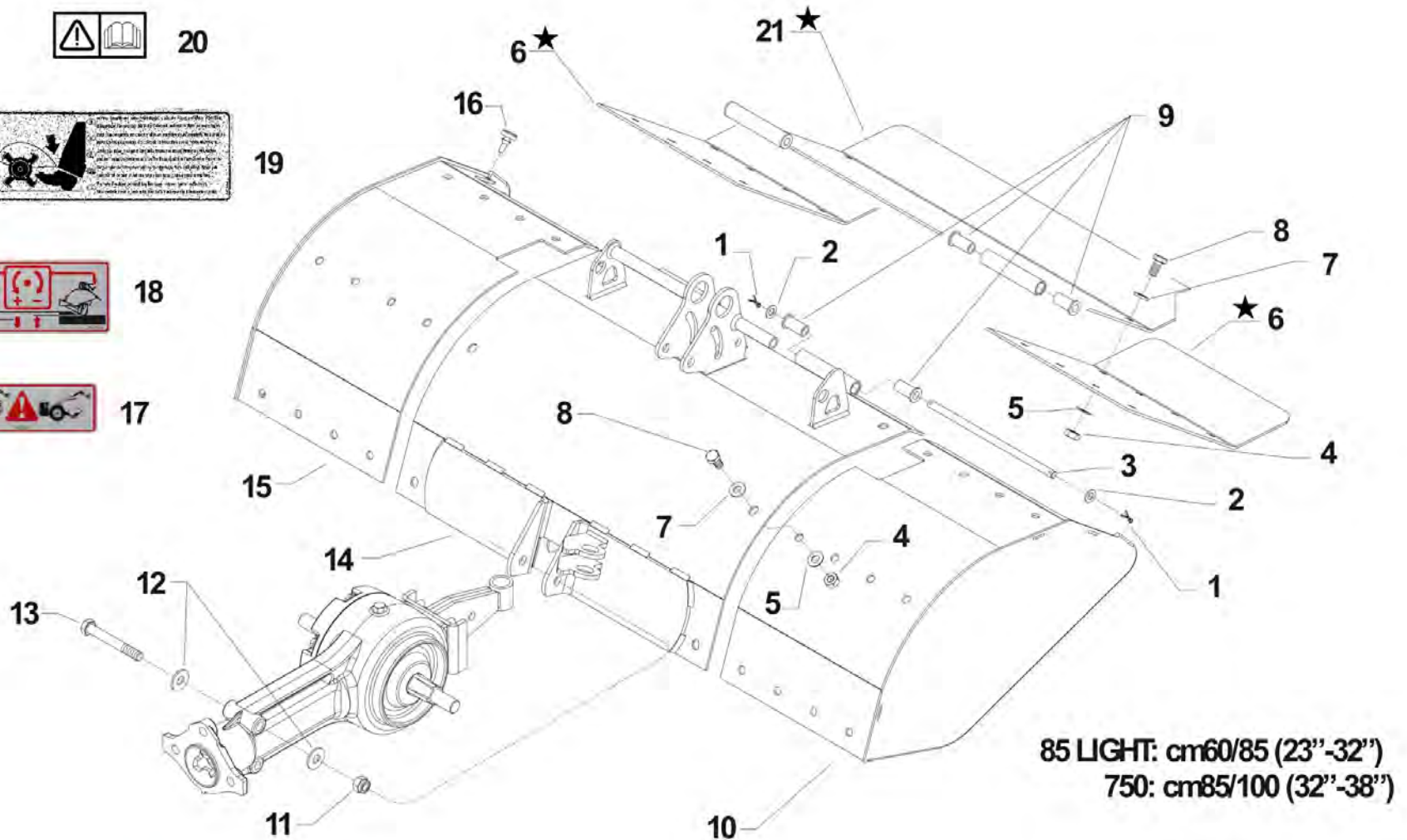


|  |  |                  |                                     |               |   |                   |        |          |
|--|--|------------------|-------------------------------------|---------------|---|-------------------|--------|----------|
|  | ATTREZZI ED ACCESSORI<br>IMPLEMENTS AND ACCESSORIES<br>OUTILS ET ACCESSOIRES<br>APEROS Y ACCESORIOS<br>ARBEITSGERÄTE UND ZUBEHÖR | 600/700 serie 94 | <b>COFANO FRESA (750-85 LIGHT★)</b> |               | DALL' ATTREZZO<br>DESDE EL APERO<br>DE L'OUTIL<br>FROM IMPLEMENT<br>AB ARBEITSGERÄT | AGGIORNAMENTO     | 09 B 1 | Rev.     |
|  |  |                  | ROTARY HOE HOOD                     | COFFRE FRAISE |   | APLAZAMIENTO      |        | REVISION |
|  |  |                  |                                     |               | CAPO FRESADORA  | FRÄSERABDECKHAUBE | ★N.    | DATE     |



| Pos.      | Id        | Q.ty | Description              | Note |
|-----------|-----------|------|--------------------------|------|
| 31112210  | 31112210  | 1    | SCREW TE M10X20 UNI 5739 |      |
| 31112295  | 31112295  | 1    | SCREW TE M12X90 UNI 5737 |      |
| 31211100  | 31211100  | 1    | NUT M10                  |      |
| 31241120  | 31241120  | 1    | SELFLOCK NUT M12         |      |
| 31411104  | 31411104  | 1    | WASHER 10,5x18           |      |
| 31411105  | 31411105  | 1    | WASHER 10,5x21 UNI 6592  |      |
| 31423105  | 31423105  | 1    | SPRING WASHER 10,5       |      |
| 34110028  | 34110028  | 1    | SPLIT PIN A3X15 UNI 1336 |      |
| 55142109  | 55142109  | 1    | BUSHING                  |      |
| 56142110  | 56142110  | 1    | PIN                      |      |
| 56157856  | 56157856  | 1    | WASHER 12,5x30/2,5       |      |
| 58046922  | 58046922  | 1    | DECAL                    |      |
| 58057724  | 58057724  | 1    | DECAL                    |      |
| 580C0039  | 580C0039  | 1    | DECAL                    |      |
| 580C0054  | 580C0054  | 1    | DECAL                    |      |
| 58157405  | 58157405  | 1    | PLUG                     |      |
| 56149720B | 56149720B | 1    | TILTING INDICATOR        |      |
| 561C0113B | 561C0113B | 1    | TILTING INDICATOR        |      |
| 59049722B | 59049722B | 1    | TILTING INDICATOR        |      |
| 590C0006B | 590C0006B | 1    | SIDE PANEL               |      |
| 590C0014B | 590C0014B | 1    | SIDE PANEL               |      |
| 590C0114B | 590C0114B | 1    | TILTING INDICATOR        |      |
| 590C0120B | 590C0120B | 1    | BONNET                   |      |





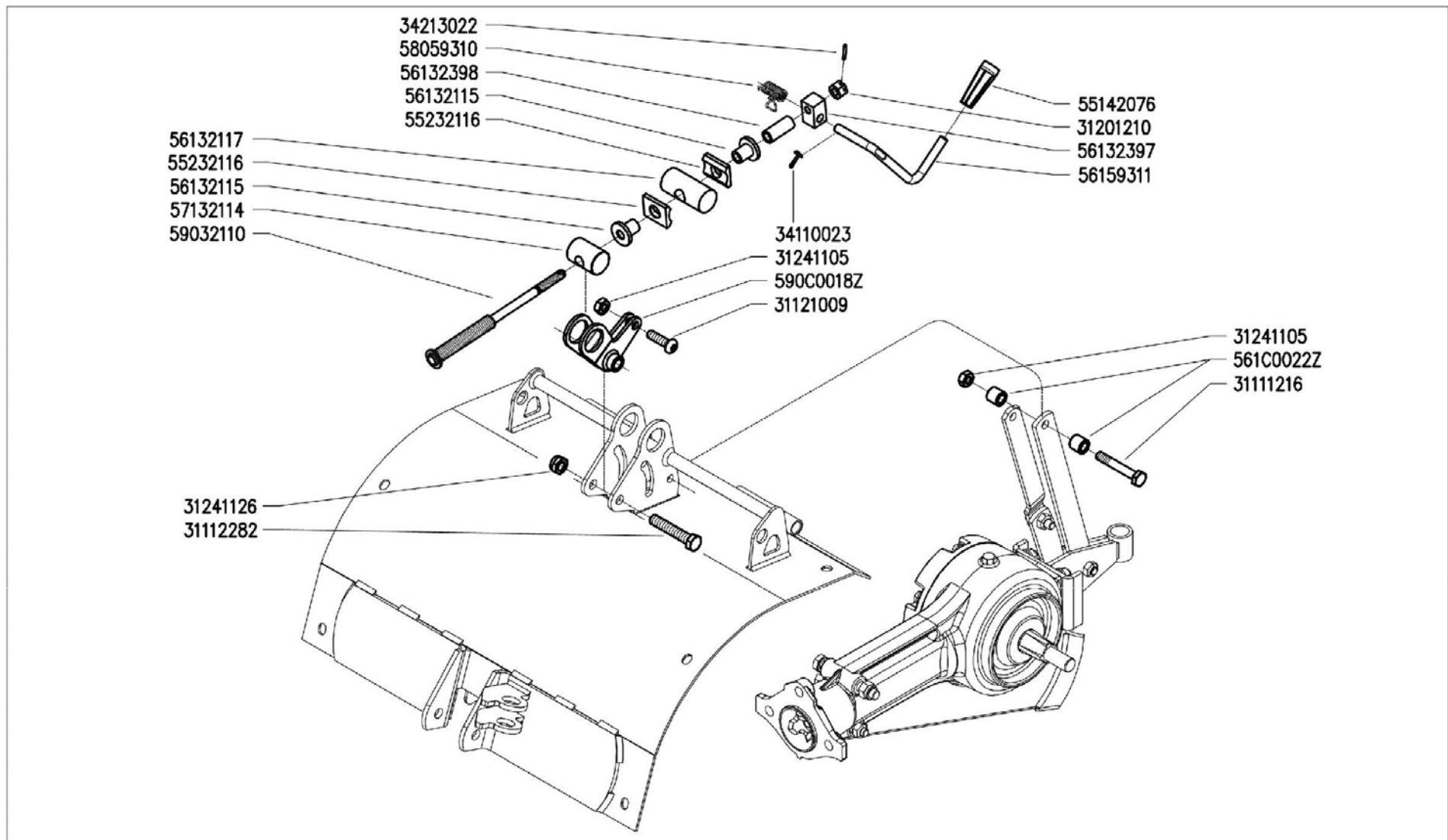
**i** = info - stop 2 sec. ★ = new part





| Pos. | Id        | Q.ty | Description              | Note |
|------|-----------|------|--------------------------|------|
| 1    | 34110028  |      | SPLIT PIN A3X15 UNI 1336 |      |
| 2    | 31411104  |      | WASHER 10,5x18           |      |
| 3    | 56142110  |      | PIN                      |      |
| 4    | 31211100  |      | NUT M10                  |      |
| 5    | 31423105  |      | SPRING WASHER 10,5       |      |
| 6    | 56149720B |      | TILTING INDICATOR        |      |
| 6    | 561C0123B |      | TILTING INDICATOR        |      |
| 7    | 31411105  |      | WASHER 10,5x21 UNI 6592  |      |
| 8    | 31112210  |      | SCREW TE M10X20 UNI 5739 |      |
| 9    | 55142109  |      | BUSHING                  |      |
| 10   | 590C0006B |      | SIDE PANEL               |      |
| 11   | 31241120  |      | SELFLOCK NUT M12         |      |
| 12   | 56157856  |      | WASHER 12,5x30/2,5       |      |
| 13   | 31112295  |      | SCREW TE M12X90 UNI 5737 |      |
| 14   | 590C0120B |      | BONNET                   |      |
| 15   | 590C0014B |      | SIDE PANEL               |      |
| 16   | 58157405  |      | PLUG                     |      |
| 17   | 580C0039  |      | DECAL                    |      |
| 18   | 580C0054  |      | DECAL                    |      |
| 19   | 58046922  |      | DECAL                    |      |
| 20   | 58057724  |      | DECAL                    |      |
| 21   | 59049722B |      | TILTING INDICATOR        |      |
| 21   | 590C0121B |      | TILTING INDICATOR        |      |



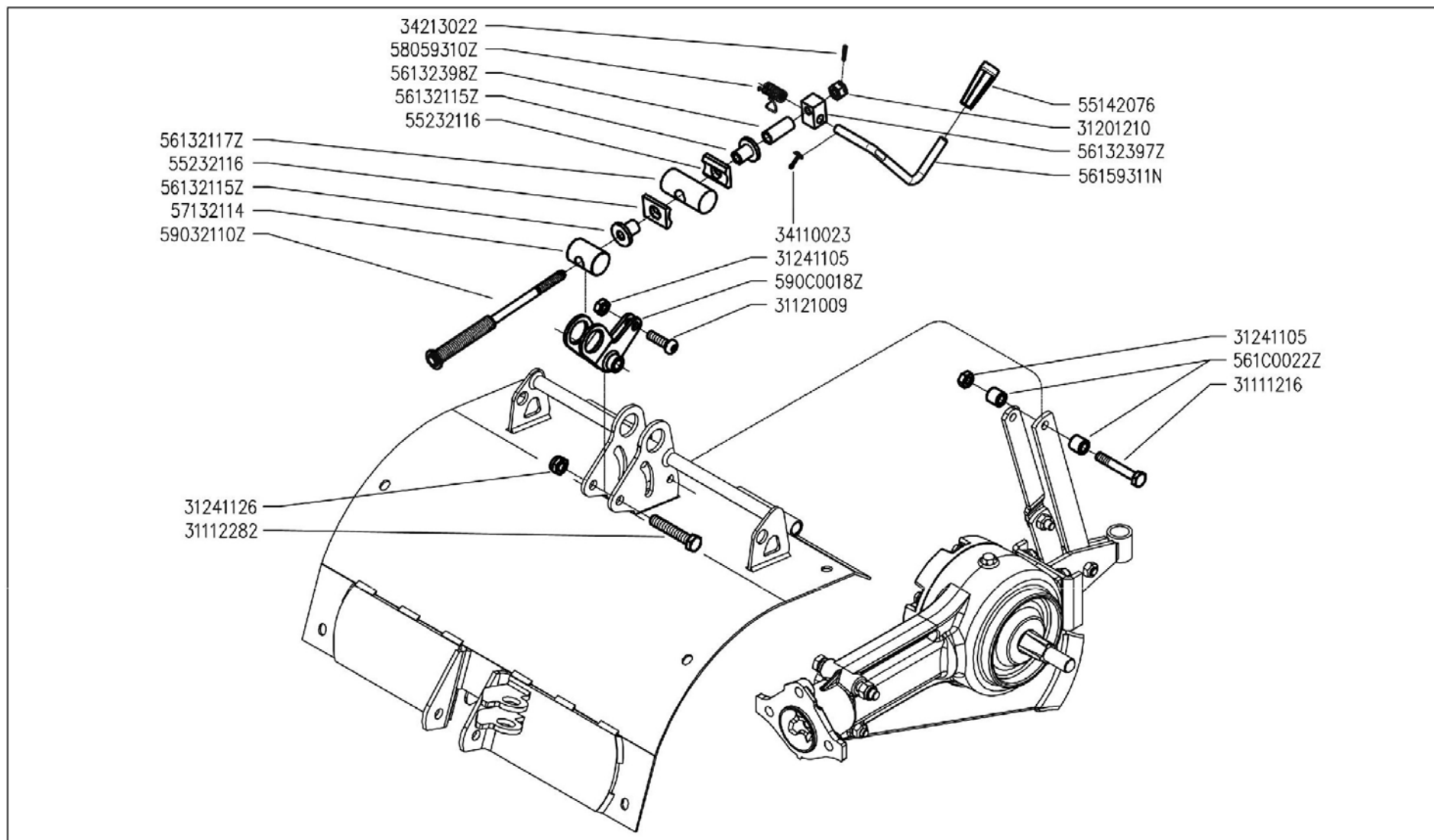


|   |  |                  |  |   |  |        |
|---|--|------------------|--|---|--|--------|
|  | ATTREZZI ED ACCESSORI<br>IMPLEMENTS AND ACCESSORIES<br>OUTILS ET ACCESSOIRES<br>APEROS Y ACCESORIOS<br>ARBEITSGERÄTE UND ZUBEHÖR | 600/700 serie 94 | <b>REGOLAZIONE COLTELLO CENTRALE FRESA (750)</b>           |   | DALL' ATTREZZO<br>DESDE EL APERO<br>DE L'OUTIL<br>FROM IMPLEMENT<br>AB ARBEITSGERAET | Rev.   |
|   |  |                  | CENTRAL KNIFE ADJUSTMENTS<br>REGULACIONES CUCHILLA CENTRAL | REGLAGES COUPEAU CENTRAL<br>ZENTRALMESSER EINSTELLUNGEN |  | 09 C 0 |
|   |  |                  |  |   | N. 435813  | DTE    |



| Pos.      | Id        | Q.ty | Description                 | Note |
|-----------|-----------|------|-----------------------------|------|
| 31111216  | 31111216  | 1    | SCREW TE M10X70 UNI 5739 8G |      |
| 31112282  | 31112282  | 1    | SCREW TE M12X65 UNI 5739 8G |      |
| 31121009  | 31121009  | 1    | SCREW TBCEI M10X35 ISO 7380 |      |
| 31201210  | 31201210  | 1    | NUT M10                     |      |
| 31241105  | 31241105  | 1    | SELFLOCK NUT M10            |      |
| 31241126  | 31241126  | 1    | SELFLOCK NUT M12            |      |
| 34110023  | 34110023  | 1    | SPLIT PIN A2,5X22 UNI 1336  |      |
| 34213022  | 34213022  | 1    | ROLL PIN                    |      |
| 55142076  | 55142076  | 1    | KNOB                        |      |
| 55232116  | 55232116  | 1    | SUPPORT                     |      |
| 56132115  | 56132115  | 1    | BUSHING                     |      |
| 56132117  | 56132117  | 1    | PIN                         |      |
| 56132397  | 56132397  | 1    | SMALL BLOCK                 |      |
| 56132398  | 56132398  | 1    | SPACER                      |      |
| 56159311  | 56159311  | 1    | ROD                         |      |
| 57132114  | 57132114  | 1    | SCREW NUT                   |      |
| 58059310  | 58059310  | 1    | SPRING FOR FLAIL MOWERS     |      |
| 59032110  | 59032110  | 1    | ROD                         |      |
| 561C0022Z | 561C0022Z | 1    | INTERNAL TUBE               |      |
| 590C0018Z | 590C0018Z | 1    | TRANSMISSION                |      |





ATTREZZI ED ACCESSORI  
 IMPLEMENTS AND ACCESSORIES  
 OUTILS ET ACCESSOIRES  
 APEROS Y ACCESORIOS  
 ARBEITSGERÄTE UND ZUBEHÖR

600/700 serie 94

REGOLAZIONE COLTELLO CENTRALE FRESA  
 (750 - 85 LIGHT ★)

CENTRAL KNIFE ADJUSTMENTS  
 REGLAGES COUPEAU CENTRAL  
 REGULACIONES CUCHILLA CENTRAL  
 ZENTRALMESSER EINSTELLUNGEN

DALL' ATTREZZO  
 DESDE EL APERO  
 DE L'OUTIL  
 FROM IMPLEMENT  
 AB ARBEITSGERÄET

★ N.

AGGIORNAMENTO  
 APLAZAMIENTO  
 MISE A JOUR  
 REVISION  
 ANPASSUNG

|         |   |   |      |
|---------|---|---|------|
| 09      | C | 1 | Rev. |
| 10/2011 |   |   | DATE |

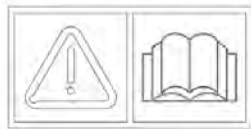


| Pos.      | Id        | Q.ty | Description                    | Note |
|-----------|-----------|------|--------------------------------|------|
| 3111216   | 3111216   | 1    | SCREW TE M10X70 UNI 5739 8G    |      |
| 31112282  | 31112282  | 1    | SCREW TE M12X65 UNI 5739 8G    |      |
| 31121009  | 31121009  | 1    | SCREW TBCEI M10X35 ISO 7380    |      |
| 31201210  | 31201210  | 1    | NUT M10                        |      |
| 31241105  | 31241105  | 1    | SELFLOCK NUT M10               |      |
| 31241126  | 31241126  | 1    | SELFLOCK NUT M12               |      |
| 34110023  | 34110023  | 1    | SPLIT PIN A2,5X22 UNI 1336     |      |
| 34213022  | 34213022  | 1    | ROLL PIN                       |      |
| 55142076  | 55142076  | 1    | KNOB                           |      |
| 55232116  | 55232116  | 1    | SUPPORT                        |      |
| 57132114  | 57132114  | 1    | SCREW NUT                      |      |
| 56132115Z | 56132115Z | 1    | BOCCOLA (gestita 56132115 ZNT) |      |
| 56132117Z | 56132117Z | 1    | PIN                            |      |
| 56132397Z | 56132397Z | 1    | SMALL BLOCK                    |      |
| 56132398Z | 56132398Z | 1    | SPACER                         |      |
| 56159311N | 56159311N | 1    | ROD                            |      |
| 561C0022Z | 561C0022Z | 1    | INTERNAL TUBE                  |      |
| 58059310Z | 58059310Z | 1    | SPRING                         |      |
| 59032110Z | 59032110Z | 1    | ROD                            |      |
| 590C0018Z | 590C0018Z | 1    | TRANSMISSION                   |      |

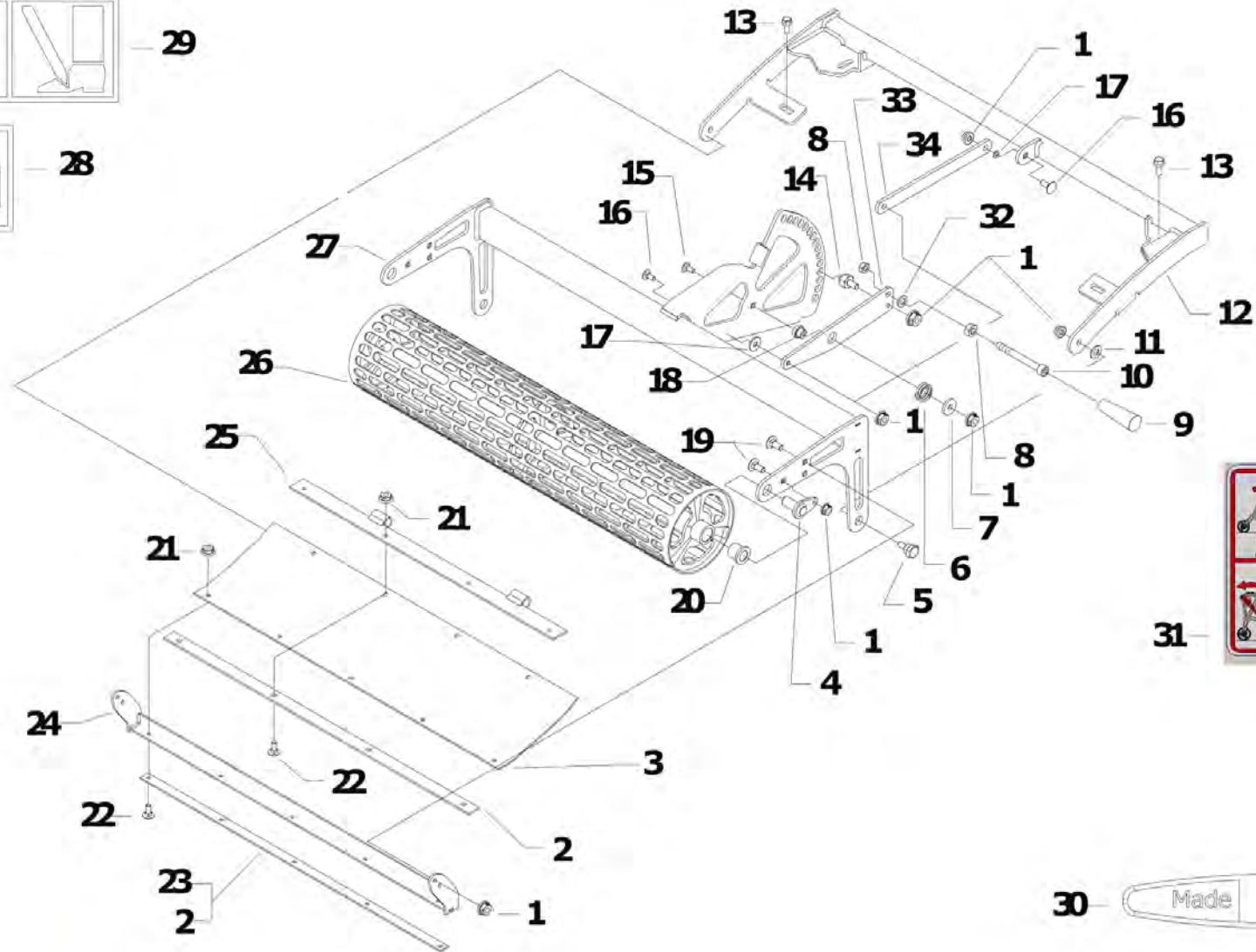




29



28



31



30

 [Click for info](#)

★ = new part



| Pos. | Id        | Q.ty | Description                  | Note  |
|------|-----------|------|------------------------------|-------|
| 1    | 31241084  |      | SELFLOCK NUT M8 6S           |       |
| 2    | 561C0963Z |      | STOP                         | CM 80 |
| 2    | 561C2410Z |      | RITEGNO PDR 66               | CM 66 |
| 3    | 580C2386  |      | TELO PARASASSI               | 80 CM |
| 3    | 580C2408  |      | TELO PARASASSI PDR 66        | CM 66 |
| 4    | 590C2376Z |      | PERNO ASSE RULLO C.TO        |       |
| 5    | 563C2362Z |      | PERNO TELAIO SUPERIORE       |       |
| 6    | 58020357H |      | SPRING                       |       |
| 7    | 56156288Z |      | SPECIAL WASHER SP.4          |       |
| 8    | 31211100  |      | NUT M10                      |       |
| 9    | 30000800  |      | GRIP                         |       |
| 10   | 31152109  |      | SCREW TCEI M10X90 UNI 5931   |       |
| 11   | 31411150  |      | WASHER 15x28                 |       |
| 12   | 590C2351H |      | TELAIO SUPERIORE C.TO        | 80 CM |
| 12   | 590C2401H |      | TELAIO SUPERIORE C.TO PDR 66 | 66 CM |
| 13   | 31112170  |      | SCREW TE C/F M8X20 DIN 6921  |       |
| 14   | 563C2371Z |      | CAP                          |       |
| 15   | 31122805  |      | SCREW M8X40 UNI 5731         |       |
| 16   | 31121802  |      | SCREW TTQ M8X25 UNI 5731     |       |
| 17   | 31411090  |      | WASHER 9x24                  |       |
| 18   | 563C2375Z |      | LEVER PIN                    |       |
| 19   | 31121801  |      | SCREW TTQ M8X20 UNI 5731     |       |
| 20   | 30030018  |      | BUSHING 18x25x25             |       |
| 21   | 31241065  |      | SELFLOCK NUT M6              |       |
| 22   | 31121558  |      | SCREW TTQ M6X16 UNI 5731     |       |
| 23   | 561C0939Z |      | STOP                         | 80 CM |
| 24   | 590C2363H |      | TEGOLO COMPLETO              | 80 CM |
| 24   | 590C2413H |      | TEGOLO COMPLETO PDR 66       | 66 CM |
| 25   | 590C2368H |      | PIATTINA CON OCCHIELLI C.TA  | 80 CM |



| Pos. | Id        | Q.ty | Description                   | Note  |
|------|-----------|------|-------------------------------|-------|
| 25   | 590C2411H |      | PIATTO CON OCCH. C.TO PDR 66  | 66 CM |
| 26   | 590C2380N |      | RULLO COMPLETO                | 80 CM |
| 26   | 590C2405N |      | RULLO COMPLETO PDR 66         | 66 CM |
| 27   | 590C2358H |      | TELAIO RINVIO COMPLETO        | 80 CM |
| 27   | 590C2403H |      | TELAIO RINVIO COMPLETO PDR 66 | 66 CM |
| 28   | 58057724  |      | DECAL                         |       |
| 29   | 58057769  |      | DECAL                         |       |
| 30   | 530C0056  |      | DECAL MADE IN ITALY           |       |
| 31   | 580C2391  |      | ADESIVA REGOLAZIONE RULLO     |       |
| 32   | 31411104  |      | WASHER 10,5x18                |       |
| 33   | 561C2370R |      | LEVA REGOLAZIONE RULLO        |       |
| 34   | 561C2373H |      | PLATE                         |       |





| <b>Id</b> | <b>drawing</b>  | <b>Pos.</b> | <b>Q.ty</b> |
|-----------|-----------------|-------------|-------------|
| 30000001  | 07B.03.A0001_01 | 31          |             |
|           | 07B.03.A0001_02 | 31          |             |
|           | 07B.03.A0001_03 | 31          |             |
|           | 07B.03.A0001_04 | 31          |             |
|           | 07B.03.A0001_05 | 31          |             |
|           | 07B_0_141122    | 30000001    | 1           |
| 30000071  | 07A.03.A0001_04 | 7           |             |
| 30000072  | 07.03.A0001_07  | 3           |             |
|           | 07.03.A0001_08  | 3           |             |
|           | 07B.03.A0001_04 | 11          |             |
|           | 07B.03.A0001_05 | 11          |             |
| 30000800  | 071.03.A0001_00 | 9           |             |
| 30030018  | 071.03.A0001_00 | 20          |             |
| 30040001  | 007_0_2192      | 30040001    |             |
|           | 007_1_2219      | 30040001    |             |
|           | 007_2_2247      | 30040001    |             |
|           | 007_3_2279      | 30040001    |             |
|           | 007_4_2309      | 30040001    |             |
|           | 007_5_150985    | 30040001    | 1           |
|           | 07.03.A0001_06  | 11          |             |
|           | 07.03.A0001_07  | 11          |             |
|           | 07.03.A0001_08  | 11          |             |
|           | 07A.03.A0001_03 | 11          |             |
|           | 07A.03.A0001_04 | 11          |             |
|           | 07A_0_4950      | 30040001    |             |
|           | 07A_1_57488     | 30040001    |             |
|           | 07A_2_136129    | 30040001    | 1           |
|           | 07B.03.A0001_01 | 7           |             |
|           | 07B.03.A0001_02 | 7           |             |

| <b>Id</b> | <b>drawing</b>  | <b>Pos.</b> | <b>Q.ty</b> |
|-----------|-----------------|-------------|-------------|
|           | 07B.03.A0001_03 | 7           |             |
|           | 07B.03.A0001_04 | 7           |             |
|           | 07B.03.A0001_05 | 7           |             |
|           | 07B_0_141122    | 30040001    | 1           |
| 31111151  | 009_0_2437      | 31111151    |             |
|           | 009_1_2465      | 31111151    |             |
|           | 009_2_2495      | 31111151    |             |
| 31111216  | 08B_0_136159    | 31111216    | 1           |
|           | 09C_0_136199    | 31111216    | 1           |
|           | 09C_1_141229    | 31111216    | 1           |
| 31112090  | 007_1_2219      | 31112090    |             |
|           | 007_2_2247      | 31112090    |             |
|           | 007_3_2279      | 31112090    |             |
|           | 007_4_2309      | 31112090    |             |
|           | 007_5_150985    | 31112090    | 1           |
|           | 07.03.A0001_06  | 14          |             |
|           | 07.03.A0001_07  | 14          |             |
|           | 07.03.A0001_08  | 14          |             |
|           | 07B.03.A0001_01 | 16          |             |
|           | 07B.03.A0001_02 | 16          |             |
|           | 07B.03.A0001_03 | 16          |             |
|           | 07B.03.A0001_04 | 16          |             |
|           | 07B.03.A0001_05 | 16          |             |
|           | 07B_0_141122    | 31112090    | 1           |
| 31112093  | 007_0_2192      | 31112093    |             |
|           | 07A.03.A0001_03 | 14          |             |
|           | 07A.03.A0001_04 | 14          |             |
|           | 07A_0_4950      | 31112093    |             |
|           | 07A_1_57488     | 31112093    |             |

| <b>Id</b> | <b>drawing</b>  | <b>Pos.</b> | <b>Q.ty</b> |
|-----------|-----------------|-------------|-------------|
|           | 07A_2_136129    | 31112093    | 1           |
| 31112151  | 007_0_2192      | 31112151    |             |
|           | 007_1_2219      | 31112151    |             |
|           | 007_2_2247      | 31112151    |             |
|           | 007_3_2279      | 31112151    |             |
|           | 007_4_2309      | 31112151    |             |
|           | 007_5_150985    | 31112151    | 1           |
|           | 008_0_2341      | 31112151    |             |
|           | 008_1_2362      | 31112151    |             |
|           | 008_2_2383      | 31112151    |             |
|           | 008_3_2410      | 31112151    |             |
|           | 009_0_2437      | 31112151    |             |
|           | 009_1_2465      | 31112151    |             |
|           | 009_2_2495      | 31112151    |             |
|           | 07.03.A0001_06  | 7           |             |
|           | 07.03.A0001_07  | 7           |             |
|           | 07.03.A0001_08  | 7           |             |
|           | 07A.03.A0001_03 | 26          |             |
|           | 07A.03.A0001_04 | 26          |             |
|           | 07A_0_4950      | 31112151    |             |
|           | 07A_1_57488     | 31112151    |             |
|           | 07A_2_136129    | 31112151    | 1           |
|           | 07B.03.A0001_01 | 15          |             |
|           | 07B.03.A0001_02 | 15          |             |
|           | 07B.03.A0001_03 | 15          |             |
|           | 07B.03.A0001_04 | 15          |             |
|           | 07B.03.A0001_05 | 15          |             |
|           | 07B_0_141122    | 31112151    | 1           |
|           | 08C_0_141156    | 31112151    | 1           |



| <b>Id</b> | <b>drawing</b>  | <b>Pos.</b> | <b>Q.ty</b> |
|-----------|-----------------|-------------|-------------|
| 31112152  | 008_0_2341      | 31112152    |             |
|           | 008_1_2362      | 31112152    |             |
|           | 008_2_2383      | 31112152    |             |
|           | 008_3_2410      | 31112152    |             |
|           | 08.03.A0001_04  | 9           |             |
|           | 08C_0_141156    | 31112152    | 1           |
| 31112153  | 008_0_2341      | 31112153    |             |
|           | 008_1_2362      | 31112153    |             |
|           | 008_2_2383      | 31112153    |             |
|           | 008_3_2410      | 31112153    |             |
| 31112165  | 08.03.A0001_04  | 6           |             |
| 31112166  | 009_3_2497      | 31112166    |             |
|           | 08.03.A0001_04  | 4           |             |
| 31112167  | 08.03.A0001_04  | 3           |             |
| 31112170  | 071.03.A0001_00 | 13          |             |
| 31112171  | 009_3_2497      | 31112171    |             |
| 31112210  | 09A_0_5001      | 31112210    |             |
|           | 09B.03.A0001_02 | 8           |             |
|           | 09B_0_136178    | 31112210    | 1           |
|           | 09B_1_141187    | 31112210    | 1           |
| 31112211  | 08A_0_4977      | 31112211    |             |
|           | 08B_0_136159    | 31112211    | 1           |
|           | 08C_0_141156    | 31112211    | 1           |
| 31112216  | 08C_0_141156    | 31112216    | 1           |
| 31112219  | 008_2_2383      | 31112219    |             |
|           | 008_3_2410      | 31112219    |             |
|           | 08.03.A0001_04  | 14          |             |
| 31112264  | 08A_0_4977      | 31112264    |             |
|           | 08B_0_136159    | 31112264    | 1           |

| <b>Id</b> | <b>drawing</b>  | <b>Pos.</b> | <b>Q.ty</b> |
|-----------|-----------------|-------------|-------------|
| 31112282  | 09C_0_136199    | 31112282    | 1           |
|           | 09C_1_141229    | 31112282    | 1           |
| 31112294  | 009_0_2437      | 31112294    |             |
|           | 009_1_2465      | 31112294    |             |
|           | 009_2_2495      | 31112294    |             |
|           | 009_3_2497      | 31112294    |             |
| 31112295  | 09A_0_5001      | 31112295    |             |
|           | 09B.03.A0001_02 | 13          |             |
|           | 09B_0_136178    | 31112295    | 1           |
|           | 09B_1_141187    | 31112295    | 1           |
| 31121009  | 09C_0_136199    | 31121009    | 1           |
|           | 09C_1_141229    | 31121009    | 1           |
| 31121558  | 071.03.A0001_00 | 22          |             |
| 31121801  | 071.03.A0001_00 | 19          |             |
| 31121802  | 071.03.A0001_00 | 16          |             |
| 31122805  | 071.03.A0001_00 | 15          |             |
| 31152109  | 071.03.A0001_00 | 10          |             |
| 31201210  | 09C_0_136199    | 31201210    | 1           |
|           | 09C_1_141229    | 31201210    | 1           |
| 31211080  | 009_0_2437      | 31211080    |             |
|           | 009_1_2465      | 31211080    |             |
|           | 009_2_2495      | 31211080    |             |
| 31211100  | 071.03.A0001_00 | 8           |             |
|           | 09A_0_5001      | 31211100    |             |
|           | 09B.03.A0001_02 | 4           |             |
|           | 09B_0_136178    | 31211100    | 1           |
|           | 09B_1_141187    | 31211100    | 1           |
| 31241065  | 071.03.A0001_00 | 21          |             |
| 31241080  | 008_0_2341      | 31241080    |             |

| <b>Id</b> | <b>drawing</b>  | <b>Pos.</b> | <b>Q.ty</b> |
|-----------|-----------------|-------------|-------------|
|           | 008_1_2362      | 31241080    |             |
|           | 008_2_2383      | 31241080    |             |
|           | 008_3_2410      | 31241080    |             |
| 31241084  | 009_3_2497      | 31241084    |             |
|           | 071.03.A0001_00 | 1           |             |
|           | 08.03.A0001_04  | 1           |             |
| 31241085  | 007_0_2192      | 31241085    |             |
|           | 007_1_2219      | 31241085    |             |
|           | 007_2_2247      | 31241085    |             |
|           | 007_3_2279      | 31241085    |             |
|           | 007_4_2309      | 31241085    |             |
|           | 007_5_150985    | 31241085    | 1           |
|           | 008_0_2341      | 31241085    |             |
|           | 008_1_2362      | 31241085    |             |
|           | 008_2_2383      | 31241085    |             |
|           | 008_3_2410      | 31241085    |             |
|           | 009_0_2437      | 31241085    |             |
|           | 009_1_2465      | 31241085    |             |
|           | 009_2_2495      | 31241085    |             |
|           | 07.03.A0001_06  | 6           |             |
|           | 07.03.A0001_07  | 6           |             |
|           | 07.03.A0001_08  | 6           |             |
|           | 07B.03.A0001_01 | 14          |             |
|           | 07B.03.A0001_02 | 14          |             |
|           | 07B.03.A0001_03 | 14          |             |
|           | 07B.03.A0001_04 | 14          |             |
|           | 07B.03.A0001_05 | 14          |             |
|           | 07B_0_141122    | 31241085    | 1           |
|           | 08C_0_141156    | 31241085    | 1           |



| Id       | drawing         | Pos.     | Q.ty |
|----------|-----------------|----------|------|
| 31241100 | 008_2_2383      | 31241100 |      |
|          | 008_3_2410      | 31241100 |      |
|          | 08.03.A0001_04  | 12       |      |
|          | 08A_0_4977      | 31241100 |      |
|          | 08C_0_141156    | 31241100 | 1    |
| 31241105 | 07A.03.A0001_03 | 10       |      |
|          | 07A.03.A0001_04 | 10       |      |
|          | 07A_0_4950      | 31241105 |      |
|          | 07A_1_57488     | 31241105 |      |
|          | 07A_2_136129    | 31241105 | 1    |
|          | 08A_0_4977      | 31241105 |      |
|          | 08B_0_136159    | 31241105 | 1    |
|          | 08C_0_141156    | 31241105 | 1    |
|          | 09C_0_136199    | 31241105 | 1    |
|          | 09C_1_141229    | 31241105 | 1    |
| 31241120 | 08A_0_4977      | 31241120 |      |
|          | 08B_0_136159    | 31241120 | 1    |
|          | 09A_0_5001      | 31241120 |      |
|          | 09B.03.A0001_02 | 11       |      |
|          | 09B_0_136178    | 31241120 | 1    |
|          | 09B_1_141187    | 31241120 | 1    |
| 31241121 | 009_0_2437      | 31241121 |      |
|          | 009_1_2465      | 31241121 |      |
|          | 009_2_2495      | 31241121 |      |
|          | 009_3_2497      | 31241121 |      |
| 31241124 | 07B.03.A0001_01 | 6        |      |
|          | 07B.03.A0001_02 | 6        |      |
|          | 07B.03.A0001_03 | 6        |      |
|          | 07B.03.A0001_04 | 6        |      |

| Id       | drawing         | Pos.     | Q.ty |
|----------|-----------------|----------|------|
|          | 07B.03.A0001_05 | 6        |      |
|          | 07B_0_141122    | 31241124 | 1    |
| 31241126 | 09C_0_136199    | 31241126 | 1    |
|          | 09C_1_141229    | 31241126 | 1    |
| 31241141 | 007_0_2192      | 31241141 |      |
|          | 007_1_2219      | 31241141 |      |
|          | 007_2_2247      | 31241141 |      |
|          | 007_3_2279      | 31241141 |      |
|          | 007_4_2309      | 31241141 |      |
|          | 007_5_150985    | 31241141 | 1    |
|          | 07.03.A0001_06  | 9        |      |
|          | 07.03.A0001_07  | 9        |      |
|          | 07B.03.A0001_01 | 3        |      |
|          | 07B.03.A0001_02 | 3        |      |
|          | 07B.03.A0001_03 | 3        |      |
|          | 07B.03.A0001_04 | 3        |      |
|          | 07B_0_141122    | 31241141 | 1    |
| 31241145 | 07.03.A0001_08  | 9        |      |
|          | 07B.03.A0001_05 | 3        |      |
| 31241181 | 07A.03.A0001_03 | 1        |      |
|          | 07A.03.A0001_04 | 1        |      |
|          | 07A_0_4950      | 31241181 |      |
|          | 07A_1_57488     | 31241181 |      |
|          | 07A_2_136129    | 31241181 | 1    |
| 31312078 | 007_0_2192      | 31312078 |      |
|          | 007_1_2219      | 31312078 |      |
|          | 007_2_2247      | 31312078 |      |
|          | 007_3_2279      | 31312078 |      |
|          | 007_4_2309      | 31312078 |      |

| Id       | drawing         | Pos.     | Q.ty |
|----------|-----------------|----------|------|
|          | 007_5_150985    | 31312078 | 1    |
|          | 07.03.A0001_06  | 4        |      |
|          | 07.03.A0001_07  | 4        |      |
|          | 07.03.A0001_08  | 4        |      |
|          | 07B.03.A0001_01 | 2        |      |
|          | 07B.03.A0001_02 | 2        |      |
|          | 07B.03.A0001_03 | 2        |      |
|          | 07B.03.A0001_04 | 2        |      |
|          | 07B.03.A0001_05 | 2        |      |
|          | 07B_0_141122    | 31312078 | 1    |
| 31312101 | 07A.03.A0001_03 | 5        |      |
|          | 07A.03.A0001_04 | 5        |      |
|          | 07A_0_4950      | 31312101 |      |
|          | 07A_1_57488     | 31312101 |      |
|          | 07A_2_136129    | 31312101 | 1    |
| 31312124 | 07B.03.A0001_01 | 26       |      |
|          | 07B.03.A0001_02 | 26       |      |
|          | 07B.03.A0001_03 | 26       |      |
|          | 07B.03.A0001_04 | 26       |      |
|          | 07B.03.A0001_05 | 26       |      |
|          | 07B_0_141122    | 31312124 | 1    |
| 31400181 | 008_0_2341      | 31400181 |      |
|          | 008_1_2362      | 31400181 |      |
|          | 008_2_2383      | 31400181 |      |
|          | 008_3_2410      | 31400181 |      |
|          | 08A_0_4977      | 31400181 |      |
| 31410131 | 009_0_2437      | 31410131 |      |
|          | 009_1_2465      | 31410131 |      |
|          | 09A_0_5001      | 31410131 |      |



| Id       | drawing         | Pos.     | Q.ty |
|----------|-----------------|----------|------|
| 31411084 | 009_0_2437      | 31411084 |      |
|          | 009_1_2465      | 31411084 |      |
|          | 009_2_2495      | 31411084 |      |
| 31411090 | 071.03.A0001_00 | 17       |      |
| 31411104 | 009_0_2437      | 31411104 |      |
|          | 009_1_2465      | 31411104 |      |
|          | 009_2_2495      | 31411104 |      |
|          | 009_3_2497      | 31411104 |      |
|          | 071.03.A0001_00 | 32       |      |
|          | 08A_0_4977      | 31411104 |      |
|          | 09A_0_5001      | 31411104 |      |
|          | 09B.03.A0001_02 | 2        |      |
|          | 09B_0_136178    | 31411104 | 1    |
|          | 09B_1_141187    | 31411104 | 1    |
| 31411105 | 09A_0_5001      | 31411105 |      |
|          | 09B.03.A0001_02 | 7        |      |
|          | 09B_0_136178    | 31411105 | 1    |
|          | 09B_1_141187    | 31411105 | 1    |
| 31411150 | 071.03.A0001_00 | 11       |      |
| 31411170 | 08.03.A0001_04  | 22       |      |
|          | 08B_0_136159    | 31411170 | 1    |
|          | 08C_0_141156    | 31411170 | 1    |
| 31421083 | 007_0_2192      | 31421083 |      |
|          | 007_1_2219      | 31421083 |      |
|          | 007_2_2247      | 31421083 |      |
|          | 007_3_2279      | 31421083 |      |
|          | 007_4_2309      | 31421083 |      |
|          | 007_5_150985    | 31421083 | 1    |
|          | 009_0_2437      | 31421083 |      |

| Id       | drawing         | Pos.     | Q.ty |
|----------|-----------------|----------|------|
|          | 009_1_2465      | 31421083 |      |
|          | 009_2_2495      | 31421083 |      |
|          | 07.03.A0001_06  | 5        |      |
|          | 07.03.A0001_07  | 5        |      |
|          | 07.03.A0001_08  | 5        |      |
|          | 07A.03.A0001_03 | 25       |      |
|          | 07A.03.A0001_04 | 25       |      |
|          | 07A_0_4950      | 31421083 |      |
|          | 07A_1_57488     | 31421083 |      |
|          | 07A_2_136129    | 31421083 | 1    |
|          | 07B.03.A0001_01 | 13       |      |
|          | 07B.03.A0001_02 | 13       |      |
|          | 07B.03.A0001_03 | 13       |      |
|          | 07B.03.A0001_04 | 13       |      |
|          | 07B.03.A0001_05 | 13       |      |
|          | 07B_0_141122    | 31421083 | 1    |
| 31421101 | 07A.03.A0001_03 | 9        |      |
|          | 07A.03.A0001_04 | 9        |      |
|          | 07A_0_4950      | 31421101 |      |
|          | 07A_1_57488     | 31421101 |      |
|          | 07A_2_136129    | 31421101 | 1    |
| 31421253 | 07A.03.A0001_03 | 2        |      |
|          | 07A.03.A0001_04 | 2        |      |
|          | 07A_0_4950      | 31421253 |      |
|          | 07A_1_57488     | 31421253 |      |
|          | 07A_2_136129    | 31421253 | 1    |
| 31423084 | 008_0_2341      | 31423084 |      |
|          | 008_1_2362      | 31423084 |      |
|          | 008_2_2383      | 31423084 |      |

| Id       | drawing         | Pos.     | Q.ty |
|----------|-----------------|----------|------|
|          | 008_3_2410      | 31423084 |      |
|          | 009_0_2437      | 31423084 |      |
|          | 009_1_2465      | 31423084 |      |
|          | 009_2_2495      | 31423084 |      |
| 31423105 | 008_2_2383      | 31423105 |      |
|          | 008_3_2410      | 31423105 |      |
|          | 08.03.A0001_04  | 11       |      |
|          | 08A_0_4977      | 31423105 |      |
|          | 08C_0_141156    | 31423105 | 1    |
|          | 09A_0_5001      | 31423105 |      |
|          | 09B.03.A0001_02 | 5        |      |
|          | 09B_0_136178    | 31423105 | 1    |
|          | 09B_1_141187    | 31423105 | 1    |
| 31423130 | 009_0_2437      | 31423130 |      |
|          | 009_1_2465      | 31423130 |      |
|          | 009_2_2495      | 31423130 |      |
|          | 009_3_2497      | 31423130 |      |
|          | 08A_0_4977      | 31423130 |      |
|          | 08B_0_136159    | 31423130 | 1    |
|          | 09A_0_5001      | 31423130 |      |
| 34110023 | 09C_0_136199    | 34110023 | 1    |
|          | 09C_1_141229    | 34110023 | 1    |
| 34110028 | 009_0_2437      | 34110028 |      |
|          | 009_1_2465      | 34110028 |      |
|          | 009_2_2495      | 34110028 |      |
|          | 009_3_2497      | 34110028 |      |
|          | 09A_0_5001      | 34110028 |      |
|          | 09B.03.A0001_02 | 1        |      |
|          | 09B_0_136178    | 34110028 | 1    |



| <b>Id</b> | <b>drawing</b>  | <b>Pos.</b> | <b>Q.ty</b> |
|-----------|-----------------|-------------|-------------|
|           | 09B_1_141187    | 34110028    | 1           |
| 34110042  | 008_0_2341      | 34110042    |             |
|           | 008_1_2362      | 34110042    |             |
|           | 008_2_2383      | 34110042    |             |
|           | 008_3_2410      | 34110042    |             |
|           | 08.03.A0001_04  | 21          |             |
|           | 08A_0_4977      | 34110042    |             |
|           | 08B_0_136159    | 34110042    | 1           |
|           | 08C_0_141156    | 34110042    | 1           |
| 34211065  | 07B_0_141122    | 34211065    | 1           |
| 34213022  | 09C_0_136199    | 34213022    | 1           |
|           | 09C_1_141229    | 34213022    | 1           |
| 34213065  | 07B.03.A0001_01 | 28          |             |
|           | 07B.03.A0001_02 | 28          |             |
| 34213066  | 07B.03.A0001_03 | 28          |             |
|           | 07B.03.A0001_04 | 28          |             |
|           | 07B.03.A0001_05 | 28          |             |
| 35111052  | 07A.03.A0001_03 | 19          |             |
|           | 07A.03.A0001_04 | 19          |             |
|           | 07A_0_4950      | 35111052    |             |
|           | 07A_1_57488     | 35111052    |             |
|           | 07A_2_136129    | 35111052    | 1           |
| 35211080  | 009_0_2437      | 35211080    |             |
|           | 009_1_2465      | 35211080    |             |
|           | 009_2_2495      | 35211080    |             |
|           | 009_3_2497      | 35211080    |             |
| 37111200  | 007_0_2192      | 37111200    |             |
|           | 007_1_2219      | 37111200    |             |
|           | 007_2_2247      | 37111200    |             |

| <b>Id</b> | <b>drawing</b>  | <b>Pos.</b> | <b>Q.ty</b> |
|-----------|-----------------|-------------|-------------|
|           | 007_3_2279      | 37111200    |             |
|           | 007_4_2309      | 37111200    |             |
|           | 007_5_150985    | 37111200    | 1           |
|           | 07.03.A0001_06  | 19          |             |
|           | 07.03.A0001_07  | 19          |             |
|           | 07.03.A0001_08  | 19          |             |
|           | 07B.03.A0001_01 | 21          |             |
|           | 07B.03.A0001_02 | 21          |             |
|           | 07B.03.A0001_03 | 21          |             |
|           | 07B.03.A0001_04 | 21          |             |
|           | 07B.03.A0001_05 | 21          |             |
|           | 07B_0_141122    | 37111200    | 1           |
| 37111250  | 007_0_2192      | 37111250    |             |
|           | 007_1_2219      | 37111250    |             |
|           | 007_2_2247      | 37111250    |             |
|           | 07A.03.A0001_03 | 20          |             |
|           | 07A.03.A0001_04 | 20          |             |
|           | 07A_0_4950      | 37111250    |             |
|           | 07A_1_57488     | 37111250    |             |
|           | 07A_2_136129    | 37111250    | 1           |
| 37111255  | 007_2_2247      | 37111255    |             |
|           | 007_3_2279      | 37111255    |             |
|           | 007_4_2309      | 37111255    |             |
|           | 007_5_150985    | 37111255    | 1           |
|           | 07.03.A0001_06  | 13          |             |
|           | 07.03.A0001_07  | 13          |             |
|           | 07.03.A0001_08  | 13          |             |
|           | 07B.03.A0001_01 | 9           |             |
|           | 07B.03.A0001_02 | 9           |             |

| <b>Id</b> | <b>drawing</b>  | <b>Pos.</b> | <b>Q.ty</b> |
|-----------|-----------------|-------------|-------------|
|           | 07B.03.A0001_03 | 9           |             |
|           | 07B.03.A0001_04 | 9           |             |
|           | 07B.03.A0001_05 | 9           |             |
|           | 07B_0_141122    | 37111255    | 1           |
| 37111300  | 07A.03.A0001_03 | 13          |             |
|           | 07A.03.A0001_04 | 13          |             |
|           | 07A_0_4950      | 37111300    |             |
|           | 07A_1_57488     | 37111300    |             |
|           | 07A_2_136129    | 37111300    | 1           |
| 37141201  | 007_0_2192      | 37141201    |             |
|           | 007_1_2219      | 37141201    |             |
|           | 007_2_2247      | 37141201    |             |
|           | 007_3_2279      | 37141201    |             |
|           | 007_4_2309      | 37141201    |             |
|           | 007_5_150985    | 37141201    | 1           |
|           | 07.03.A0001_06  | 1           |             |
|           | 07.03.A0001_07  | 1           |             |
|           | 07.03.A0001_08  | 1           |             |
| 37141252  | 007_0_2192      | 37141252    |             |
|           | 007_1_2219      | 37141252    |             |
|           | 007_2_2247      | 37141252    |             |
| 37141301  | 07A.03.A0001_03 | 4           |             |
|           | 07A.03.A0001_04 | 4           |             |
|           | 07A_0_4950      | 37141301    |             |
|           | 07A_1_57488     | 37141301    |             |
|           | 07A_2_136129    | 37141301    | 1           |
| 38111554  | 007_0_2192      | 38111554    |             |
|           | 007_1_2219      | 38111554    |             |
|           | 007_2_2247      | 38111554    |             |



| Id       | drawing         | Pos.     | Q.ty |
|----------|-----------------|----------|------|
|          | 007_3_2279      | 38111554 |      |
|          | 007_4_2309      | 38111554 |      |
|          | 007_5_150985    | 38111554 | 1    |
|          | 07.03.A0001_06  | 16       |      |
|          | 07.03.A0001_07  | 16       |      |
|          | 07.03.A0001_08  | 16       |      |
|          | 07B.03.A0001_01 | 19       |      |
|          | 07B.03.A0001_02 | 19       |      |
|          | 07B.03.A0001_03 | 19       |      |
|          | 07B.03.A0001_04 | 19       |      |
|          | 07B.03.A0001_05 | 19       |      |
|          | 07B_0_141122    | 38111554 | 1    |
| 38111800 | 07A.03.A0001_03 | 17       |      |
|          | 07A.03.A0001_04 | 17       |      |
|          | 07A_0_4950      | 38111800 |      |
|          | 07A_1_57488     | 38111800 |      |
|          | 07A_2_136129    | 38111800 | 1    |
| 38112667 | 07A.03.A0001_03 | 23       |      |
|          | 07A.03.A0001_04 | 23       |      |
| 38118857 | 07.03.A0001_06  | 22       |      |
|          | 07.03.A0001_07  | 22       |      |
|          | 07.03.A0001_08  | 22       |      |
|          | 07B.03.A0001_02 | 34       |      |
|          | 07B.03.A0001_03 | 34       |      |
|          | 07B.03.A0001_04 | 34       |      |
|          | 07B.03.A0001_05 | 4        |      |
| 38202001 | 007_2_2247      | 38202001 |      |
|          | 007_3_2279      | 38202001 |      |
|          | 007_4_2309      | 38202001 |      |

| Id       | drawing         | Pos.     | Q.ty |
|----------|-----------------|----------|------|
|          | 007_5_150985    | 38202001 | 1    |
|          | 07.03.A0001_06  | 12       |      |
|          | 07.03.A0001_07  | 12       |      |
|          | 07.03.A0001_08  | 12       |      |
|          | 07B.03.A0001_01 | 8        |      |
|          | 07B.03.A0001_02 | 8        |      |
|          | 07B.03.A0001_03 | 8        |      |
|          | 07B.03.A0001_04 | 8        |      |
|          | 07B.03.A0001_05 | 8        |      |
|          | 07B_0_141122    | 38202001 | 1    |
| 38202002 | 07A.03.A0001_03 | 18       |      |
|          | 07A.03.A0001_04 | 18       |      |
|          | 07A_0_4950      | 38202002 |      |
|          | 07A_1_57488     | 38202002 |      |
|          | 07A_2_136129    | 38202002 | 1    |
| 38212503 | 007_0_2192      | 38212503 |      |
|          | 007_1_2219      | 38212503 |      |
| 38212842 | 007_0_2192      | 38212842 |      |
|          | 007_1_2219      | 38212842 |      |
|          | 007_2_2247      | 38212842 |      |
|          | 007_3_2279      | 38212842 |      |
|          | 007_4_2309      | 38212842 |      |
|          | 007_5_150985    | 38212842 | 1    |
|          | 07.03.A0001_06  | 18       |      |
|          | 07.03.A0001_07  | 18       |      |
|          | 07.03.A0001_08  | 18       |      |
|          | 07B.03.A0001_01 | 20       |      |
|          | 07B.03.A0001_02 | 20       |      |
|          | 07B.03.A0001_03 | 20       |      |

| Id        | drawing         | Pos.      | Q.ty |
|-----------|-----------------|-----------|------|
|           | 07B.03.A0001_04 | 20        |      |
|           | 07B.03.A0001_05 | 20        |      |
|           | 07B_0_141122    | 38212842  | 1    |
| 38213001  | 07A.03.A0001_03 | 12        |      |
|           | 07A.03.A0001_04 | 12        |      |
|           | 07A_0_4950      | 38213001  |      |
|           | 07A_1_57488     | 38213001  |      |
|           | 07A_2_136129    | 38213001  | 1    |
| 51148428  | 007_0_2192      | 51148428  |      |
|           | 007_1_2219      | 51148428  |      |
|           | 007_2_2247      | 51148428  |      |
|           | 007_3_2279      | 51148428  |      |
|           | 007_4_2309      | 51148428  |      |
|           | 007_5_150985    | 51148428  | 1    |
| 51148428N | 07.03.A0001_06  | 24        |      |
|           | 07.03.A0001_07  | 24        |      |
|           | 07.03.A0001_08  | 24        |      |
|           | 07B.03.A0001_01 | 24        |      |
|           | 07B.03.A0001_02 | 24        |      |
|           | 07B.03.A0001_03 | 24        |      |
|           | 07B.03.A0001_04 | 24        |      |
|           | 07B.03.A0001_05 | 24        |      |
|           | 07B_0_141122    | 51148428N | 1    |
| 51149676  | 07A.03.A0001_03 | 24        |      |
|           | 07A.03.A0001_04 | 24        |      |
|           | 07A_0_4950      | 51149676  |      |
|           | 07A_1_57488     | 51149676  |      |
|           | 07A_2_136129    | 51149676  | 1    |
| 51156703N | 07B_0_141122    | 51156703N | 1    |



| <b>Id</b> | <b>drawing</b>  | <b>Pos.</b> | <b>Q.ty</b> |
|-----------|-----------------|-------------|-------------|
| 51156710N | 07B.03.A0001_01 | 25          |             |
|           | 07B.03.A0001_02 | 25          |             |
| 511C0072N | 07B.03.A0001_03 | 25          |             |
|           | 07B.03.A0001_04 | 25          |             |
|           | 07B.03.A0001_05 | 25          |             |
| 51248405  | 007_0_2192      | 51248405    |             |
|           | 007_1_2219      | 51248405    |             |
|           | 007_2_2247      | 51248405    |             |
|           | 007_3_2279      | 51248405    |             |
|           | 007_4_2309      | 51248405    |             |
| 51249675  | 07A.03.A0001_03 | 21          |             |
|           | 07A.03.A0001_04 | 21          |             |
|           | 07A_0_4950      | 51249675    |             |
|           | 07A_1_57488     | 51249675    |             |
|           | 07A_2_136129    | 51249675    | 1           |
| 51259225  | 007_0_2192      | 51259225    |             |
|           | 007_1_2219      | 51259225    |             |
|           | 007_2_2247      | 51259225    |             |
|           | 007_3_2279      | 51259225    |             |
|           | 007_4_2309      | 51259225    |             |
|           | 007_5_150985    | 51259225    | 1           |
|           | 07.03.A0001_06  | 20          |             |
|           | 07.03.A0001_07  | 20          |             |
|           | 07.03.A0001_08  | 20          |             |
| 51259234  | 007_4_2309      | 51259234    |             |
|           | 007_5_150985    | 51259234    | 1           |
| 51259234N | 07.03.A0001_06  | 20          |             |
|           | 07.03.A0001_07  | 20          |             |
|           | 07.03.A0001_08  | 20          |             |

| <b>Id</b> | <b>drawing</b>  | <b>Pos.</b> | <b>Q.ty</b> |
|-----------|-----------------|-------------|-------------|
|           | 07B.03.A0001_01 | 22          |             |
|           | 07B.03.A0001_02 | 22          |             |
|           | 07B.03.A0001_03 | 22          |             |
|           | 07B.03.A0001_04 | 22          |             |
|           | 07B.03.A0001_05 | 22          |             |
|           | 07B_0_141122    | 51259234N   | 1           |
| 52459226  | 007_0_2192      | 52459226    |             |
|           | 007_1_2219      | 52459226    |             |
|           | 007_2_2247      | 52459226    |             |
|           | 007_3_2279      | 52459226    |             |
|           | 007_4_2309      | 52459226    |             |
|           | 007_5_150985    | 52459226    | 1           |
|           | 07.03.A0001_06  | 2           |             |
|           | 07.03.A0001_07  | 2           |             |
|           | 07.03.A0001_08  | 2           |             |
| 52459227  | 07A.03.A0001_03 | 6           |             |
|           | 07A.03.A0001_04 | 6           |             |
|           | 07A_0_4950      | 52459227    |             |
|           | 07A_1_57488     | 52459227    |             |
|           | 07A_2_136129    | 52459227    | 1           |
| 52459230  | 007_0_2192      | 52459230    |             |
|           | 007_1_2219      | 52459230    |             |
|           | 007_2_2247      | 52459230    |             |
|           | 007_3_2279      | 52459230    |             |
|           | 007_4_2309      | 52459230    |             |
|           | 007_5_150985    | 52459230    | 1           |
|           | 07.03.A0001_06  | 2           |             |
|           | 07.03.A0001_07  | 2           |             |
|           | 07.03.A0001_08  | 2           |             |

| <b>Id</b> | <b>drawing</b>  | <b>Pos.</b> | <b>Q.ty</b> |
|-----------|-----------------|-------------|-------------|
|           | 07B.03.A0001_01 | 10          |             |
|           | 07B.03.A0001_02 | 10          |             |
|           | 07B.03.A0001_03 | 10          |             |
|           | 07B.03.A0001_04 | 10          |             |
|           | 07B.03.A0001_05 | 10          |             |
|           | 07B_0_141122    | 52459230    | 1           |
| 530C0056  | 071.03.A0001_00 | 30          |             |
| 55102714  | 009_0_2437      | 55102714    |             |
|           | 009_1_2465      | 55102714    |             |
|           | 009_2_2495      | 55102714    |             |
|           | 009_3_2497      | 55102714    |             |
|           | 08A_0_4977      | 55102714    |             |
| 55142076  | 09C_0_136199    | 55142076    | 1           |
|           | 09C_1_141229    | 55142076    | 1           |
| 55142109  | 009_0_2437      | 55142109    |             |
|           | 009_1_2465      | 55142109    |             |
|           | 009_2_2495      | 55142109    |             |
|           | 009_3_2497      | 55142109    |             |
|           | 09A_0_5001      | 55142109    |             |
|           | 09B.03.A0001_02 | 9           |             |
|           | 09B_0_136178    | 55142109    | 1           |
|           | 09B_1_141187    | 55142109    | 1           |
| 55232116  | 09C_0_136199    | 55232116    | 1           |
|           | 09C_1_141229    | 55232116    | 1           |
| 55247373  | 08.03.A0001_04  | 17          |             |
|           | 08B_0_136159    | 55247373    | 1           |
|           | 08C_0_141156    | 55247373    | 1           |
| 552C0017  | 07B.03.A0001_01 | 30          |             |
|           | 07B.03.A0001_02 | 30          |             |



| <b>Id</b> | <b>drawing</b>  | <b>Pos.</b> | <b>Q.ty</b> |
|-----------|-----------------|-------------|-------------|
|           | 07B_0_141122    | 552C0017    | 1           |
| 552C0062  | 07B.03.A0001_03 | 30          |             |
|           | 07B.03.A0001_04 | 30          |             |
|           | 07B.03.A0001_05 | 30          |             |
| 56132115  | 09C_0_136199    | 56132115    | 1           |
| 56132115Z | 09C_1_141229    | 56132115Z   | 1           |
| 56132117  | 09C_0_136199    | 56132117    | 1           |
| 56132117Z | 09C_1_141229    | 56132117Z   | 1           |
| 56132397  | 09C_0_136199    | 56132397    | 1           |
| 56132397Z | 09C_1_141229    | 56132397Z   | 1           |
| 56132398  | 09C_0_136199    | 56132398    | 1           |
| 56132398Z | 09C_1_141229    | 56132398Z   | 1           |
| 56142110  | 09A_0_5001      | 56142110    |             |
|           | 09B.03.A0001_02 | 3           |             |
|           | 09B_0_136178    | 56142110    | 1           |
|           | 09B_1_141187    | 56142110    | 1           |
| 56142291  | 007_0_2192      | 56142291    |             |
|           | 007_1_2219      | 56142291    |             |
|           | 007_2_2247      | 56142291    |             |
|           | 007_3_2279      | 56142291    |             |
|           | 007_4_2309      | 56142291    |             |
|           | 007_5_150985    | 56142291    | 1           |
|           | 07.03.A0001_06  | 15          |             |
|           | 07.03.A0001_07  | 15          |             |
|           | 07.03.A0001_08  | 15          |             |
|           | 07A.03.A0001_03 | 15          |             |
|           | 07A.03.A0001_04 | 15          |             |
|           | 07A_0_4950      | 56142291    |             |
|           | 07A_1_57488     | 56142291    |             |

| <b>Id</b> | <b>drawing</b>  | <b>Pos.</b> | <b>Q.ty</b> |
|-----------|-----------------|-------------|-------------|
|           | 07A_2_136129    | 56142291    | 1           |
|           | 07B.03.A0001_01 | 17          |             |
|           | 07B.03.A0001_02 | 17          |             |
|           | 07B.03.A0001_03 | 17          |             |
|           | 07B.03.A0001_04 | 17          |             |
|           | 07B.03.A0001_05 | 17          |             |
|           | 07B_0_141122    | 56142291    | 1           |
| 56142467  | 008_0_2341      | 56142467    |             |
|           | 008_1_2362      | 56142467    |             |
|           | 008_2_2383      | 56142467    |             |
|           | 008_3_2410      | 56142467    |             |
|           | 08A_0_4977      | 56142467    |             |
| 56148438  | 007_0_2192      | 56148438    |             |
|           | 007_1_2219      | 56148438    |             |
|           | 007_2_2247      | 56148438    |             |
|           | 007_3_2279      | 56148438    |             |
|           | 007_4_2309      | 56148438    |             |
|           | 007_5_150985    | 56148438    | 1           |
|           | 07.03.A0001_06  | 8           |             |
|           | 07.03.A0001_07  | 8           |             |
|           | 07B.03.A0001_01 | 4           |             |
|           | 07B.03.A0001_02 | 4           |             |
|           | 07B.03.A0001_03 | 4           |             |
|           | 07B.03.A0001_04 | 4           |             |
|           | 07B_0_141122    | 56148438    | 1           |
| 56148625  | 08A_0_4977      | 56148625    |             |
| 56149705  | 08A_0_4977      | 56149705    |             |
|           | 08B_0_136159    | 56149705    | 1           |
| 56149720  | 09A_0_5001      | 56149720    |             |

| <b>Id</b> | <b>drawing</b>  | <b>Pos.</b> | <b>Q.ty</b> |
|-----------|-----------------|-------------|-------------|
| 56149720B | 09B.03.A0001_02 | 6           |             |
|           | 09B_0_136178    | 56149720B   | 1           |
|           | 09B_1_141187    | 56149720B   | 1           |
| 56152053  | 009_0_2437      | 56152053    |             |
|           | 009_1_2465      | 56152053    |             |
|           | 009_2_2495      | 56152053    |             |
|           | 009_3_2497      | 56152053    |             |
| 56156288Z | 071.03.A0001_00 | 7           |             |
| 56157856  | 09B.03.A0001_02 | 12          |             |
|           | 09B_1_141187    | 56157856    | 1           |
| 56159311  | 09C_0_136199    | 56159311    | 1           |
| 56159311N | 09C_1_141229    | 56159311N   | 1           |
| 56159363  | 008_0_2341      | 56159363    |             |
|           | 008_1_2362      | 56159363    |             |
|           | 008_2_2383      | 56159363    |             |
|           | 008_3_2410      | 56159363    |             |
|           | 08.03.A0001_04  | 8           |             |
| 56159372  | 009_0_2437      | 56159372    |             |
|           | 009_1_2465      | 56159372    |             |
|           | 009_2_2495      | 56159372    |             |
|           | 009_3_2497      | 56159372    |             |
| 56159383  | 009_0_2437      | 56159383    |             |
|           | 009_1_2465      | 56159383    |             |
|           | 009_2_2495      | 56159383    |             |
|           | 009_3_2497      | 56159383    |             |
| 561C0009N | 08B_0_136159    | 561C0009N   | 1           |
| 561C0013Z | 07B.03.A0001_01 | 27          |             |
|           | 07B.03.A0001_02 | 27          |             |
|           | 07B_0_141122    | 561C0013Z   | 1           |





| <b>Id</b> | <b>drawing</b>  | <b>Pos.</b> | <b>Q.ty</b> |
|-----------|-----------------|-------------|-------------|
| 561C0022Z | 08B_0_136159    | 561C0022Z   | 1           |
|           | 08C_0_141156    | 561C0022Z   | 1           |
|           | 09C_0_136199    | 561C0022Z   | 1           |
|           | 09C_1_141229    | 561C0022Z   | 1           |
| 561C0064Z | 07B.03.A0001_03 | 27          |             |
|           | 07B.03.A0001_04 | 27          |             |
|           | 07B.03.A0001_05 | 27          |             |
| 561C0107N | 08C_0_141156    | 561C0107N   | 1           |
| 561C0108N | 08C_0_141156    | 561C0108N   | 1           |
| 561C0113B | 09B_1_141187    | 561C0113B   | 1           |
| 561C0123B | 09B.03.A0001_02 | 6           |             |
| 561C0939Z | 071.03.A0001_00 | 23          |             |
| 561C0963Z | 071.03.A0001_00 | 2           |             |
| 561C2370R | 071.03.A0001_00 | 33          |             |
| 561C2373H | 071.03.A0001_00 | 34          |             |
| 561C2410Z | 071.03.A0001_00 | 2           |             |
| 563C2362Z | 071.03.A0001_00 | 5           |             |
| 563C2371Z | 071.03.A0001_00 | 14          |             |
| 563C2375Z | 071.03.A0001_00 | 18          |             |
| 56458941  | 007_0_2192      | 56458941    |             |
|           | 007_1_2219      | 56458941    |             |
|           | 007_2_2247      | 56458941    |             |
|           | 007_3_2279      | 56458941    |             |
|           | 007_4_2309      | 56458941    |             |
|           | 007_5_150985    | 56458941    | 1           |
|           | 07.03.A0001_06  | 17          |             |
|           | 07.03.A0001_07  | 17          |             |
|           | 07.03.A0001_08  | 17          |             |
|           | 07B.03.A0001_01 | 18          |             |

| <b>Id</b> | <b>drawing</b>  | <b>Pos.</b> | <b>Q.ty</b> |
|-----------|-----------------|-------------|-------------|
|           | 07B.03.A0001_02 | 18          |             |
|           | 07B.03.A0001_03 | 18          |             |
|           | 07B.03.A0001_04 | 18          |             |
|           | 07B.03.A0001_05 | 18          |             |
|           | 07B_0_141122    | 56458941    | 1           |
| 56458944  | 07A.03.A0001_03 | 16          |             |
|           | 07A.03.A0001_04 | 16          |             |
|           | 07A_0_4950      | 56458944    |             |
|           | 07A_1_57488     | 56458944    |             |
|           | 07A_2_136129    | 56458944    | 1           |
| 56549707  | 08A_0_4977      | 56549707    |             |
|           | 08B_0_136159    | 56549707    | 1           |
| 56549708  | 08A_0_4977      | 56549708    |             |
|           | 08B_0_136159    | 56549708    | 1           |
| 57132114  | 09C_0_136199    | 57132114    | 1           |
|           | 09C_1_141229    | 57132114    | 1           |
| 58002052  | 008_0_2341      | 58002052    |             |
|           | 008_1_2362      | 58002052    |             |
|           | 008_2_2383      | 58002052    |             |
|           | 008_3_2410      | 58002052    |             |
|           | 08.03.A0001_04  | 23          |             |
|           | 08A_0_4977      | 58002052    |             |
|           | 08B_0_136159    | 58002052    | 1           |
|           | 08C_0_141156    | 58002052    | 1           |
| 58020357H | 071.03.A0001_00 | 6           |             |
| 58042468  | 008_0_2341      | 58042468    |             |
|           | 008_1_2362      | 58042468    |             |
|           | 008_2_2383      | 58042468    |             |
|           | 008_3_2410      | 58042468    |             |

| <b>Id</b> | <b>drawing</b>  | <b>Pos.</b> | <b>Q.ty</b> |
|-----------|-----------------|-------------|-------------|
|           | 08A_0_4977      | 58042468    |             |
| 58046922  | 09A_0_5001      | 58046922    |             |
|           | 09B.03.A0001_02 | 19          |             |
|           | 09B_0_136178    | 58046922    | 1           |
|           | 09B_1_141187    | 58046922    | 1           |
| 58048433  | 008_2_2383      | 58048433    |             |
|           | 008_3_2410      | 58048433    |             |
|           | 08.03.A0001_04  | 16          |             |
| 58048434  | 008_2_2383      | 58048434    |             |
|           | 008_3_2410      | 58048434    |             |
|           | 08.03.A0001_04  | 13          |             |
| 58049677  | 07A_0_4950      | 58049677    |             |
|           | 07A_1_57488     | 58049677    |             |
|           | 07A_2_136129    | 58049677    | 1           |
| 58049696  | 07A.03.A0001_03 | 7           |             |
|           | 07A_0_4950      | 58049696    |             |
|           | 07A_1_57488     | 58049696    |             |
|           | 07A_2_136129    | 58049696    | 1           |
| 58049859  | 007_0_2192      | 58049859    |             |
|           | 007_1_2219      | 58049859    |             |
|           | 007_2_2247      | 58049859    |             |
|           | 007_3_2279      | 58049859    |             |
|           | 007_4_2309      | 58049859    |             |
|           | 007_5_150985    | 58049859    | 1           |
|           | 07.03.A0001_06  | 3           |             |
|           | 07B.03.A0001_01 | 11          |             |
|           | 07B.03.A0001_02 | 11          |             |
|           | 07B.03.A0001_03 | 11          |             |
|           | 07B_0_141122    | 58049859    | 1           |



| Id       | drawing         | Pos.     | Q.ty |
|----------|-----------------|----------|------|
| 58050533 | 08A_0_4977      | 58050533 |      |
| 58051126 | 09A_0_5001      | 58051126 |      |
| 58052050 | 009_0_2437      | 58052050 |      |
|          | 009_1_2465      | 58052050 |      |
|          | 009_2_2495      | 58052050 |      |
|          | 009_3_2497      | 58052050 |      |
| 58056646 | 07B.03.A0001_01 | 29       |      |
|          | 07B.03.A0001_02 | 29       |      |
|          | 07B.03.A0001_03 | 29       |      |
|          | 07B.03.A0001_04 | 29       |      |
|          | 07B.03.A0001_05 | 29       |      |
|          | 07B_0_141122    | 58056646 | 1    |
| 58057724 | 071.03.A0001_00 | 28       |      |
|          | 09A_0_5001      | 58057724 |      |
|          | 09B.03.A0001_02 | 20       |      |
|          | 09B_0_136178    | 58057724 | 1    |
|          | 09B_1_141187    | 58057724 | 1    |
| 58057769 | 071.03.A0001_00 | 29       |      |
| 58059275 | 008_0_2341      | 58059275 |      |
|          | 008_1_2362      | 58059275 |      |
|          | 008_2_2383      | 58059275 |      |
|          | 008_3_2410      | 58059275 |      |
|          | 08.03.A0001_04  | 7        |      |
| 58059276 | 008_0_2341      | 58059276 |      |
|          | 008_1_2362      | 58059276 |      |
|          | 008_2_2383      | 58059276 |      |
|          | 008_3_2410      | 58059276 |      |
|          | 08.03.A0001_04  | 5        |      |
| 58059277 | 008_0_2341      | 58059277 |      |

| Id        | drawing         | Pos.      | Q.ty |
|-----------|-----------------|-----------|------|
|           | 008_1_2362      | 58059277  |      |
|           | 008_2_2383      | 58059277  |      |
|           | 008_3_2410      | 58059277  |      |
|           | 08.03.A0001_04  | 7         |      |
| 58059278  | 008_0_2341      | 58059278  |      |
|           | 008_1_2362      | 58059278  |      |
|           | 008_2_2383      | 58059278  |      |
|           | 008_3_2410      | 58059278  |      |
|           | 08.03.A0001_04  | 5         |      |
| 58059310  | 09C_0_136199    | 58059310  | 1    |
| 58059310Z | 09C_1_141229    | 58059310Z | 1    |
| 58059475  | 007_1_2219      | 58059475  |      |
|           | 007_2_2247      | 58059475  |      |
|           | 007_3_2279      | 58059475  |      |
|           | 007_4_2309      | 58059475  |      |
|           | 007_5_150985    | 58059475  | 1    |
|           | 07.03.A0001_06  | 21        |      |
|           | 07.03.A0001_07  | 21        |      |
|           | 07.03.A0001_08  | 21        |      |
| 580C0039  | 09B.03.A0001_02 | 17        |      |
|           | 09B_0_136178    | 580C0039  | 1    |
|           | 09B_1_141187    | 580C0039  | 1    |
| 580C0054  | 09B.03.A0001_02 | 18        |      |
|           | 09B_0_136178    | 580C0054  | 1    |
|           | 09B_1_141187    | 580C0054  | 1    |
| 580C2386  | 071.03.A0001_00 | 3         |      |
| 580C2391  | 071.03.A0001_00 | 31        |      |
| 580C2408  | 071.03.A0001_00 | 3         |      |
| 58157405  | 09B.03.A0001_02 | 16        |      |

| Id        | drawing         | Pos.      | Q.ty |
|-----------|-----------------|-----------|------|
|           | 09B_0_136178    | 58157405  | 1    |
|           | 09B_1_141187    | 58157405  | 1    |
| 59032110  | 09C_0_136199    | 59032110  | 1    |
| 59032110Z | 09C_1_141229    | 59032110Z | 1    |
| 59047370  | 08B_0_136159    | 59047370  | 1    |
| 59047370Z | 08.03.A0001_04  | 20        |      |
|           | 08C_0_141156    | 59047370Z | 1    |
| 59047377  | 08.03.A0001_04  | 18        |      |
|           | 08B_0_136159    | 59047377  | 1    |
|           | 08C_0_141156    | 59047377  | 1    |
| 59048408  | 007_0_2192      | 59048408  |      |
|           | 007_1_2219      | 59048408  |      |
|           | 007_2_2247      | 59048408  |      |
|           | 007_3_2279      | 59048408  |      |
|           | 007_4_2309      | 59048408  |      |
|           | 007_5_150985    | 59048408  | 1    |
|           | 07.03.A0001_06  | 23        |      |
|           | 07.03.A0001_07  | 23        |      |
|           | 07.03.A0001_08  | 23        |      |
|           | 07B.03.A0001_01 | 23        |      |
|           | 07B.03.A0001_02 | 23        |      |
|           | 07B.03.A0001_03 | 23        |      |
|           | 07B.03.A0001_04 | 23        |      |
|           | 07B.03.A0001_05 | 23        |      |
|           | 07B_0_141122    | 59048408  | 1    |
| 59048422  | 008_0_2341      | 59048422  |      |
|           | 008_1_2362      | 59048422  |      |
|           | 008_2_2383      | 59048422  |      |
|           | 008_3_2410      | 59048422  |      |



| <b>Id</b> | <b>drawing</b>  | <b>Pos.</b> | <b>Q.ty</b> |
|-----------|-----------------|-------------|-------------|
|           | 08.03.A0001_04  | 15          |             |
| 59048435  | 007_0_2192      | 59048435    |             |
|           | 007_1_2219      | 59048435    |             |
|           | 007_2_2247      | 59048435    |             |
|           | 007_3_2279      | 59048435    |             |
|           | 007_4_2309      | 59048435    |             |
|           | 007_5_150985    | 59048435    | 1           |
|           | 07.03.A0001_06  | 27          |             |
|           | 07.03.A0001_07  | 27          |             |
|           | 07.03.A0001_08  | 8           |             |
| 59049687  | 07A.03.A0001_03 | 3           |             |
|           | 07A.03.A0001_03 | 27          |             |
|           | 07A.03.A0001_04 | 3           |             |
|           | 07A.03.A0001_04 | 27          |             |
|           | 07A_0_4950      | 59049687    |             |
|           | 07A_1_57488     | 59049687    |             |
|           | 07A_2_136129    | 59049687    | 1           |
| 59049690  | 08A_0_4977      | 59049690    |             |
|           | 08B_0_136159    | 59049690    | 1           |
| 59049697  | 07A_0_4950      | 59049697    |             |
|           | 07A_1_57488     | 59049697    |             |
| 59049702  | 08A_0_4977      | 59049702    |             |
|           | 08B_0_136159    | 59049702    | 1           |
| 59049722  | 09A_0_5001      | 59049722    |             |
| 59049722B | 09B.03.A0001_02 | 21          |             |
|           | 09B_0_136178    | 59049722B   | 1           |
|           | 09B_1_141187    | 59049722B   | 1           |
| 59049724  | 09A_0_5001      | 59049724    |             |
| 59049725  | 09A_0_5001      | 59049725    |             |

| <b>Id</b> | <b>drawing</b>  | <b>Pos.</b> | <b>Q.ty</b> |
|-----------|-----------------|-------------|-------------|
| 59049728  | 09A_0_5001      | 59049728    |             |
| 59049734  | 08A_0_4977      | 59049734    |             |
| 59049736  | 07A.03.A0001_03 | 22          |             |
|           | 07A.03.A0001_04 | 22          |             |
|           | 07A_0_4950      | 59049736    |             |
|           | 07A_1_57488     | 59049736    |             |
|           | 07A_2_136129    | 59049736    | 1           |
| 59049850  | 008_0_2341      | 59049850    |             |
|           | 008_1_2362      | 59049850    |             |
|           | 008_2_2383      | 59049850    |             |
|           | 008_3_2410      | 59049850    |             |
| 59049850N | 08.03.A0001_04  | 2           |             |
|           | 08C_0_141156    | 59049850N   | 1           |
| 59049853  | 007_0_2192      | 59049853    |             |
|           | 007_1_2219      | 59049853    |             |
|           | 007_2_2247      | 59049853    |             |
|           | 007_3_2279      | 59049853    |             |
|           | 007_4_2309      | 59049853    |             |
|           | 007_5_150985    | 59049853    | 1           |
|           | 07.03.A0001_06  | 26          |             |
|           | 07.03.A0001_07  | 26          |             |
|           | 07.03.A0001_08  | 26          |             |
| 59049863  | 009_0_2437      | 59049863    |             |
|           | 009_1_2465      | 59049863    |             |
|           | 009_2_2495      | 59049863    |             |
|           | 009_3_2497      | 59049863    |             |
| 59059231  | 008_0_2341      | 59059231    |             |
|           | 008_1_2362      | 59059231    |             |
|           | 008_2_2383      | 59059231    |             |

| <b>Id</b> | <b>drawing</b> | <b>Pos.</b> | <b>Q.ty</b> |
|-----------|----------------|-------------|-------------|
|           | 008_3_2410     | 59059231    |             |
|           | 08.03.A0001_04 | 10          |             |
| 59059282  | 007_2_2247     | 59059282    |             |
|           | 007_3_2279     | 59059282    |             |
|           | 007_4_2309     | 59059282    |             |
|           | 007_5_150985   | 59059282    | 1           |
|           | 07.03.A0001_06 | 10          |             |
|           | 07.03.A0001_07 | 10          |             |
|           | 07.03.A0001_08 | 10          |             |
| 59059283  | 008_2_2383     | 59059283    |             |
|           | 008_3_2410     | 59059283    |             |
|           | 08.03.A0001_04 | 24          |             |
| 59059356  | 009_0_2437     | 59059356    |             |
|           | 009_1_2465     | 59059356    |             |
|           | 009_2_2495     | 59059356    |             |
|           | 009_3_2497     | 59059356    |             |
| 59059360  | 009_1_2465     | 59059360    |             |
|           | 009_2_2495     | 59059360    |             |
|           | 009_3_2497     | 59059360    |             |
| 59059365  | 009_0_2437     | 59059365    |             |
|           | 009_1_2465     | 59059365    |             |
|           | 009_2_2495     | 59059365    |             |
|           | 009_3_2497     | 59059365    |             |
| 59059370  | 009_0_2437     | 59059370    |             |
|           | 009_1_2465     | 59059370    |             |
|           | 009_2_2495     | 59059370    |             |
|           | 009_3_2497     | 59059370    |             |
| 59059379  | 009_0_2437     | 59059379    |             |
|           | 009_1_2465     | 59059379    |             |



| <b>Id</b> | <b>drawing</b>  | <b>Pos.</b> | <b>Q.ty</b> |
|-----------|-----------------|-------------|-------------|
|           | 009_2_2495      | 59059379    |             |
|           | 009_3_2497      | 59059379    |             |
| 59059380  | 009_0_2437      | 59059380    |             |
|           | 009_1_2465      | 59059380    |             |
|           | 009_2_2495      | 59059380    |             |
|           | 009_3_2497      | 59059380    |             |
| 59059381  | 009_0_2437      | 59059381    |             |
|           | 009_1_2465      | 59059381    |             |
|           | 009_2_2495      | 59059381    |             |
| 59059382  | 009_1_2465      | 59059382    |             |
|           | 009_2_2495      | 59059382    |             |
| 59059384  | 009_3_2497      | 59059384    |             |
| 59059385  | 009_3_2497      | 59059385    |             |
| 590C0006B | 09B.03.A0001_02 | 10          |             |
|           | 09B_0_136178    | 590C0006B   | 1           |
|           | 09B_1_141187    | 590C0006B   | 1           |
| 590C0014B | 09B.03.A0001_02 | 15          |             |
|           | 09B_0_136178    | 590C0014B   | 1           |
|           | 09B_1_141187    | 590C0014B   | 1           |
| 590C0018Z | 09C_0_136199    | 590C0018Z   | 1           |
|           | 09C_1_141229    | 590C0018Z   | 1           |
| 590C0026N | 08.03.A0001_04  | 19          |             |
|           | 08B_0_136159    | 590C0026N   | 1           |
|           | 08C_0_141156    | 590C0026N   | 1           |
| 590C0037N | 07A.03.A0001_03 | 8           |             |
|           | 07A.03.A0001_04 | 8           |             |
|           | 07A_2_136129    | 590C0037N   | 1           |
| 590C0047B | 09B_0_136178    | 590C0047B   | 1           |
| 590C0102N | 07B.03.A0001_01 | 5           |             |

| <b>Id</b> | <b>drawing</b>  | <b>Pos.</b> | <b>Q.ty</b> |
|-----------|-----------------|-------------|-------------|
|           | 07B.03.A0001_02 | 5           |             |
|           | 07B.03.A0001_03 | 5           |             |
|           | 07B.03.A0001_04 | 5           |             |
|           | 07B.03.A0001_05 | 5           |             |
|           | 07B_0_141122    | 590C0102N   | 1           |
| 590C0104N | 07B.03.A0001_01 | 12          |             |
|           | 07B.03.A0001_02 | 12          |             |
|           | 07B.03.A0001_03 | 12          |             |
|           | 07B.03.A0001_04 | 12          |             |
|           | 07B.03.A0001_05 | 12          |             |
|           | 07B_0_141122    | 590C0104N   | 1           |
| 590C0109N | 08C_0_141156    | 590C0109N   | 1           |
| 590C0114B | 09B_1_141187    | 590C0114B   | 1           |
| 590C0120B | 09B.03.A0001_02 | 14          |             |
|           | 09B_1_141187    | 590C0120B   | 1           |
| 590C0121B | 09B.03.A0001_02 | 21          |             |
| 590C2351H | 071.03.A0001_00 | 12          |             |
| 590C2358H | 071.03.A0001_00 | 27          |             |
| 590C2363H | 071.03.A0001_00 | 24          |             |
| 590C2368H | 071.03.A0001_00 | 25          |             |
| 590C2376Z | 071.03.A0001_00 | 4           |             |
| 590C2380N | 071.03.A0001_00 | 26          |             |
| 590C2401H | 071.03.A0001_00 | 12          |             |
| 590C2403H | 071.03.A0001_00 | 27          |             |
| 590C2405N | 071.03.A0001_00 | 26          |             |
| 590C2411H | 071.03.A0001_00 | 25          |             |
| 590C2413H | 071.03.A0001_00 | 24          |             |
| 59290858  | 007_2_2247      | 59290858    |             |
|           | 007_3_2279      | 59290858    |             |

| <b>Id</b> | <b>drawing</b>  | <b>Pos.</b> | <b>Q.ty</b> |
|-----------|-----------------|-------------|-------------|
|           | 007_4_2309      | 59290858    |             |
|           | 007_5_150985    | 59290858    | 1           |
|           | 07.03.A0001_06  | 25          |             |
|           | 07.03.A0001_07  | 25          |             |
|           | 07.03.A0001_08  | 25          |             |
| 59290859  | 007_2_2247      | 59290859    |             |
|           | 007_3_2279      | 59290859    |             |
|           | 007_4_2309      | 59290859    |             |
|           | 007_5_150985    | 59290859    | 1           |
|           | 07.03.A0001_06  | 25          |             |
|           | 07.03.A0001_07  | 25          |             |
|           | 07.03.A0001_08  | 25          |             |
| 59290897  | 07A.03.A0001_03 | 28          |             |
|           | 07A.03.A0001_04 | 28          |             |
|           | 07A_2_136129    | 59290897    | 1           |
| 592C0118  | 07B.03.A0001_01 | 33          |             |
|           | 07B.03.A0001_02 | 33          |             |
|           | 07B.03.A0001_03 | 33          |             |
|           | 07B.03.A0001_04 | 33          |             |
|           | 07B.03.A0001_05 | 33          |             |
|           | 07B_0_141122    | 592C0118    | 1           |
| 59990108  | 07A_1_57488     | 59990108    | 1           |
| 92242465  | 008_0_2341      | 92242465    |             |
|           | 008_1_2362      | 92242465    |             |
|           | 008_2_2383      | 92242465    |             |
|           | 008_3_2410      | 92242465    |             |
|           | 08A_0_4977      | 92242465    |             |
| 922C0027  | 08.03.A0001_04  | 25          |             |
|           | 08B_0_136159    | 922C0027    | 1           |



| <b>Id</b>   | <b>drawing</b>  | <b>Pos.</b> | <b>Q.ty</b> |
|-------------|-----------------|-------------|-------------|
|             | 08C_0_141156    | 922C0027    | 1           |
| 922C0071    | 07B.03.A0001_03 | 32          |             |
|             | 07B.03.A0001_04 | 32          |             |
|             | 07B.03.A0001_05 | 32          |             |
| 922C0119    | 07B.03.A0001_01 | 32          |             |
|             | 07B.03.A0001_02 | 32          |             |
| F0496387042 | 08C_0_141156    | F0496387042 | 1           |
| F0496388042 | 08C_0_141156    | F0496388042 | 1           |
| F0812640050 | 007_4_2309      | F0812640050 |             |
|             | 007_5_150985    | F0812640050 | 1           |
|             | 07.03.A0001_06  | 1           |             |
|             | 07.03.A0001_07  | 1           |             |
|             | 07.03.A0001_08  | 1           |             |
|             | 07B.03.A0001_01 | 1           |             |
|             | 07B.03.A0001_02 | 1           |             |
|             | 07B.03.A0001_03 | 1           |             |
|             | 07B.03.A0001_04 | 1           |             |
|             | 07B.03.A0001_05 | 1           |             |
|             | 07B_0_141122    | F0812640050 | 1           |

